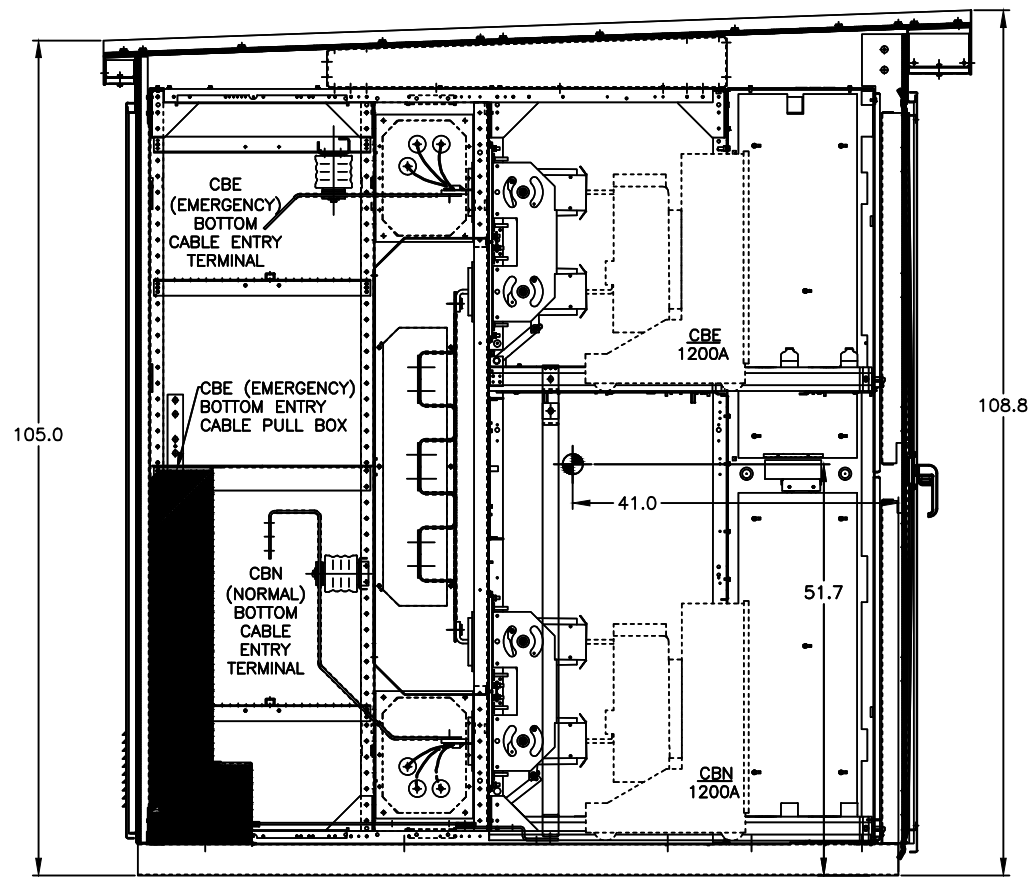
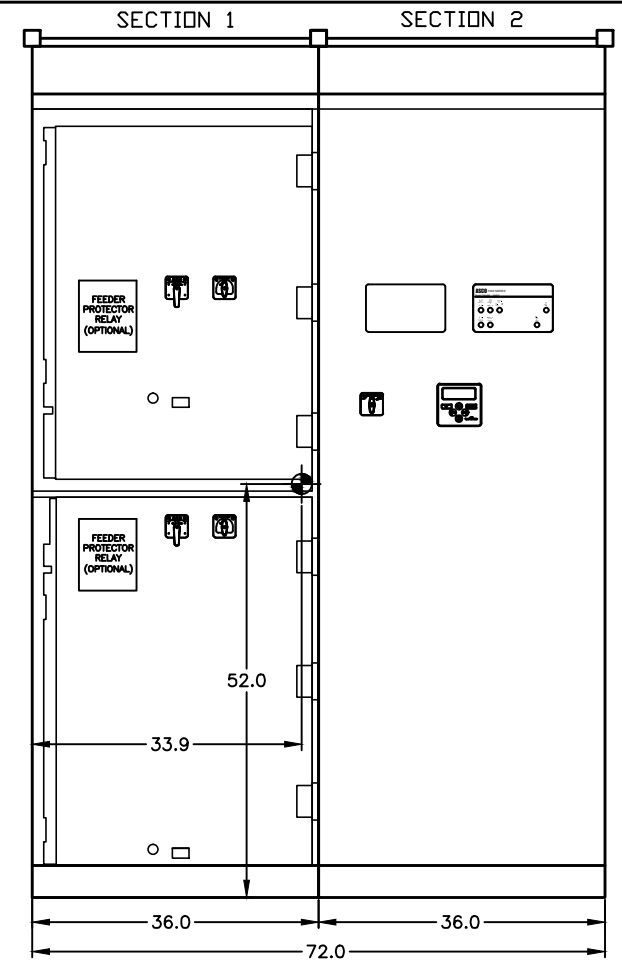


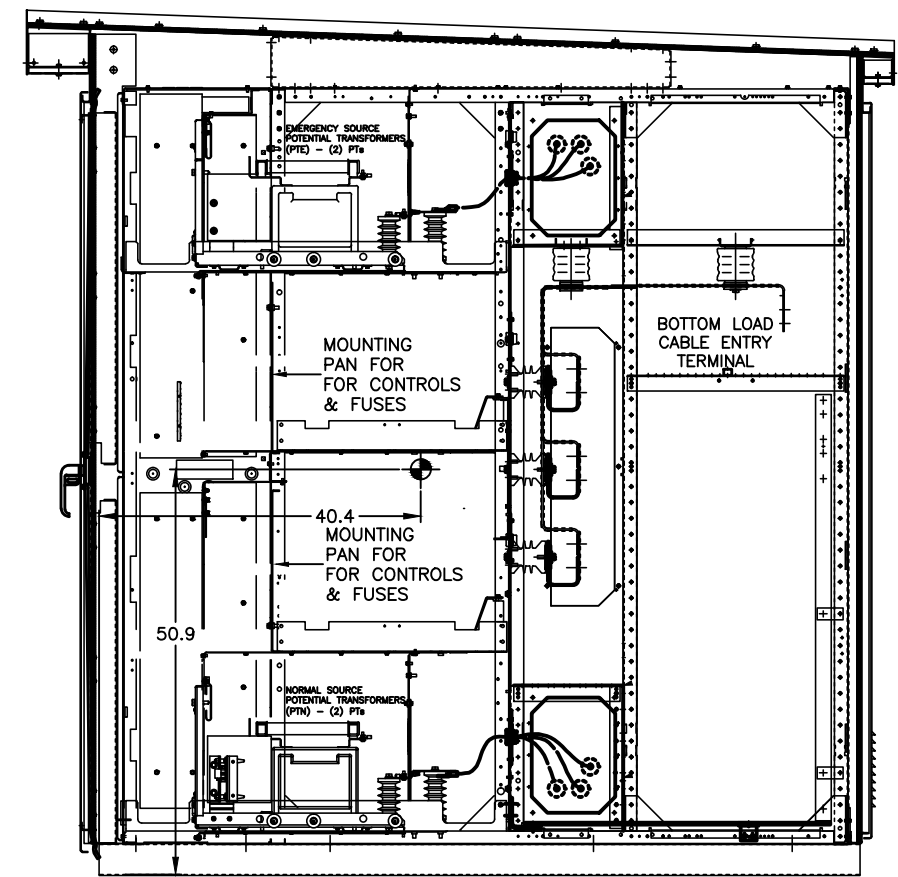
OUTLINE **ASCO** 7000 SERIES MEDIUM VOLTAGE TRANSFER SYSTEMS RATED 5kV & 15kV, 1200 AMPS, 3 PHASE/3 WIRE, TYPE 3R, NON WALK-IN



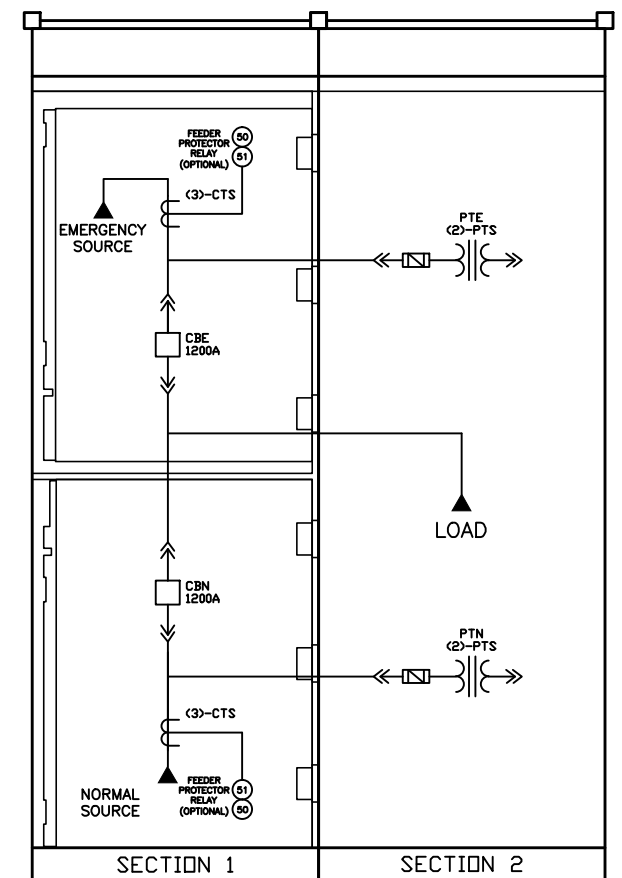
SECTION 1 VIEW
CIRCUIT BREAKER SECTION



FRONT ELEVATION
(WITHOUT OUTER DOORS)



SECTION 2 VIEW
AUXILIARY SECTION

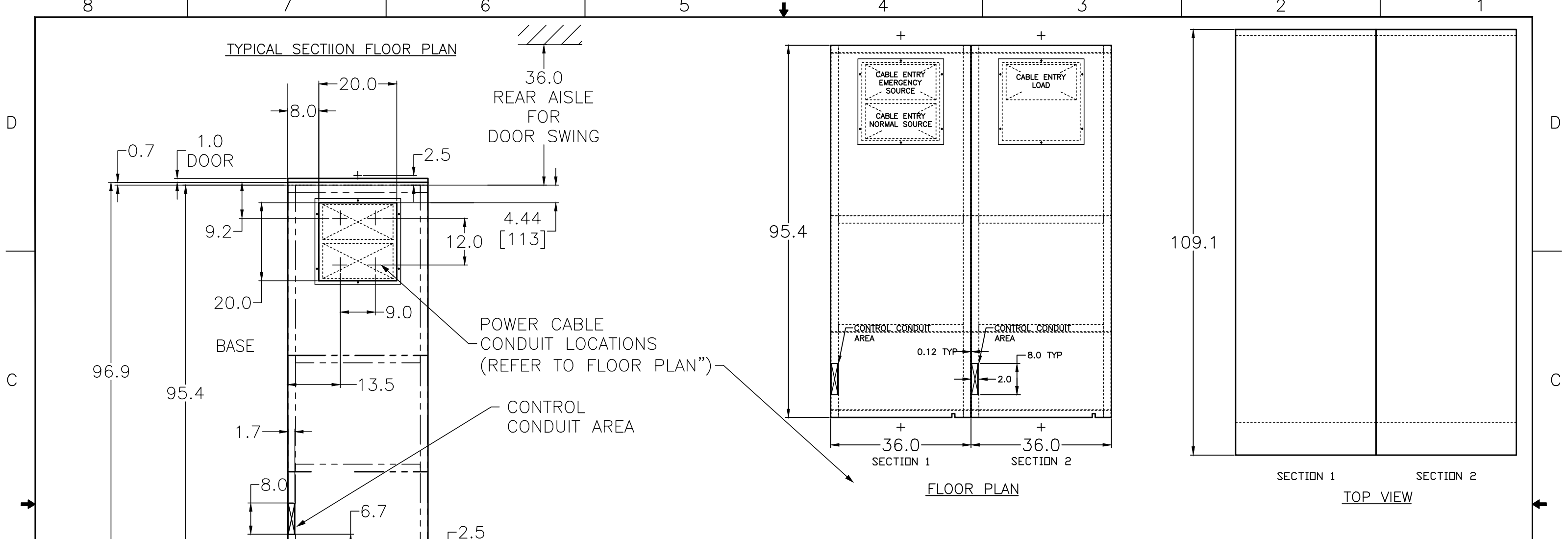


SECTION 1 SECTION 2

GENERAL NOTES:

1. LISTED TO UNDERWRITERS LABORATORY STANDARD UL 1008A, STANDARD FOR TRANSFER SWITCH EQUIPMENT OVER 600 VOLTS. REFER TO PRODUCT MARKING FOR SHORT-CIRCUIT CURRENT RATINGS.
2. TYPE 3R NON WALK-IN ENCLOSED, METAL-CLAD, DRAW-OUT SWITCHGEAR RATED 5 kV OR 15 kV AS SPECIFIED. INDIVIDUALLY GROUNDED, COMPARTMENTALIZED, STEEL STRUCTURES CONFORMING TO ANSI C37.20.2. REAR ACCESS BY PADLOCKABLE TYPE 3R DOOR WHITE INTERIOR LOW VOLTAGE PANELS
3. SQUARE-D, 1200 AMP TYPE VR DRAW-OUT VACUUM CIRCUIT BREAKERS WITH MVA RATINGS AS SPECIFIED.
4. FINISH: ANSI #61 FINISH, PROCEDURES: ZINC PHOSPHATE WITH NON-CHROMIC SEAL, RUST INHIBITED TREATMENT WITH BAKED POLYESTER COATING.
5. REQUIRED CLEARANCES:
FRONT AISLE: 72.0 INCHES (64.0 INCHES MINIMUM)
REAR AISLE: 36.0 INCHES
6. PROVIDED WITH BOTTOM CABLE ENTRANCE FOR NORMAL SOURCE, EMERGENCY SOURCE, AND LOAD AS SPECIFIED.
7. BUS SYSTEM DATA: 1200 AMPERES, SILVER PLATED COPPER, EPOXY INSULATED MAIN BUS BRACED FOR 50KA RMS SYMMETRICAL. EPOXY STAND-OFF INSULATORS. GLASS POLYESTER BETWEEN SECTIONS. BUS BARRIER BREAKER BUSHINGS IN CELL ARE POLYESTER. BARE COPPER GROUND BUS
8. HANDLING: SWITCHGEAR SECTIONS ARE FURNISHED WITH FOUR LIFTING LUGS. A CRANE SHALL BE USED WITH A SLING AND A SPREADER BAR.

PROJECT NAME:		240522	SDH	SDH	1/9/13
REV. TO SHEET	ISSUE	EDN NO.	BY	APP.	DATE
OUTLINE		TYPE 3R, NON WALK-IN			
ASCO 7000 SERIES MEDIUM VOLTAGE TRANSFER SYSTEMS		5 kV & 15 kV, 1200 AMPS, 3PH/3W			
BY	DATE	MANUFACTURING TOLERANCES TO BE IN ACCORDANCE WITH ASCO PROCEDURE MP-1-003. FOR PLASTIC PARTS SEE MP-1-003.		ASSEM. REF. NO.	COMPUTER GENERATED DRAWING
SDH	1/9/13	PROPERTY OF ASCO POWER TECHNOLOGIES. USE PERMITTED FOR OUR WORK ONLY. ALL RIGHTS OF DESIGN OR INVENTION ARE RESERVED.		SCALE	12 SIZE DS
CHECKED				DWG. NO.	943216-003
PROJECT APPROVAL				DRAWING NO.	240522
FINAL APPROVAL	SDH 1/9/13	ASCO ASCO POWER TECHNOLOGIES, L.P. FLORENNA PARK, NEW JERSEY 07932 U.S.A.		SHEET	1 OF 2



INSTALLATION-FOUNDATION REQUIREMENTS

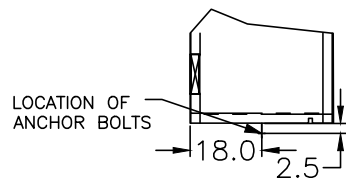
* LIFT TRUCK IS REQUIRED, 72.00 [1829] FRONT PAD EXTENSION REQUIRED. THE SWITCHGEAR MUST BE INSTALLED ON A FLAT, LEVEL SURFACE.

IT IS RECOMMENDED TO INSTALL THE SWITCHGEAR ON A CONCRETE PAD LEVELED TO 1/8 [3] IN ANY SQUARE YARD.

THE CONCRETE PAD SHOULD EXTEND 72.00 [1829]. IN FRONT OF THE SWITCHGEAR FOR MOVEMENT OF THE BREAKER LIFT TRUCK. THE REAR OF THE PAD SHOULD EXTEND A MINIMUM OF 12.00 [309]. TO ALLOW SPACE FOR THE ANCHOR BOLTS.

A MINIMUM OF 36.00 [914] IS NECESSARY ON THE RIGHT END FACING THE FRONT OF THE LINE-UP. THIS SPACE IS NECESSARY FOR DOOR CLEARANCE WHEN REMOVING THE CIRCUIT BREAKERS.

RECOMMENDED BASE CHANNEL MOUNTING



3/4 [19] ANCHOR BOLTS BY CUSTOMER



PROJECT NAME:		240522	SDH	SDH	1/9/13
REV. TO SHEET	EDN NO.	BY	APP.	DATE	
OUTLINE		TYPE 3R, NON WALK-IN			
ASCO 7000 SERIES MEDIUM VOLTAGE TRANSFER SYSTEMS		5 kV & 15 kV, 1200 AMPS, 3PH/3W			
BY	DATE	MANUFACTURING TOLERANCES TO BE IN ACCORDANCE WITH ASCO PROCEDURE MP-1-003. FOR PLASTIC PARTS SEE MP-1-005.		ASSEM. REF. NO.	COMPUTER GENERATED DRAWING
SDH	1/9/13				SCALE 1:1 SIZE DS
CHECKED		PROPERTY OF ASCO POWER TECHNOLOGIES. USE PERMITTED FOR OUR WORK ONLY. ALL RIGHTS OF DESIGN OR INVENTION ARE RESERVED.		DWG. NO.	
PROJECT APPROVAL				943216-003	
FINAL APPROVAL	SDH	1/9/13	ASCO® ASCO POWER TECHNOLOGIES, L.P. FLORENNA PARK, NEW JERSEY 07932 U.S.A.		DRAWING REV. ECH NO. 240522 SHEET 2 OF 2