

GENERAL NOTES

- TYPE 12 ENCLOSURE. FREE STANDING. CODE GAUGE STEEL. SEAMWELDED CONSTRUCTION.
- EXTERIOR DOOR HAS LOCKABLE HANDLE WITH 3-PT LATCH.
- FINISH: ANSI 61 GRAY POLYESTER SEMI GLOSS ELECTROSTATIC POWDER.
- RECOMMENDED CLEARANCES:
FRONT: 38 INCHES
- ALL BUS IS SILVER-PLATED COPPER, BASED ON 1000A PER SQ. IN. DENSITY.
- A FULL RATED NEUTRAL CONNECTION FOR EACH SOURCE AND THE LOAD IS OPTIONAL. WHEN PROVIDED IT IS IN ONE OF THE FOLLOWING FORMATS AS SPECIFIED BY THE CATALOG NO. NEUTRAL TYPE:
A. SOLID (COPPER BUS)
B. SWITCHED NEUTRAL POLE (SHOWN)
C. OVERLAPPING NEUTRAL POLE (NOT AVAILABLE ON 7ACUS/7ADUS UNITS)
- DESIGNED FOR FRONT ACCESS ONLY.
- FOR SPECIFIED TRANSFER SWITCH, REFER TO OPERATOR'S MANUAL PROVIDED WITH UNIT.

SPECIFICATIONS

- SERVICE VOLTAGE:
SYSTEM RATING: 450 AMPS, 500 AMPS, 600 AMPS, 3 ϕ , 4W OR 1 ϕ , 3W.
GROUND BUS- 200 AMPS
SHORT CIRCUIT RATING- 50,000 RMS SYM AMPERES @ 480V, 65,000 RMS SYM AMPERES @ 240V
- BATTERY VOLTAGE: N/A
- NEUTRAL BUS: 600 AMPS
- APPLICABLE LABELS: U.L. 891- SUITABLE ONLY FOR USE AS SERVICE EQUIPMENT.

CABLING NOTES

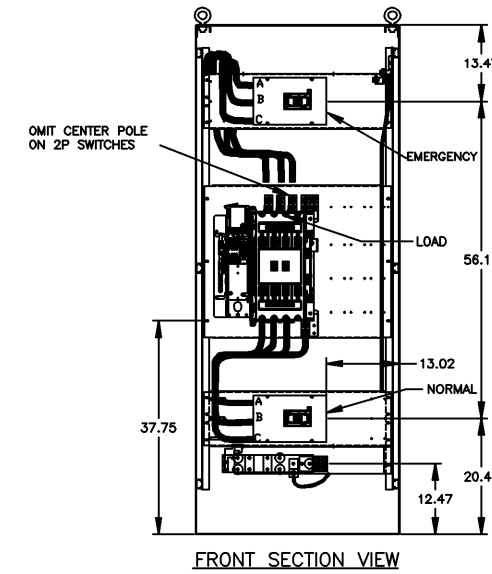
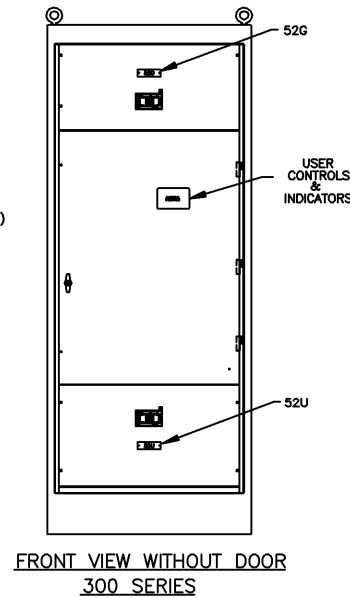
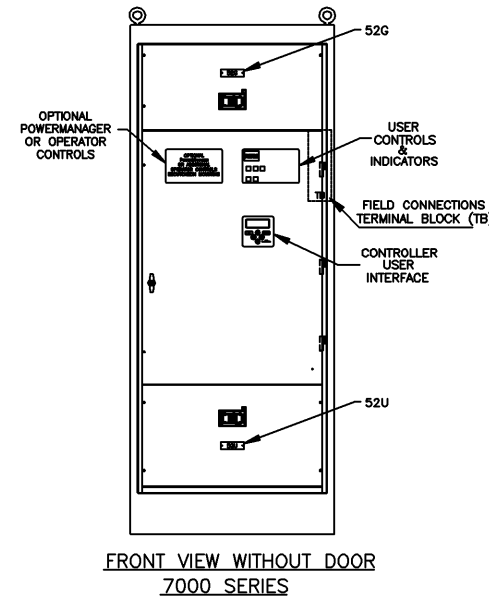
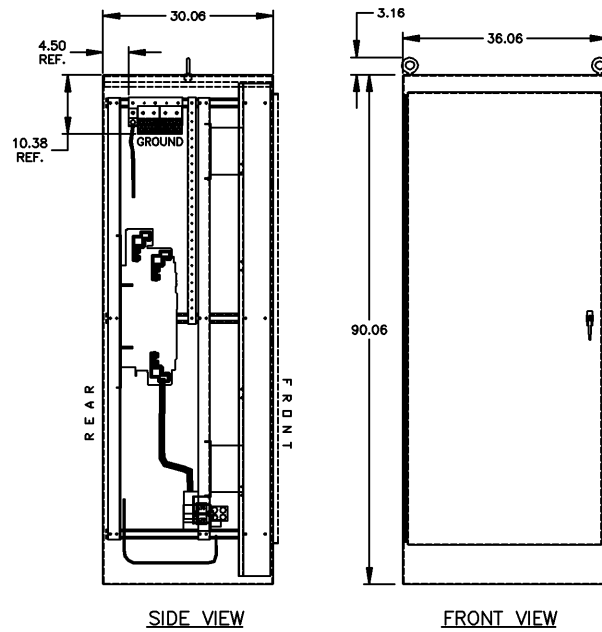
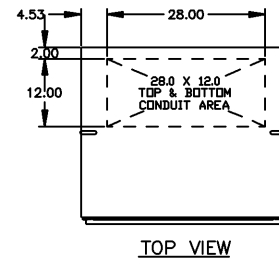
- ALL SIZES SUPPLIED STANDARD WITH MECHANICAL (SCREW TYPE) LUGS. (SEE AMP SIZE BELOW)
A. LUG MATERIAL: ALUMINUM ALLOY 6061-T6 WITH ELECTRO TIN PLATED FINISH.
B. SCREW MATERIAL: ALUMINUM ALLOY 6262-T9 WITH ELECTRO TIN PLATED FINISH.
C. UL LISTED, CSA CERTIFIED.
D. LUG SCREW TIGHTENING TORQUE PER UL 486B: 19 FT-LBS.
E. SUITABLE WIRE BENDING SPACE IS PROVIDED. (SEE AMP SIZE BELOW)
- OPTIONAL COPPER CRIMP LUGS MAY BE SUPPLIED. (SEE AMP SIZE BELOW)
A. LUG MATERIAL: HIGH CONDUCTIVITY WROUGHT COPPER FINISH, ELECTRO TIN PLATED.
B. UL LISTED, CSA CERTIFIED.
C. LUG MOUNTING HARDWARE TIGHTENING TORQUE: (REFER TO WITHSTAND CURRENT RATING LABEL PROVIDED ON EACH TRANSFER SWITCH).
D. SUITABLE WIRE BENDING SPACE IS PROVIDED. (SEE AMP SIZE BELOW)
- CONSULT FACTORY FOR OTHER TERMINATION REQUIREMENTS.

NOTES 450-600 AMPS

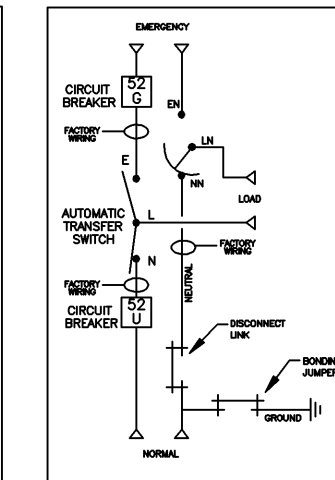
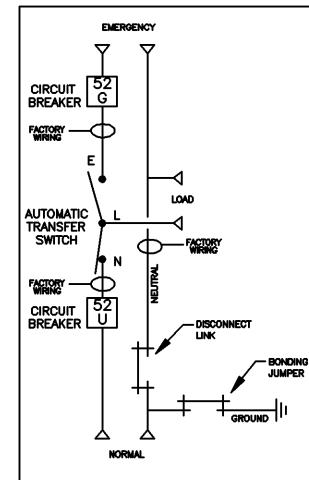
- SUPPLIED WITH STANDARD MECHANICAL (SCREW TYPE) LUGS ON THE LOAD BUS STABS. ONE (1) LUG PER PHASE AND NEUTRAL SUITABLE FOR CONNECTION OF TWO (2) #2 AWG-600MCM CU/AL CABLE (SEE NOTE "A" BELOW).
A. SUITABLE WIRE BENDING SPACE IS PROVIDED FOR UP TO TWO (2) 600MCM CABLES PER TERMINAL PER NEC.
- OPTIONAL COPPER CRIMP LUGS MAY BE SUPPLIED. UP TO TWO (2) TWO HOLE, LONG BARREL CU CRIMP LUGS RATED FOR UP TO 600MCM. (REFER TO CRIMP LUG INSTALLATION DATA PROVIDED WITH UNIT FOR FULL INSTALLATION DETAILS).
A. SUITABLE WIRE BENDING SPACE IS PROVIDED FOR UP TO TWO (2) 600MCM CABLES PER TERMINAL PER NEC.
- GROUND IS SUPPLIED WITH MECHANICAL (SCREW TYPE) LUGS SUITABLE FOR:
(6) 1/0 - 750MCM CU/AL CABLE
- NORMAL & EMERGENCY IS SUPPLIED WITH MECHANICAL (SCREW TYPE) LUGS SUITABLE FOR:
(3) 3/0 AWG TO 500 MCM PER ϕ AND NEUTRAL.

CIRCUIT BREAKER: ITEM 52U & 52G

SQUARE "D" 80% RATED, TYPE 'MJL', 800AF/450AT, 800AF/500AT, 800AF/600AT MOLDED CASE, ELECTRONIC TRIP.



ONE LINE DIAGRAMS



PROJECT NAME:		225672	SV	RN	01/05/10
REV. TO SHEET		EDN NO.	BY	APP.	DATE
OUTLINE		MOUNTING			
JAUS/JAPS 450A-600A, MJL SE BRKR ON NORM., MJL BRKR ON EMERG.		THIRD ANGLE PROJECTION			
TYPE 12 90 X 36 X 30		SCALE 1/4" = 1" SIZE DS			
BY	DATE	MANUFACTURING TOLERANCES TO BE IN ACCORDANCE WITH ASCO PROCEDURE MP-1-003. FOR PLASTIC PARTS SEE MP-1-005	ASSEMB. REF. NO.	COMPUTER GENERATED DRAWING	
DRWN BY	SV	01/07/10		DWC NO. 882678-004	
CHECKED	RN			PROPERTY OF ASCO POWER TECHNOLOGIES. USE PERMITTED FOR OUR WORK ONLY. ALL RIGHTS OF DESIGN OR INVENTION ARE RESERVED.	
TRACED				ASC POWER TECHNOLOGIES, L.P.	
FINAL APPROVAL				FLORHAM PARK, NEW JERSEY 07832 U.S.A.	
				REV.	225672
					1 OF 1