

GENERAL NOTES

- TYPE 4 OR 4X ENCLOSURE. FREE STANDING. FLOOR MOUNTED.
- FRONT DOOR HAS A PADLOCKABLE HASP & STAPLE.
- FINISH: TYPE 4: ANSI 61 GRAY POLYESTER SEMI GLOSS ELECTROSTATIC POWDER.
TYPE 4X: EXTERIOR CONSTRUCTED OF CODE GAUGE TYPE 316 STAINLESS STEEL.
- RECOMMENDED CLEARANCES:
FRONT: 38 INCHES
- ALL BUS IS SILVER-PLATED COPPER, BASED ON 1000A PER SQ. IN. DENSITY.
- A FULL RATED NEUTRAL CONNECTION FOR EACH SOURCE AND THE LOAD IS OPTIONAL. WHEN PROVIDED IT IS IN ONE OF THE FOLLOWING FORMATS AS SPECIFIED BY THE CATALOG NO. NEUTRAL TYPE;
 - SOLID (COPPER BUS) NEUTRAL (SHOWN) (PROVIDED STANDARD ON H3AUS)
 - SWITCHED NEUTRAL POLE
 - OVERLAPPING NEUTRAL POLE (NOT AVAILABLE ON 7ACUS/7ADUS UNITS)
- DESIGNED FOR FRONT ACCESS
- FOR SPECIFIED TRANSFER SWITCH, REFER TO OPERATOR'S MANUAL PROVIDED WITH UNIT.

SPECIFICATIONS

- SERVICE VOLTAGE:
SYSTEM RATING: 450 AMPS, 500 AMPS, 600 AMPS, 3 ϕ , 4W OR 1 ϕ , 3W.
GROUND BUS- 20% RATED
SHORT CIRCUIT RATING- 50,000 RMS SYM AMPERES @ 480V, 65,000 RMS SYM AMPERES @ 240V
- NEUTRAL BUS: 100% RATED
- APPLICABLE LABELS: U.L. 891- SUITABLE ONLY FOR USE AS SERVICE EQUIPMENT.

CABLING NOTES

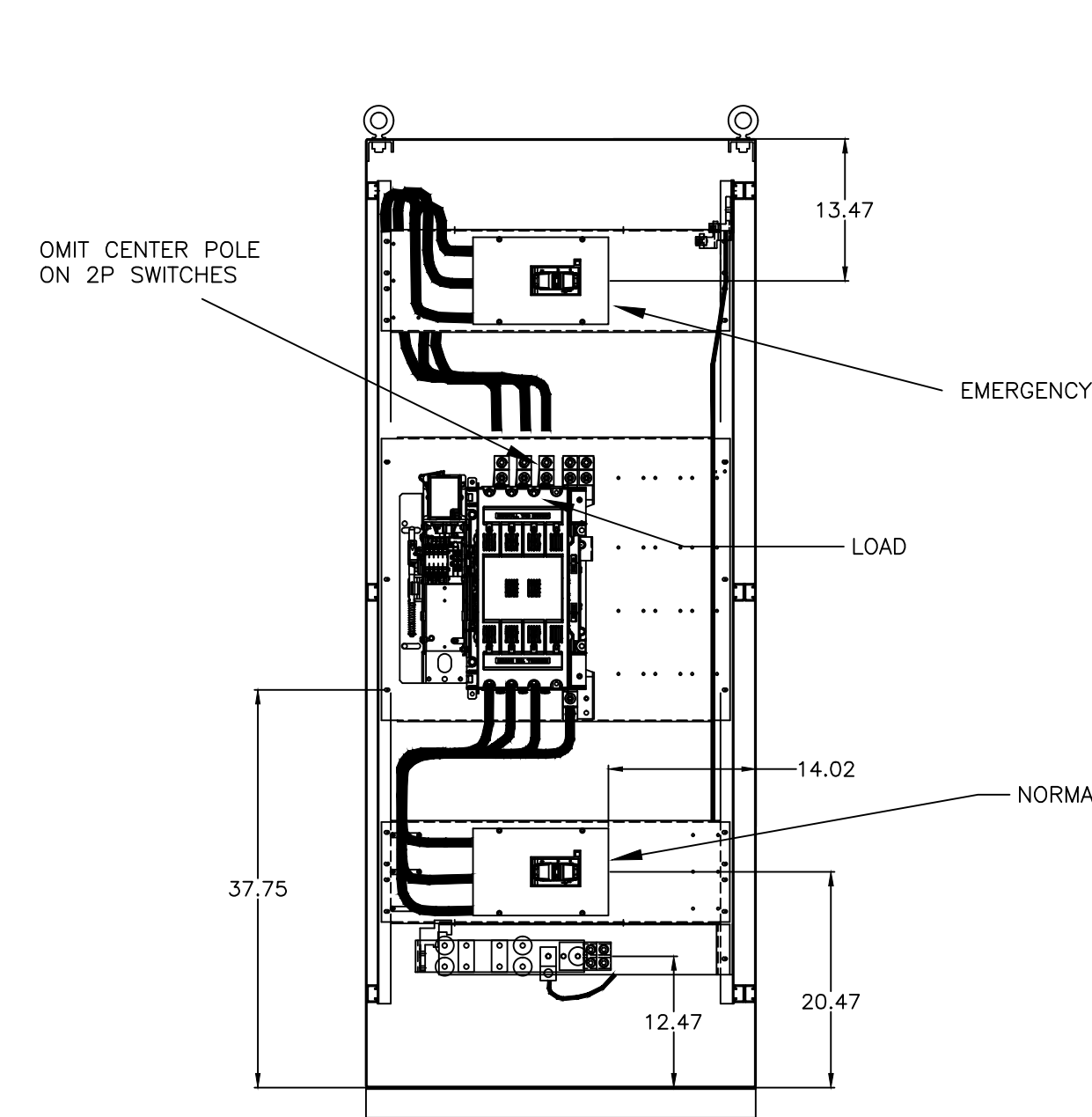
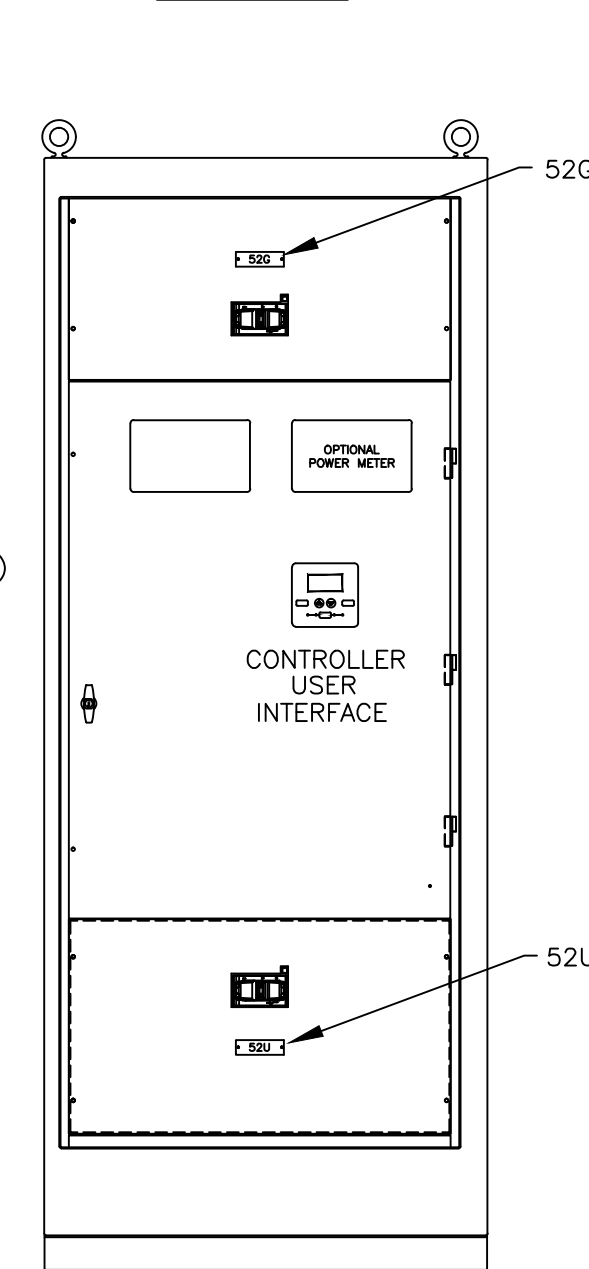
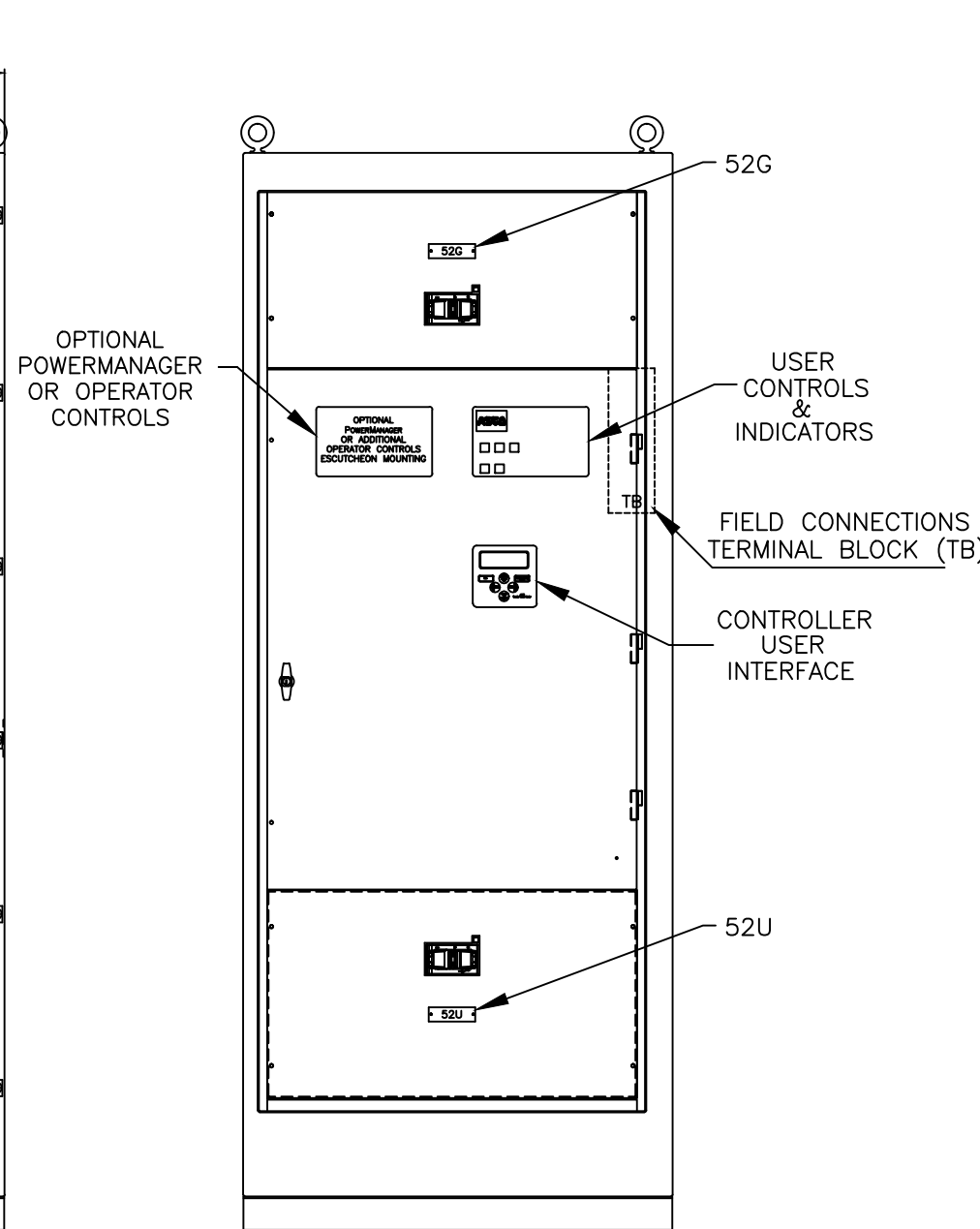
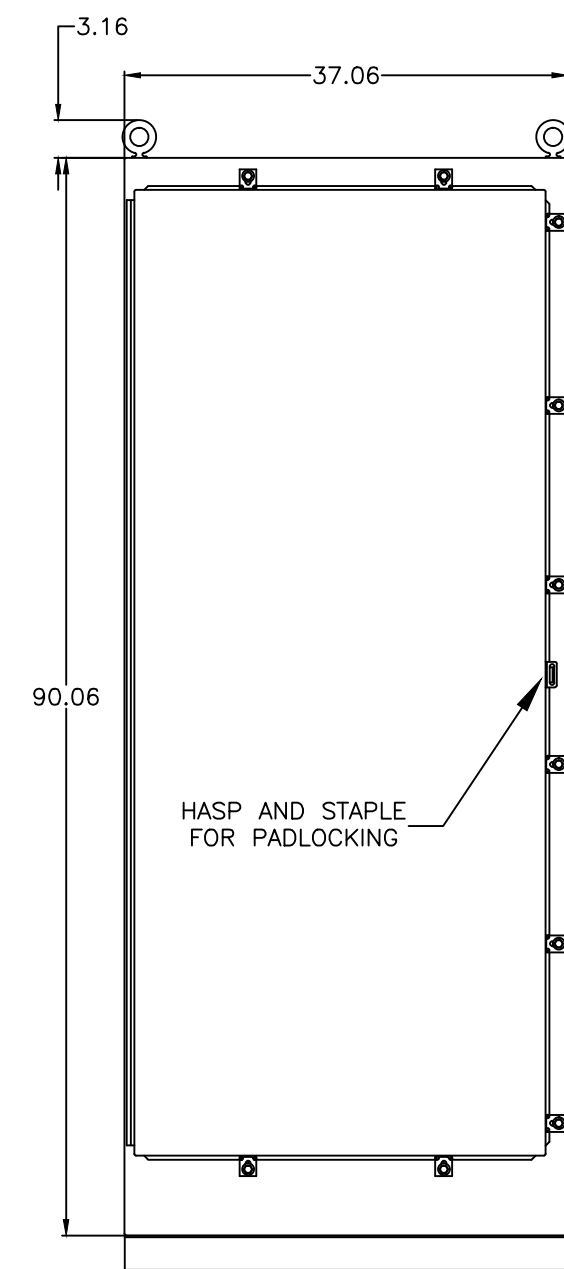
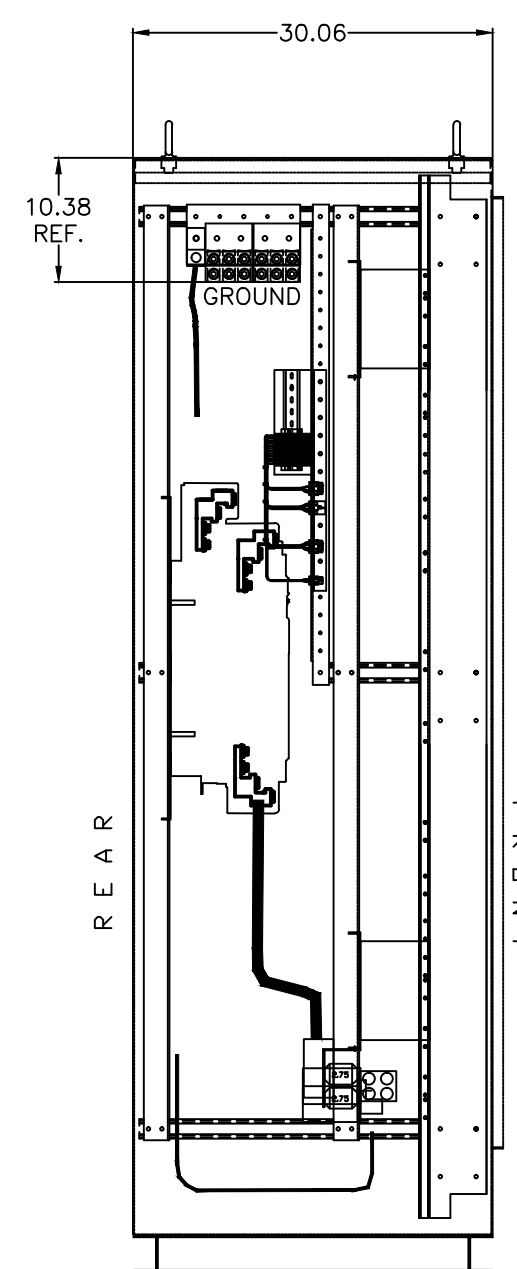
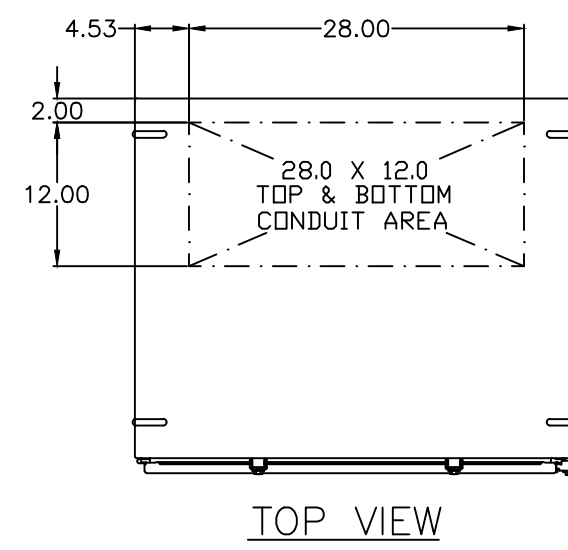
- ALL SIZES SUPPLIED STANDARD WITH MECHANICAL (SCREW TYPE) LUGS. (SEE AMP SIZE BELOW)
 - LUG MATERIAL: ALUMINUM ALLOY 6061-T6 WITH ELECTRO TIN PLATED FINISH.
 - SCREW MATERIAL: ALUMINUM ALLOY 6262-T9 WITH ELECTRO TIN PLATED FINISH.
 - UL LISTED, CSA CERTIFIED.
 - LUG SCREW TIGHTENING TORQUE PER UL 486B: 19 FT-LBS.
 - SUITABLE WIRE BENDING SPACE IS PROVIDED. (SEE AMP SIZE BELOW)
- CONSULT FACTORY FOR OTHER TERMINATION REQUIREMENTS.

NOTES 450-600 AMPS

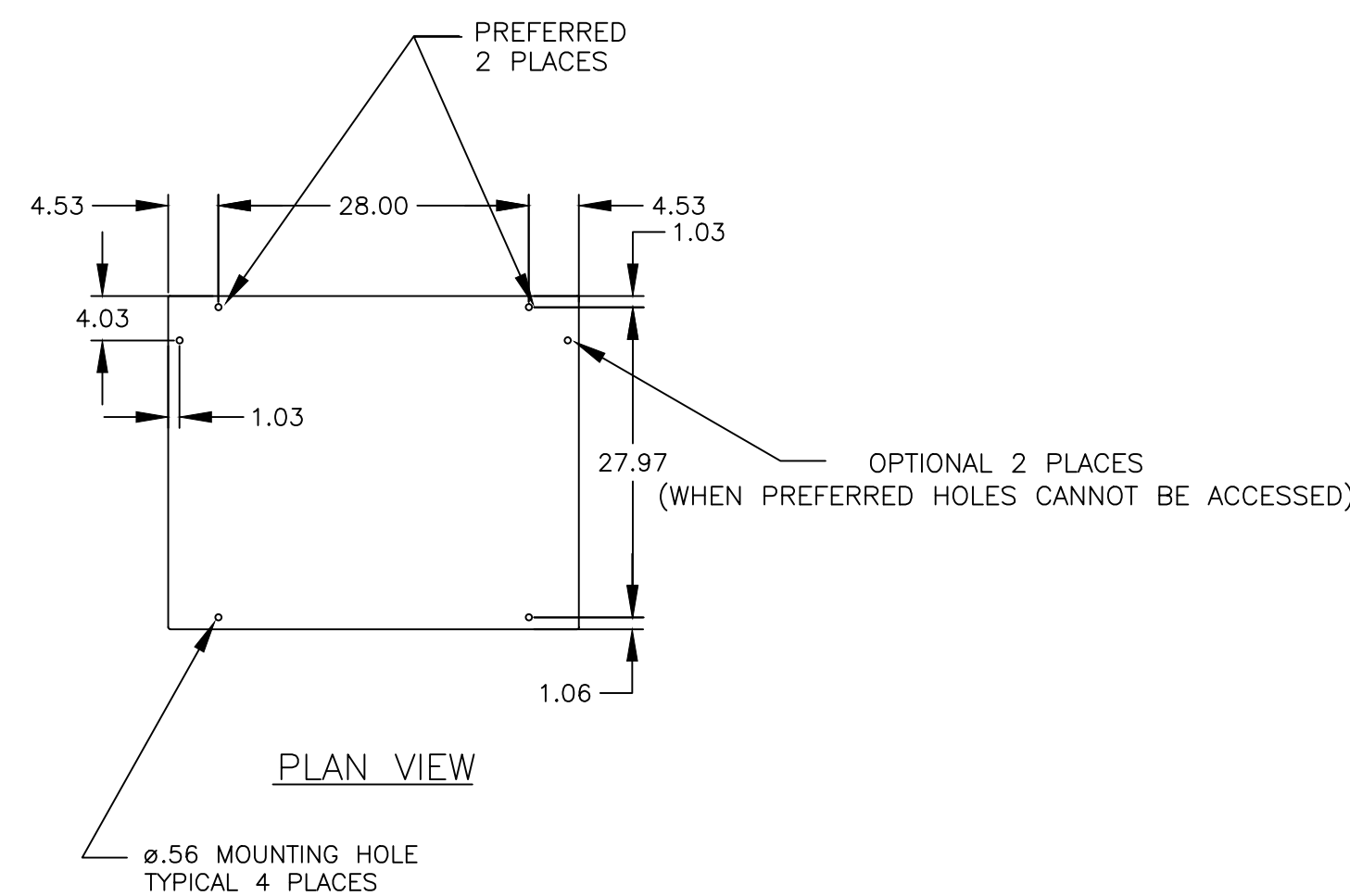
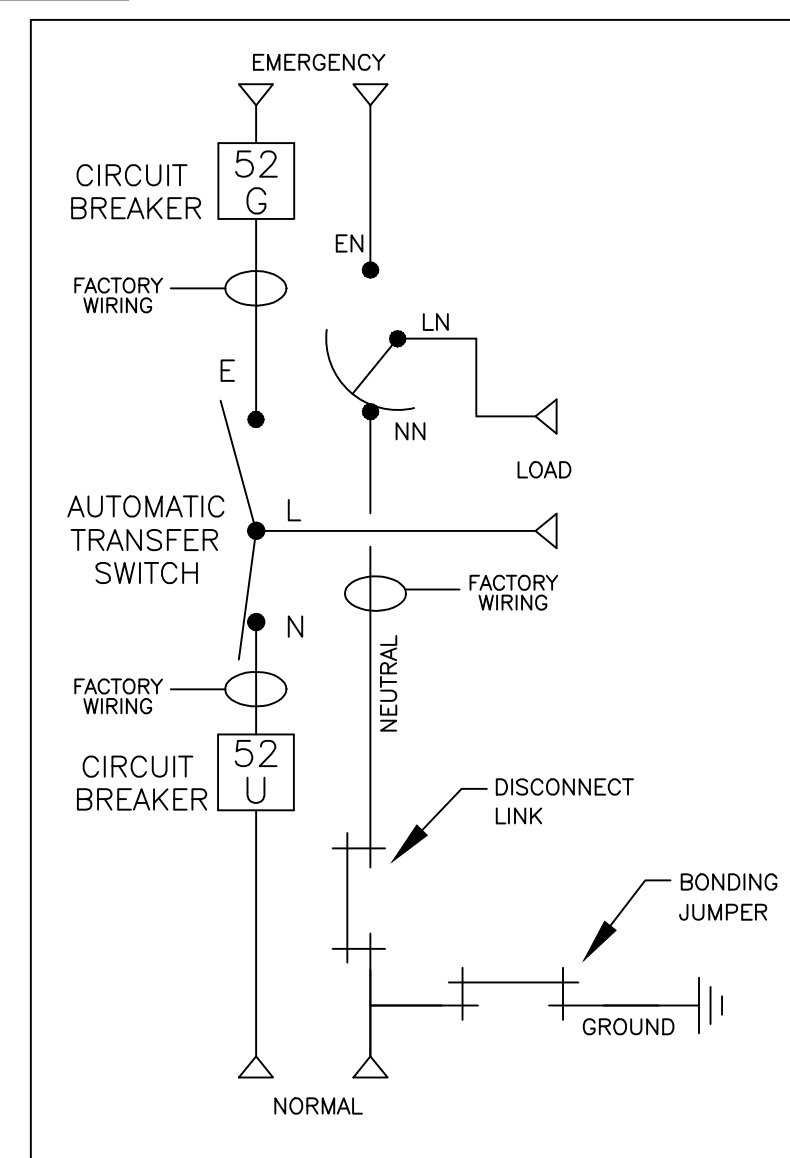
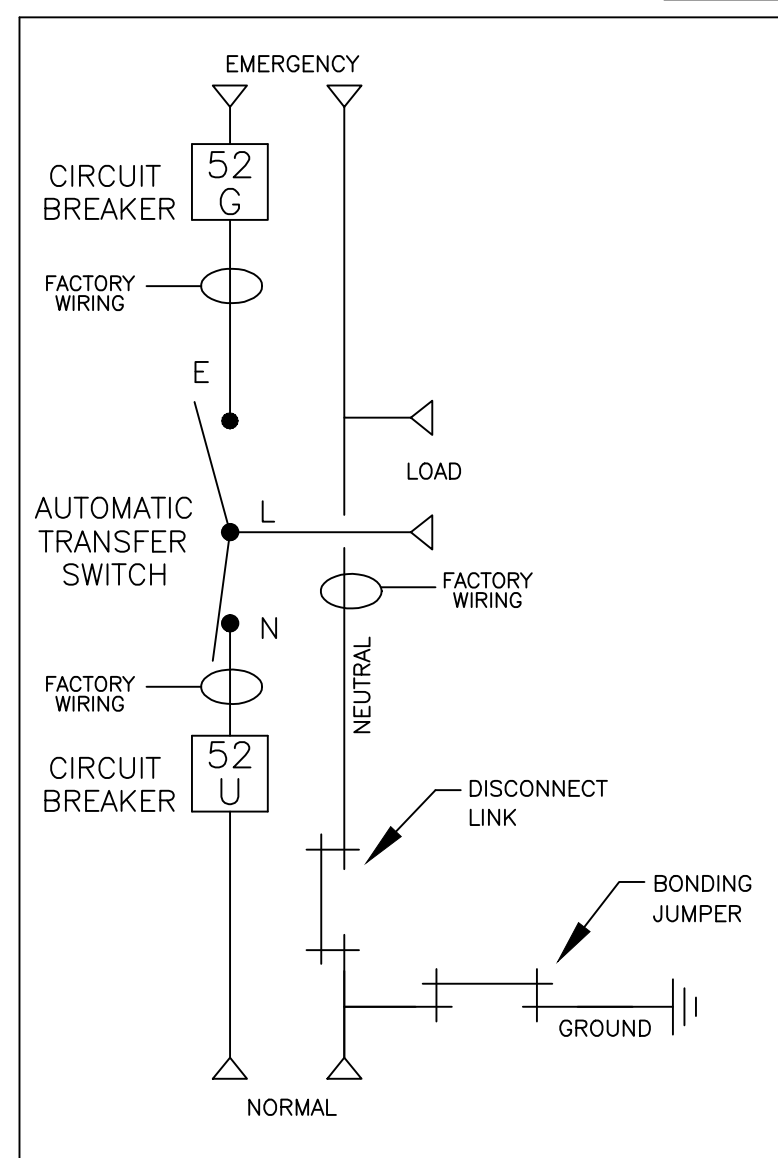
- SUPPLIED WITH STANDARD MECHANICAL (SCREW TYPE) LUGS ON THE LOAD BUS STABS.
ONE (1) LUG PER PHASE AND NEUTRAL SUITABLE FOR CONNECTION OF TWO (2) #2 AWG-600MCM CU/AL CABLE (SEE NOTE "A" BELOW).
 - SUITABLE WIRE BENDING SPACE IS PROVIDED FOR UP TO TWO (2) 600MCM CABLES PER TERMINAL PER NEC.
- GROUND IS SUPPLIED WITH MECHANICAL (SCREW TYPE) LUGS SUITABLE FOR:
 - 1/0 - 750MCM CU/AL CABLE
- NORMAL & EMERGENCY IS SUPPLIED WITH MECHANICAL (SCREW TYPE) LUGS SUITABLE FOR:
 - 3/0 AWG TO 500 MCM PER ϕ AND NEUTRAL.

CIRCUIT BREAKER: ITEM 52U & 52G

SQUARE "D" 80% RATED, TYPE "MJL", 800AF/450AT, 800AF/500AT, 800AF/600AT MOLDED CASE, ELECTRONIC TRIP.



ONE LINE DIAGRAMS



D	250819	SM	RN	
C	248112	VAK	RN	
B	245256	BG	RN	11/06/13
A	237804	RBR	RN	07/02/12
	225672	SV	RN	01/06/10
				NEW ISSUE

PROJECT NAME:		REV. TO SHEET	ECN NO.	BY	APP.	DATE
OUTLINE		MOUNTING				
JAUS/JAPS 450A-600A, MJL SE BRKR ON NORM., MJL BRKR ON EMERG.						
TYPE 4/4X 90 X 37 X 30						
BY	DATE	MANUFACTURING TOLERANCES TO BE IN ACCORDANCE WITH ASCO PROCEDURE MP-1-003. FOR PLASTIC PARTS SEE MP-1-055		ASSEM. REF. NO.	COMPUTER GENERATED DRAWING	
CHECKED	RN	01/06/10			SCALE	1:1 SIZE DS
PROJECT APPROVAL					DWG. NO. 882678-003	
FINAL APPROVAL					DRAWING D ECN 250819 SHEET 1 OF 1	
ASCO POWER TECHNOLOGIES, L.P. FLOHAM PARK, NEW JERSEY 07932 U.S.A.						