

**GENERAL NOTES**

- TYPE 12 ENCLOSURE. FREE STANDING. CODE GAUGE STEEL. SEAMWELDED CONSTRUCTION.
- EXTERIOR DOOR HAS LOCKABLE HANDLE WITH 3-PT LATCH.
- FINISH: ANSI 61 GRAY POLYESTER SEMI GLOSS ELECTROSTATIC POWDER.
- RECOMMENDED CLEARANCES:  
FRONT: 38 INCHES
- ALL BUS IS SILVER-PLATED COPPER, BASED ON 1000A PER SQ. IN. DENSITY.
- A FULL RATED NEUTRAL CONNECTION FOR EACH SOURCE AND THE LOAD IS OPTIONAL. WHEN PROVIDED IT IS IN ONE OF THE FOLLOWING FORMATS AS SPECIFIED BY THE CATALOG NO. NEUTRAL TYPE;  
A. SOLID (COPPER BUS)  
B. SWITCHED NEUTRAL POLE (SHOWN)  
C. OVERLAPPING NEUTRAL POLE (NOT AVAILABLE ON 7ACUS/7ADUS UNITS)
- DESIGNED FOR FRONT ACCESS ONLY.
- FOR SPECIFIED TRANSFER SWITCH, REFER TO OPERATOR'S MANUAL PROVIDED WITH UNIT.

**SPECIFICATIONS**

- SERVICE VOLTAGE:  
SYSTEM RATING: 450 AMPS, 500 AMPS, 600 AMPS, 700 AMPS, 800 AMPS, 3Ø, 4W OR 1Ø, 3W.  
GROUND BUS- 200 AMPS  
SHORT CIRCUIT RATING- 65,000 RMS SYM AMPERES @ 480V.
- NEUTRAL BUS: 100% RATED
- APPLICABLE LABELS: U.L. 891- SUITABLE ONLY FOR USE AS SERVICE EQUIPMENT.

**CABLING NOTES**

- ALL SIZES SUPPLIED STANDARD WITH MECHANICAL (SCREW TYPE) LUGS. (SEE AMP SIZE BELOW)  
A. LUG MATERIAL: ALUMINUM ALLOY 6061-T6 WITH ELECTRO TIN PLATED FINISH.  
B. SCREW MATERIAL: ALUMINUM ALLOY 6262-T9 WITH ELECTRO TIN PLATED FINISH.  
C. UL LISTED, CSA CERTIFIED.  
D. LUG SCREW TIGHTENING TORQUE PER UL 486B: 19 FT-LBS.  
E. SUITABLE WIRE BENDING SPACE IS PROVIDED. (SEE AMP SIZE BELOW)
- OPTIONAL COPPER CRIMP LUGS MAY BE SUPPLIED. (SEE AMP SIZE BELOW)  
A. LUG MATERIAL: HIGH CONDUCTIVITY WROUGHT COPPER FINISH, ELECTRO TIN PLATED.  
B. UL LISTED, CSA CERTIFIED.  
C. LUG MOUNTING HARDWARE TIGHTENING TORQUE: (REFER TO WITHSTAND CURRENT RATING LABEL PROVIDED ON EACH TRANSFER SWITCH).  
D. SUITABLE WIRE BENDING SPACE IS PROVIDED. (SEE AMP SIZE BELOW)
- CONSULT FACTORY FOR OTHER TERMINATION REQUIREMENTS.

**NOTES 450-600 AMPS**

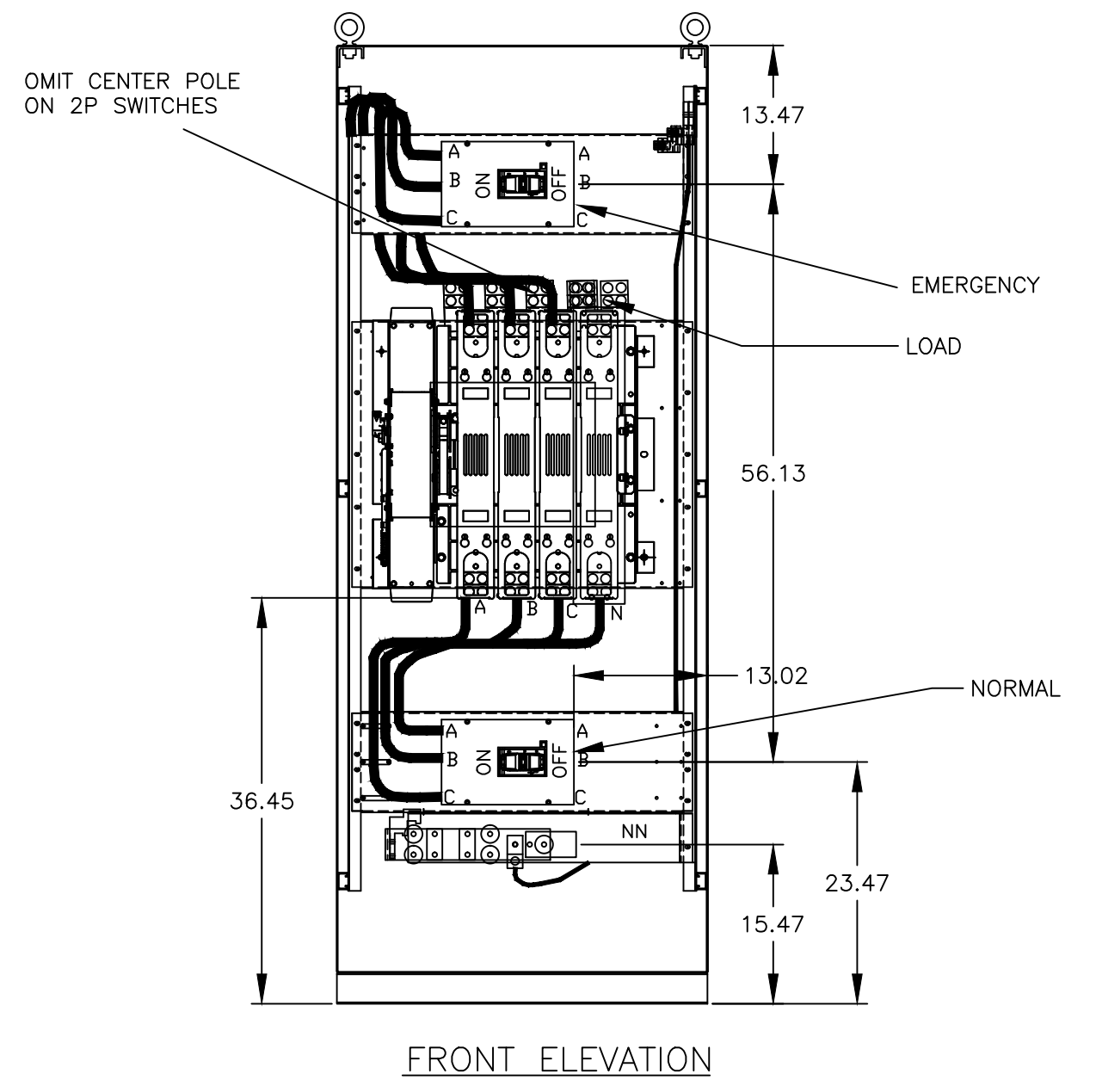
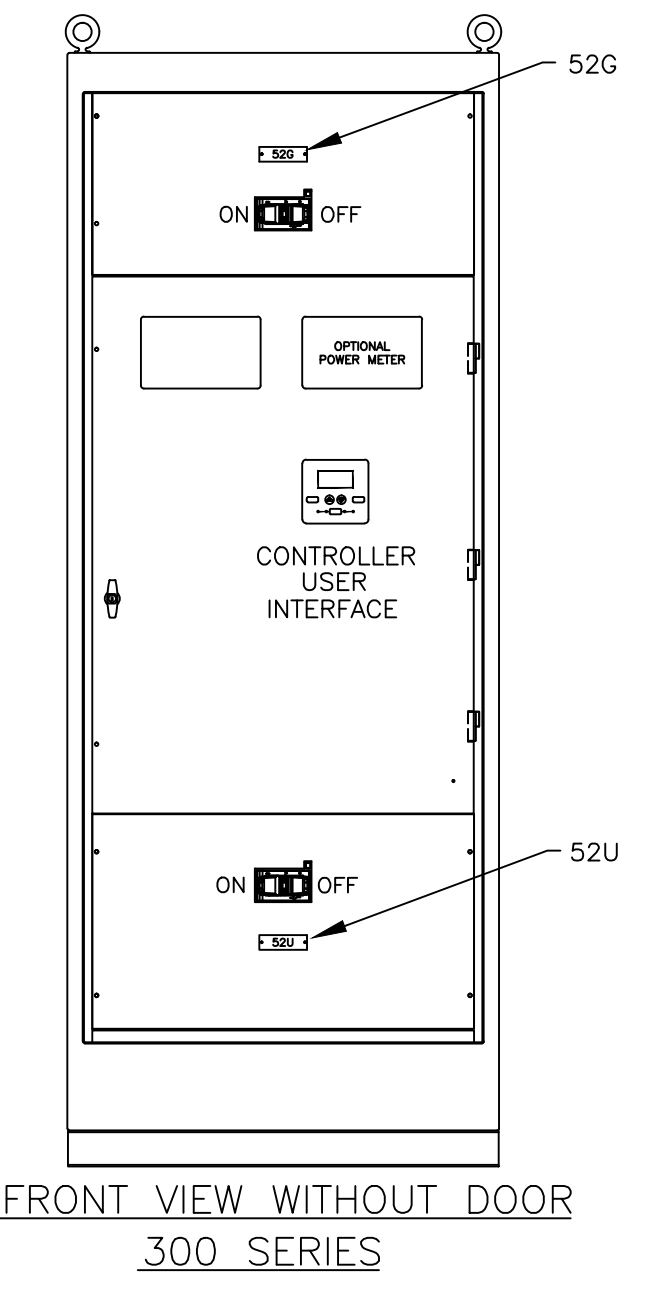
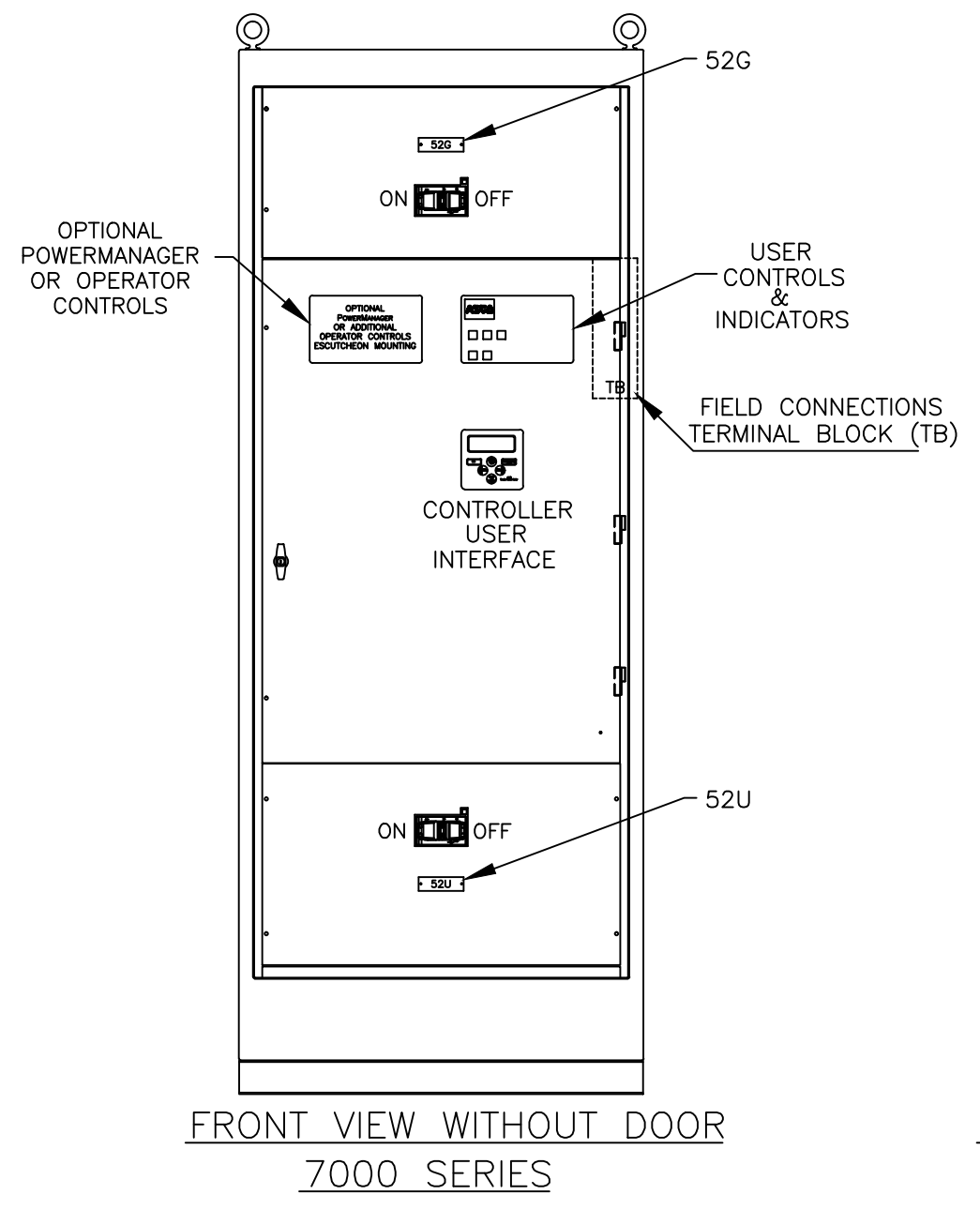
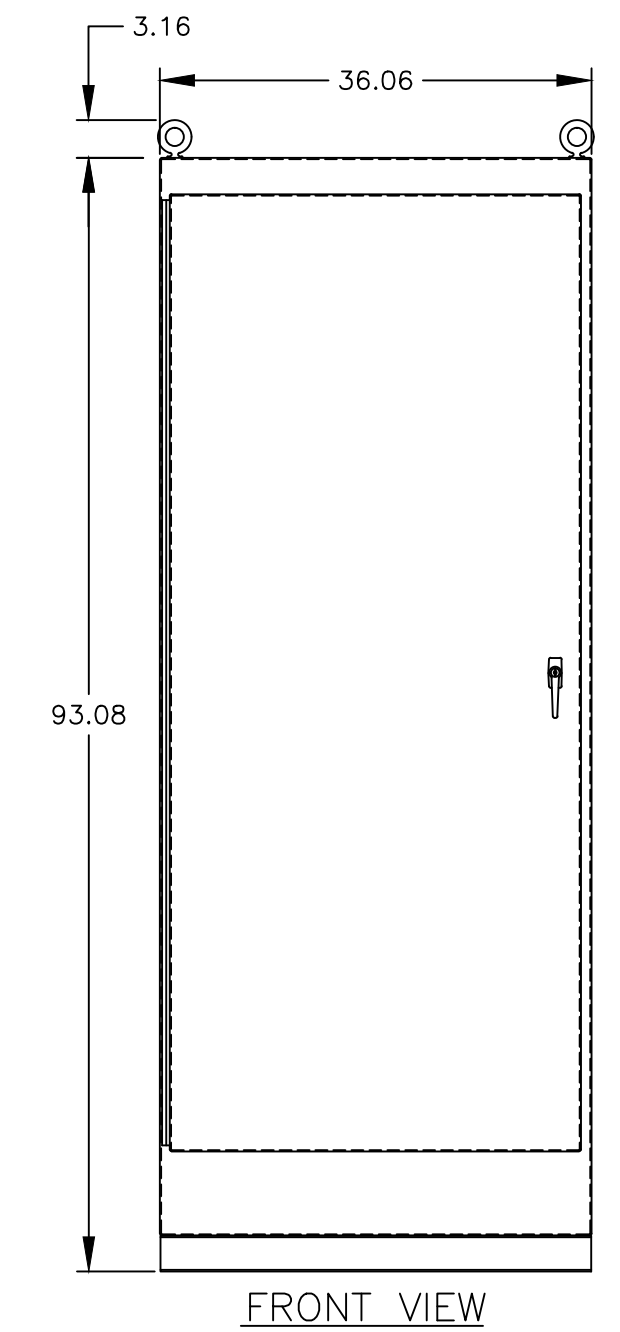
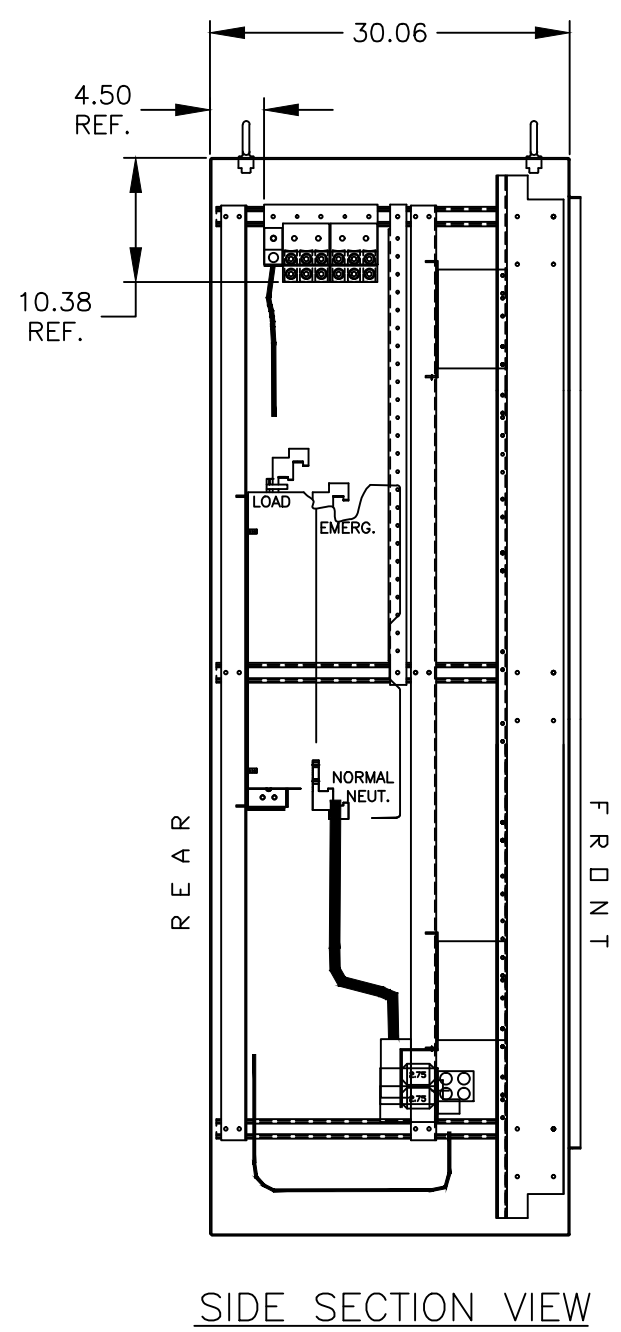
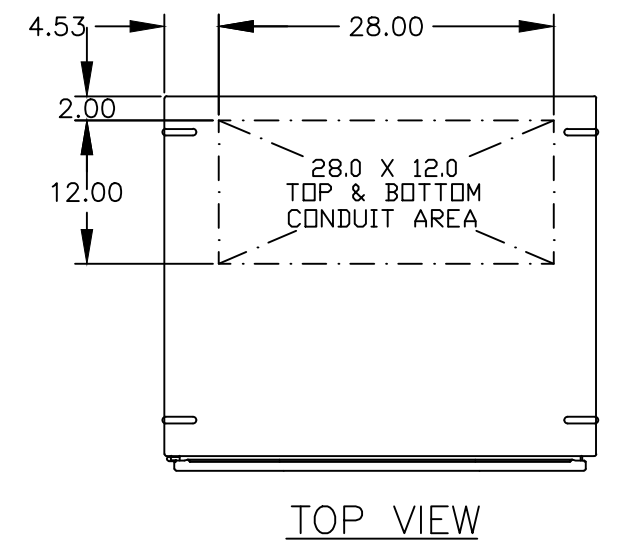
- SUPPLIED WITH STANDARD MECHANICAL (SCREW TYPE) LUGS ON THE LOAD BUS STABS. ONE (1) LUG PER PHASE AND NEUTRAL SUITABLE FOR CONNECTION OF TWO (2) 1/0 AWG-600MCM CU/AL CABLE (SEE NOTE "A" BELOW).  
A. SUITABLE WIRE BENDING SPACE IS PROVIDED AS PER NEC.
- OPTIONAL COPPER CRIMP LUGS MAY BE SUPPLIED. UP TO TWO (2) TWO HOLE, LONG BARREL CU CRIMP LUGS RATED FOR UP TO 600MCM. (REFER TO CRIMP LUG INSTALLATION DATA PROVIDED WITH UNIT FOR FULL INSTALLATION DETAILS).  
A. SUITABLE WIRE BENDING SPACE IS PROVIDED AS PER NEC.
- GROUND IS SUPPLIED WITH MECHANICAL (SCREW TYPE) LUGS SUITABLE FOR:  
(6) 1/0 - 750MCM CU/AL CABLE
- NORMAL & EMERGENCY IS SUPPLIED WITH MECHANICAL (SCREW TYPE) LUGS SUITABLE FOR:  
(3) 3/0 AWG TO 500 MCM PER Ø AND NEUTRAL.

**NOTES 700-800 AMPS**

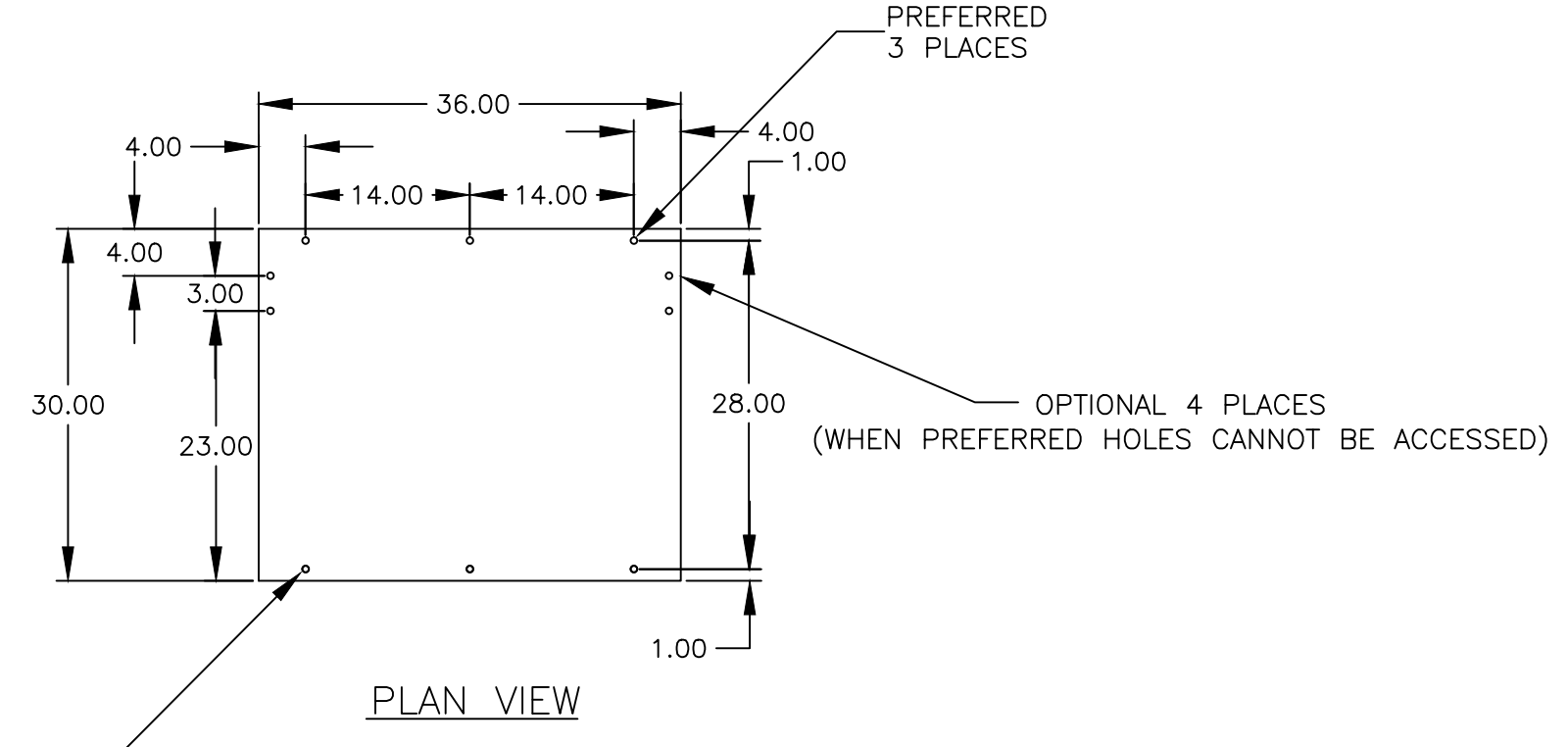
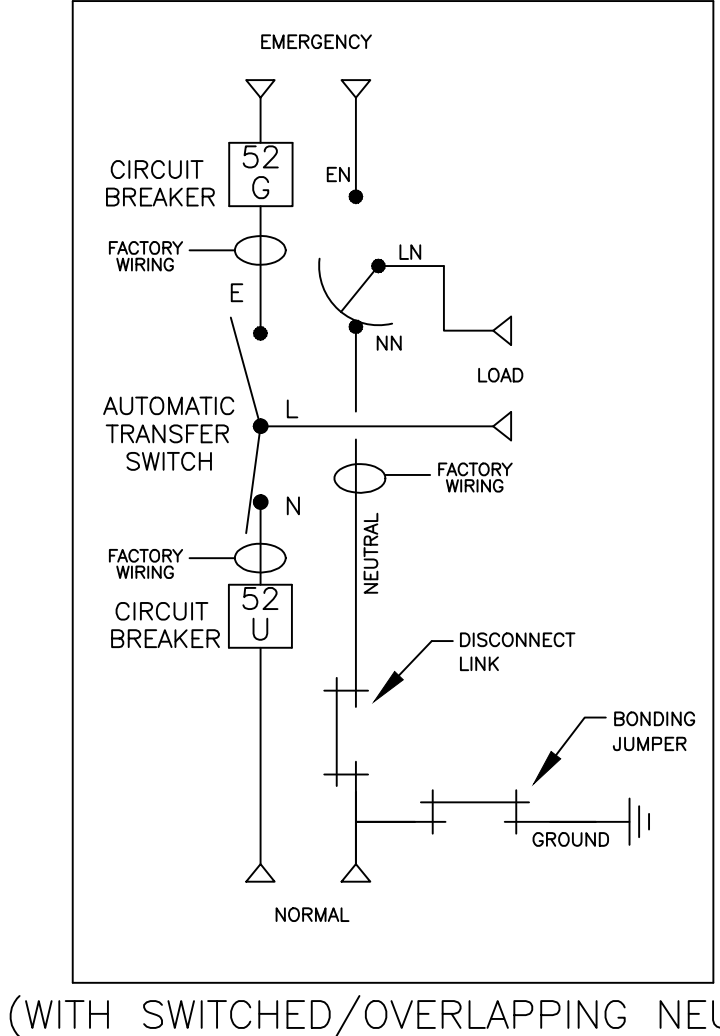
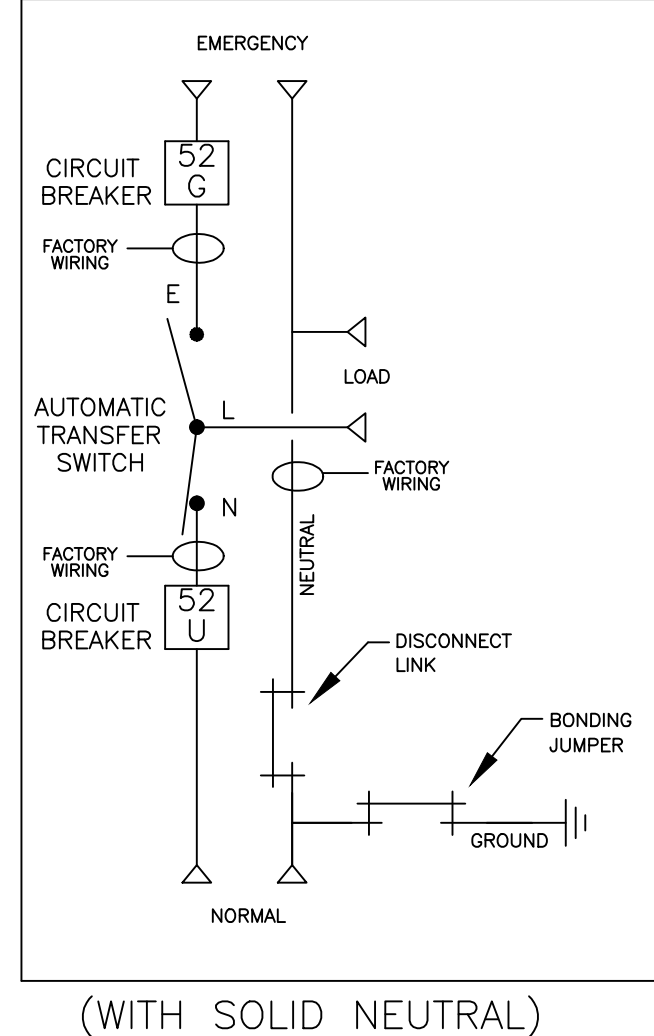
- SUPPLIED WITH STANDARD MECHANICAL (SCREW TYPE) LUGS ON THE LOAD BUS STABS. ONE (1) LUG PER PHASE AND NEUTRAL EACH SUITABLE FOR CONNECTION OF FOUR (4) 1/0 AWG-600MCM CU/AL CABLE (SEE NOTE "A" BELOW).  
A. SUITABLE WIRE BENDING SPACE IS PROVIDED AS PER NEC.
- OPTIONAL COPPER CRIMP LUGS MAY BE SUPPLIED. UP TO FOUR (4) TWO HOLE, LONG BARREL CU CRIMP LUGS RATED FOR UP TO 600MCM. (REFER TO CRIMP LUG INSTALLATION DATA PROVIDED WITH UNIT FOR FULL INSTALLATION DETAILS).  
A. SUITABLE WIRE BENDING SPACE IS PROVIDED AS PER NEC.
- GROUND IS SUPPLIED WITH MECHANICAL (SCREW TYPE) LUGS SUITABLE FOR:  
(12) 1/0 - 750MCM CU/AL CABLE
- NORMAL & EMERGENCY IS SUPPLIED WITH MECHANICAL (SCREW TYPE) LUGS SUITABLE FOR:  
(3) 3/0 AWG TO 500 MCM PER Ø AND NEUTRAL.

**CIRCUIT BREAKER: ITEM 52U & 52G**

SQUARE "D" 80% RATED, TYPE 'MJL', 800AF/450AT, 800AF/500AT, 800AF/600AT, 800AF/700AT, 800AF/800AT MOLDED CASE, ELECTRONIC TRIP.



**ONE LINE DIAGRAMS**



Ø.56 MOUNTING HOLES (6) PLACES. 1/2" MOUNTING HARDWARE MUST BE GRADE 5. USE 1/2" BASE MOUNTING PLATE SIMILAR TO "POWER-STRUT P/N PS619.

ACC. 125: BASED ON ICC-ES AC-156 TESTING PROCEDURES, ASCO POWER TECHNOLOGIES, LP, CERTIFIES THAT THIS TRANSFER SWITCH MEETS OR EXCEEDS THE REQUIREMENTS OF 2006 INTERNATIONAL BUILDING CODE AND 2007 CALIFORNIA BUILDING CODE FOR IMPORTANCE FACTOR 1.5, ELECTRICAL EQUIPMENT FOR 300% g<sub>s</sub> ROOF TOP APPLICATIONS OR LESS SEVERE SEISMIC REGIONS WHEN MOUNTED AS INDICATED ON SUPPLIED DRAWINGS. SUITABLE FOR BUILDING CATEGORIES I, II, III OR IV; USE GROUPS I, II OR III; DESIGN CATEGORIES A, B, C AND D; AND SITE CLASSES A, B, C OR D.

|   |         |          |   |                          |                                |
|---|---------|----------|---|--------------------------|--------------------------------|
| PROJECT NAME:   |         | 251987   | BG  | RN                       | 11/28/14                       |
| REV. TO SHEET   | ECN NO. | BY       | APP.  | DATE                     |                                |
| OUTLINE   |         | MOUNTING |   |                          |                                |
| HAUS/HAPS 450A-800A, MJL SE BRKR ON NORM., MJL BRKR ON EMERG. |         |          |   |                          |                                |
| TYPE 12, 93 X 36 X 30, SEISMIC 125                            |         |          |   |                          |                                |
| DRAWN BY  | BG      | DATE     | MANUFACTURING TOLERANCES TO BE IN ACCORDANCE WITH ASCO PROCEDURE MP-1-003. FOR PLASTIC PARTS SEE MP-1-005             | ASSEM. REF. NO.          | COMPUTER GENERATED DRAWING     |
| CHECKED   | RN      | 11/27/14 | PROPERTY OF ASCO POWER TECHNOLOGIES. USE PERMITTED FOR OUR WORK ONLY. ALL RIGHTS OF DESIGN OR INVENTION ARE RESERVED. | SCALE 1/16" = 1" SIZE DS | DWG. NO.                       |
| PROJECT APPROVAL  |         |          |   |                          | 882322-039                     |
| FINAL APPROVAL  |         |          |   |                          | REV. - ECN 251987 SHEET 1 OF 1 |