

# ASCO 185 SERIES AUTOMATIC POWER TRANSFER SWITCH RATED 260 & 400 AMPS, 240V SINGLE PHASE, 3 WIRE

NOTES:

1) Automatic Power Transfer Switch:  
 ASCO E185, 2 pole, 260 & 400 amperes, 240 vac. Listed to UL 1008, Standard for Transfer Switching Equipment. For use on Optional Standby Systems as defined by NFPA 70 (National Electrical Code (NEC), Article 702).

Transfer Controller - ASCO Group 4 Automatic Transfer Switch Controller including: (Refer to 185 Series Operator's Manual, PN 381333-319, supplied with the transfer switch for detailed information)

User Controls & Status Indication  
 Load on Preferred Source (Utility) LED indicator - green  
 Load on Alternate Source (Generator) LED indicator - red  
 Preferred Source (Utility) Acceptable LED indicator - green  
 Alternate Source (Generator) Acceptable LED indicator - red  
 Automatic Engine-Generator Exerciser (Setting & Engine Running) LED indicator  
 Transfer Test membrane pushbutton  
 Bypass Time Delay (active time delay or engine-generator exercise period) membrane pushbutton  
 Set Engine Exerciser membrane pushbutton

Time Delays  
 Override Momentary Preferred Source (Utility) Outages - Factory set at 3 seconds  
 Transfer to Alternate Source (Generator) - Factory set at 10 seconds  
 Override Momentary Alternate Source (Generator) Outages - Factory set at 4 seconds  
 Retransfer to Preferred Source (Utility) - 5 minutes/fix  
 Engine-Generator Unloaded Running (Cooldown) Period - Factory set at 5 minutes

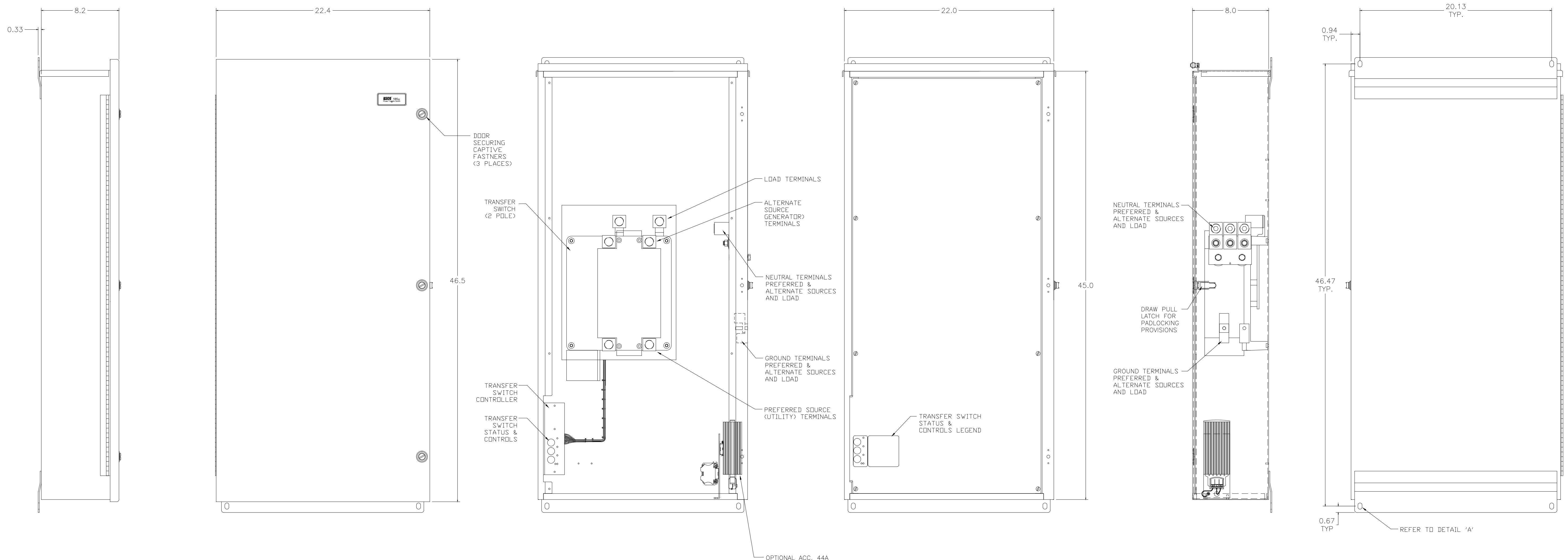
Control Signals  
 Engine-Generator Automatic Starting Controls - (1) form C contact  
 Load Disconnect Feature - (1) Form C contact. Refer to Operator's Manual for detailed explanation of operation.

Remote Controls (Using Customer Supplied Contacts)  
 Remote Test Feature  
 Remote Test with Automatic Retransfer to Preferred Source (Utility) Feature  
 Bypass Time Delay on Retransfer to Preferred Source (Utility) Feature

2) Enclosure: Listed to UL 50 Standard for Enclosures for Electrical Equipment, Type 3R Outdoor. Constructed of 0.102 thick Aluminum Alloy (5052-H32). Finish - RAL 7035 Light Gray Polyester Powder Coating.

3) Neutral & Equipment Ground Terminations - Provide for Preferred (Utility) & Alternate (Generator) Sources and Load.

4) Conductor Sizes - 260 to 400 amps: (1) 400 MCM - 600 MCM (2) 1/0 AWG - 250 MCM



LEFT SIDE AUTOMATIC TRANSFER SWITCH WITH DOOR

FRONT AUTOMATIC TRANSFER SWITCH WITH DOOR

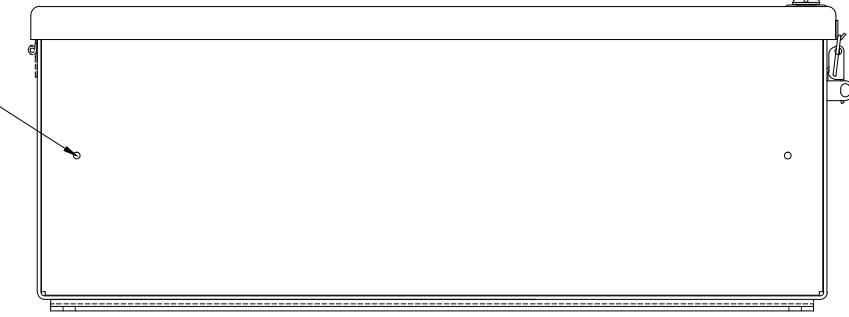
FRONT AUTOMATIC TRANSFER SWITCH WITHOUT DOOR & DEADFRONT

FRONT AUTOMATIC TRANSFER SWITCH WITHOUT DOOR

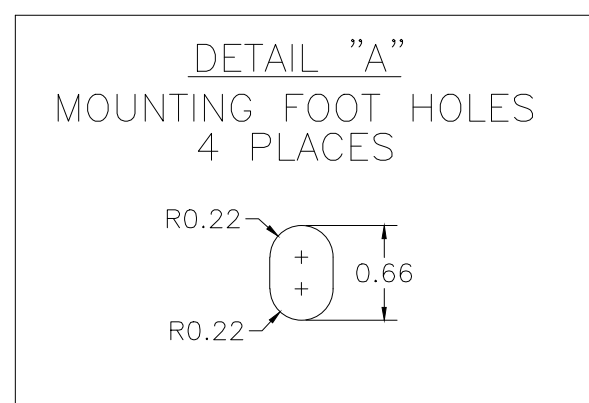
RIGHT SIDE AUTOMATIC TRANSFER SWITCH WITHOUT DOOR & DEADFRONT INSTALLED

REAR AUTOMATIC TRANSFER SWITCH

DRAINAGE HOLES (2 PLACES)



BOTTOM WITH DOOR



D	263771	BWM	SDH	10/19/16	REMOVE EMERSON BADGING
C	238090	DL	JPB	07/19/12	SEE ECN
B	234326	JPB	JPB	10/25/11	SEE ECN
A	224172	DAJ	JPB	8/25/09	SEE ECN
-	221440	JPB	JPB	01/16/09	ISSUE

PROJECT NAME:		185 SERIES		REV. TO SHEET	ECN NO.	BY	APP.	DATE
OUTLINE & MOUNTING		SERIES 185 (260-400 AMPERES)		MANUFACTURING TOLERANCES TO BE IN ACCORDANCE WITH ASCO PROCEDURE MP-1-003. FOR PLASTIC PARTS SEE MP-1-005.		ASSEM. REF. NO.		SCALE 3/16" = 1" SIZE DS
AUTOMATIC OPERATED TRANSFER SWITCH		PROPERTY OF ASCO POWER TECHNOLOGIES. USE PERMITTED FOR OUR WORK ONLY. ALL RIGHTS OF DESIGN OR INVENTION ARE RESERVED.		COMPUTER GENERATED DRAWING		DWG. NO.		861733-001
DRAWN BY	JPB	DATE	01/16/09	DRAWING D		ECN NO.	263771	SHEET 1 OF 1
CHECKED				ASCO		ASCO POWER TECHNOLOGIES, L.P.		
PROJECT APPROVAL				FLORHAM PARK, NEW JERSEY 07932 U.S.A.				
FINAL APPROVAL	JPB	DATE	01/16/09					