

ASC0 185 SERIES SERVICE EQUIPMENT POWER TRANSFER SWITCH RATED 400 AMPS, 240V SINGLE PHASE, 3 WIRE

NOTES:

- 1) Service Equipment Automatic Power Transfer Switch:
ASC0 E01AUS, 2 pole, 400 amperes, 240 vac. Listed to UL 1008, Standard for Transfer Switching Equipment. For use on Optional Standby Systems as defined by NFPA 70 (National Electrical Code (NEC), Article 702).
 - * Suitable for use as service equipment—Normal Source Only. An additional disconnect must be readily accessible for the alternate source, unless the alternate source is an accessible generator and can be readily shutdown.
- Automatic Power Transfer Switch: ASC0 E185, 2 pole, 400 amp, 240 vac. UL Listed to UL 1008 Standard for Transfer Switching Equipment.
- Transfer Controller - ASC0 Group 4 Automatic Transfer Switch Controller including: (Refer to 185 Series Operator's Manual, PN 381333-319, supplied with the transfer switch for detailed information)

User Controls & Status Indication

- Load on Preferred Source (Utility) LED indicator - green
- Load on Alternate Source (Generator) LED indicator - red
- Preferred Source (Utility) Acceptable LED indicator - green
- Alternate Source (Generator) Acceptable LED indicator - red
- Automatic Engine-Generator Exerciser (Setting & Engine Running) LED indicator
- Transfer Test membrane pushbutton
- Bypass Time Delay (active time delay or engine-generator exercise period) membrane pushbutton
- Set Engine Exerciser membrane pushbutton

Time Delays

- Override Momentary Preferred Source (Utility) Outages - Factory set at 3 seconds
- Transfer to Alternate Source (Generator) - Factory set at 10 seconds
- Override Momentary Alternate Source (Generator) Outages - Factory set at 4 seconds
- Retransfer to Preferred Source (Utility) - 5 minutes/fix
- Engine-Generator Unloaded Running (Cooldown) Period - Factory set at 5 minutes

Control Signals

- Engine-Generator Automatic Starting Controls - (1) form C contact
- Load Disconnect Feature - (1) form C contact. Refer to Operator's Manual for detailed explanation of operation.

Remote Controls (Using Customer Supplied Contacts)

- Remote Test Feature
- Remote Test with Automatic Retransfer to Preferred Source (Utility) Feature
- Bypass Time Delay on Retransfer to Preferred Source (Utility) Feature

- 2) Enclosure: Listed to UL 50 Standard for Enclosures for Electrical Equipment, Type 3R Outdoor. Constructed of 0.122 thick Aluminum Alloy (5052-H32). Finish - RAL 7035 Light Gray Polyester Powder Coating.

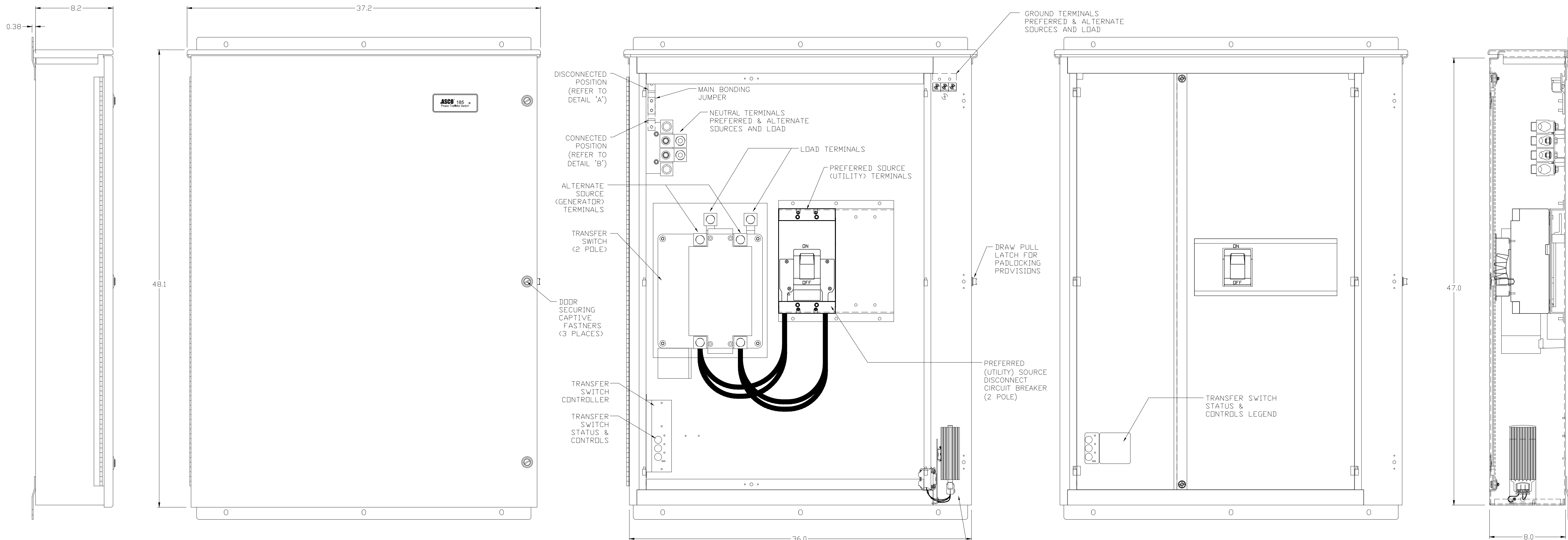
- 3) Neutral & Equipment Ground Terminations - Provide for Preferred (Utility) & Alternate (Generator) Sources and Load.

- 4) Conductor Sizes - 400 amps:
 - Alternate (Generator) Source and Load
 - (1) 400 MCM - 600 MCM
 - (2) 1/0 AWG - 250 MCM
 - Preferred (Utility) Source
 - (1) #1 AWG - 600 MCM
 - (2) #1 AWG - 250 MCM

- 5) Main Bonding Jumper factory installed in the Disconnected position.

- 6) When used for Service Entrance the Main Bonding Jumper is to be removed from the Disconnected position and re-installed in the Connected position, with the existing hardware and one (1) additional 1/4"-20 thread forming screw, which connects the Main Bonding Jumper to the Neutral Terminal Assembly.

- 7) Short Circuit Rating:
 - (Main): 42kA at 240 vac (Preferred (Utility) Source Disconnect Circuit Breaker), Square-D Cat. No. LAL26400, 2 pole, 400 amp.



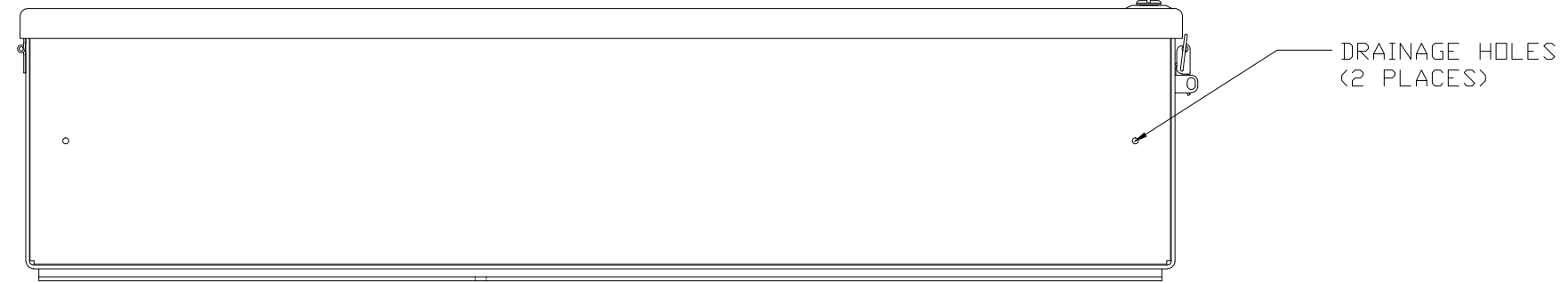
LEFT SIDE AUTOMATIC TRANSFER SWITCH WITH DOOR

FRONT AUTOMATIC TRANSFER SWITCH WITH DOOR

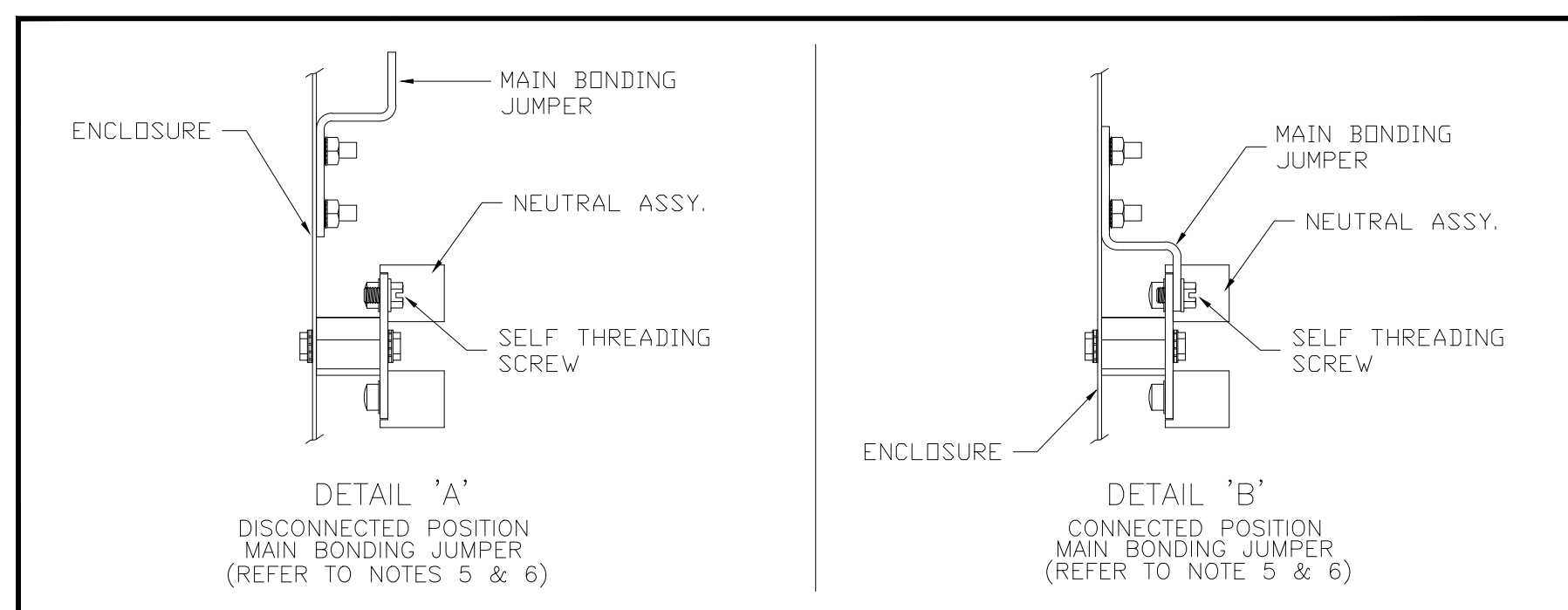
FRONT AUTOMATIC TRANSFER SWITCH WITHOUT DOOR AND SWINGOUT DOORS

FRONT AUTOMATIC TRANSFER SWITCH WITHOUT DOOR

RIGHT SIDE AUTOMATIC TRANSFER SWITCH WITHOUT DOOR

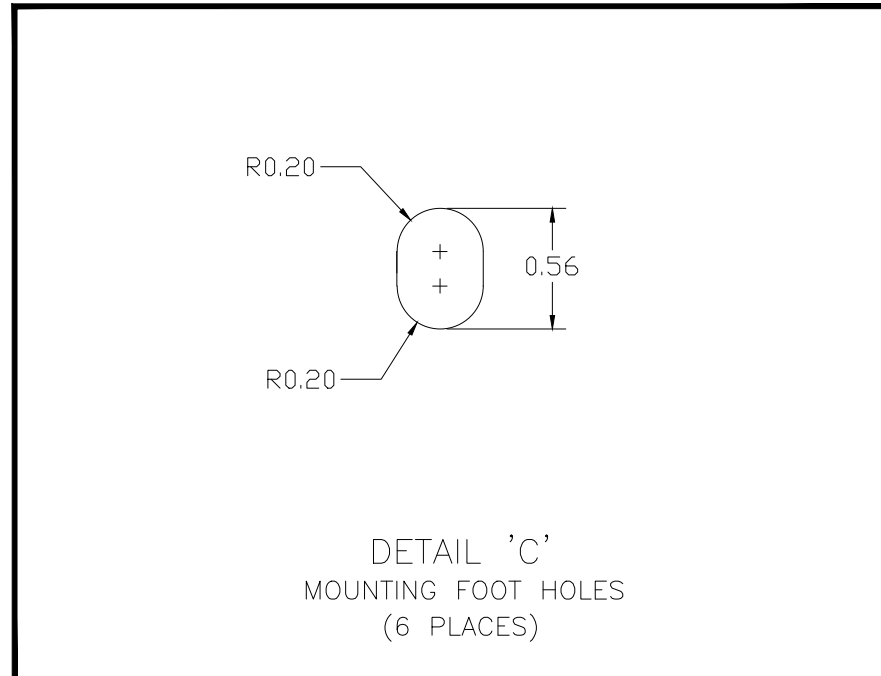
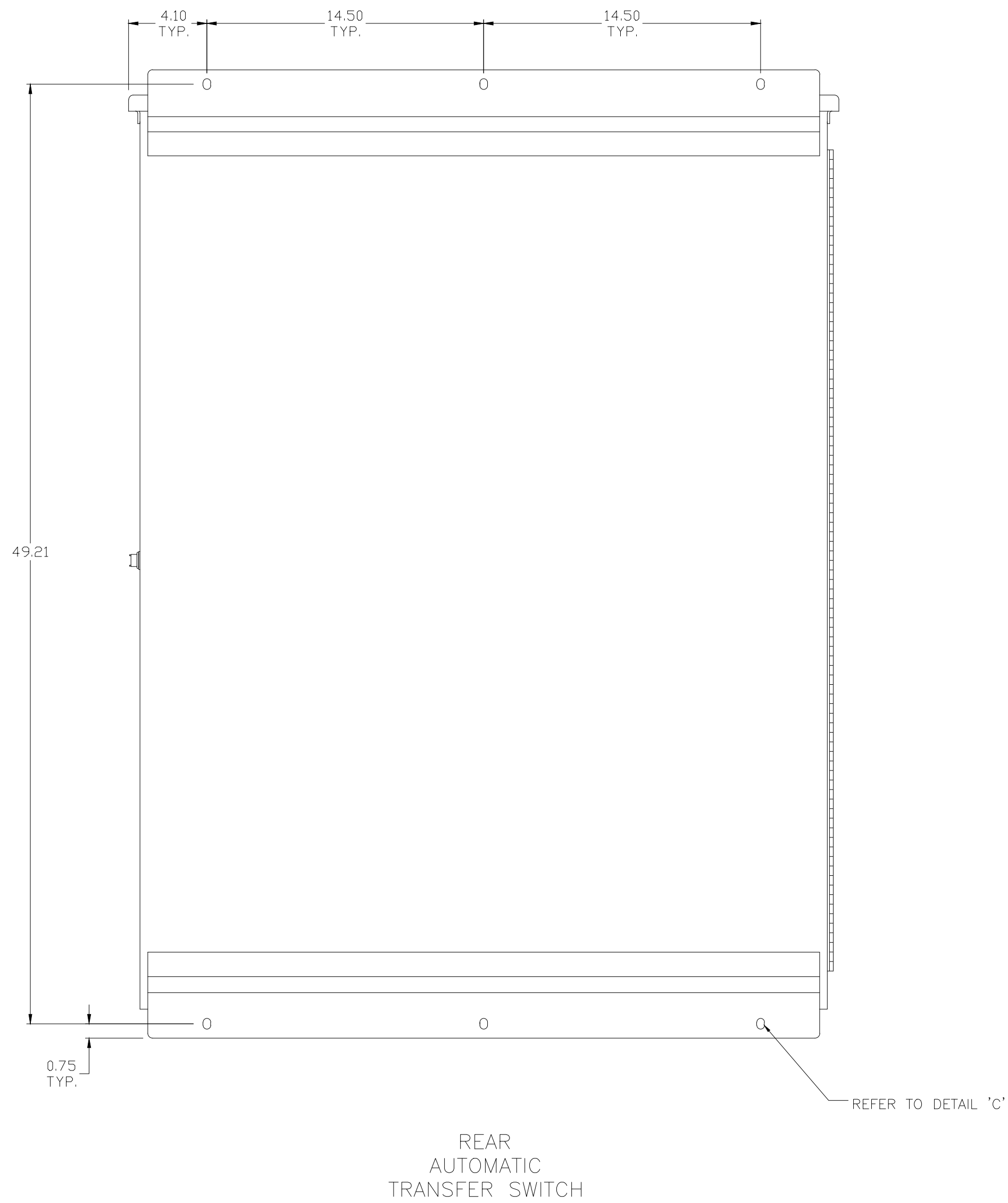


BOTTOM WITH DOOR



E	263955	BWM	SDH	10/31/16
D	238080	DL	JPM	07/19/12
C	234194	BK	JPB	10/17/10
B	224172	DAJ	JPB	8/24/09
A	222663	JPB	JPB	0422/09

PROJECT NAME:		REV. TO SHEET	ECN NO.	BY	APP.	DATE
OUTLINE & INSTALLATION						
SERIES 185, 400A, TYPE 3R, E01AUS, GRP 4 CONTROLLER						
SUITABLE FOR SERVICE EQUIPMENT - NORMAL SOURCE ONLY						
DRAWN BY	DATE	MANUFACTURING TOLERANCES TO BE IN ACCORDANCE WITH ASCO PROCEDURE MP-1-003. FOR PLASTIC PARTS SEE MP-1-005	ASSEM. REF. NO.	COMPUTER GENERATED DRAWING		
CHECKED	DATE	PROPERTY OF ASCO POWER TECHNOLOGIES. USE PERMITTED FOR OUR WORK ONLY. ALL RIGHTS OF DESIGN OR INVENTION ARE RESERVED.		SCALE	SIZE	DS
PROJECT APPROVAL				861354-001		
FINAL APPROVAL	JPB	01/16/09		ASC0	ASC0 POWER TECHNOLOGIES, L.P.	FLORHAM PARK, NEW JERSEY 07932 U.S.A.
				REV. E	ECN NO. 263955	SHEET 1 OF 2



E	263955	BWM	SDH	10/31/16
D	238080	DL	JPM	07/19/12
C	234194	BK	JPB	10/17/10
B	224172	DAJ	JPB	8/24/09
A	222663	JPB	JPB	04/22/09
-	221440	JPB	JPB	01/16/09
-	-	-	-	ISSUE

PROJECT NAME:		REV. TO SHEET	ECN NO.	BY	APP.	DATE
OUTLINE & INSTALLATION						
SERIES 185, 400A, TYPE 3R, E01AUS, GRP 4 CONTROLLER						
SUITABLE FOR SERVICE EQUIPMENT - NORMAL SOURCE ONLY						
BY	DATE	MANUFACTURING TOLERANCES TO BE IN ACCORDANCE WITH ASCO PROCEDURE MP-1-003. FOR PLASTIC PARTS SEE MP-1-005.		ASSEM. REF. NO.	COMPUTER GENERATED DRAWING	
DRAWN BY	JPB	01/16/09			SCALE 3/16" = 1" SIZE DS	
CHECKED			PROPERTY OF ASCO POWER TECHNOLOGIES. USE PERMITTED FOR OUR WORK ONLY. ALL RIGHTS OF DESIGN OR INVENTION ARE RESERVED.		DWG. NO.	
PROJECT APPROVAL					861354-001	
FINAL APPROVAL	JPB	01/16/09	ASCO POWER TECHNOLOGIES, L.P. FLORHAM PARK, NEW JERSEY 07932 U.S.A.		DRAWING E	ECN NO. 263955 SHEET 2 OF 2