


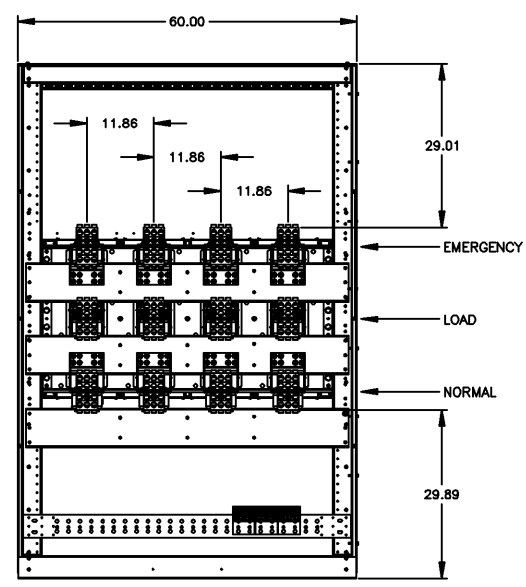
# OUTLINE FOR ASCO® 4000 & 7000 SERIES 4000 AMPERE "G" FRAME (ATS,ACTS,ADTS) REAR CONNECTED TRANSFER SWITCHES TYPE 1 ENCLOSURE

## GENERAL NOTES

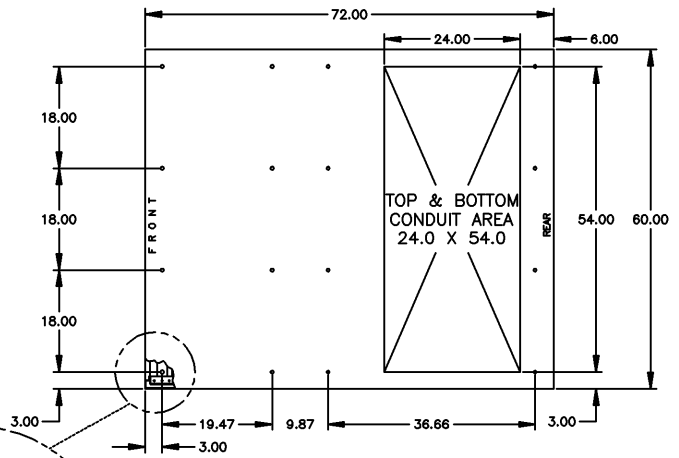
- TYPE 1 ENCLOSURE. FREE STANDING. FLOOR MOUNTED. CODE GAUGE FORMED FRAME CONSTRUCTION.
- PAN TYPE DOOR WITH KEY LOCKABLE HANDLE.
- FINISH: ANSI 61 GRAY, POLYESTER POWDER STANDARD. OTHER ANSI COLORS AVAILABLE CONSULT FACTORY UL RECOGNIZED.
- CONSTRUCTION IS IN ACCORDANCE WITH APPLICABLE REQUIREMENTS OF UL 1008.
- RECOMMENDED CLEARANCES:  
FRONT: 38 INCHES  
REAR: 36 INCHES
- A 20% RATED GROUND BUS IS PROVIDED.
- UNIT IS DESIGNED FOR COMBINATION TOP AND BOTTOM CABLE ENTRY. THE STANDARD SWITCH CONFIGURATION IS FOR EMERGENCY SOURCE ON TOP AND NORMAL SOURCE ON BOTTOM. OPTIONALLY, THE SWITCH MAY BE SUPPLIED WITH REVERSE NORMAL & EMERGENCY SOURCES. (REFER TO THE WIRING DIAGRAM FURNISHED WITH EACH TRANSFER SWITCH TO DETERMINE TERMINATION POSITIONS).
- NEUTRAL CONFIGURATIONS:  
AN OPTIONAL FULL RATED NEUTRAL CONFIGURATION FOR EACH SOURCE AND THE LOAD MAY BE PROVIDED. WHEN EQUIPPED IT IS IN ONE OF THE FOLLOWING FORMATS AS SPECIFIED BY THE CATALOG NUMBER NO. NEUTRAL TYPE:  
(A) SOLID (COPPER BUS) NEUTRAL  
(B) SWITCHED NEUTRAL POLE  
(C) OVERLAPPING NEUTRAL POLE (NOT AVAILABLE ON ACTS/ADTS UNITS)
-  CENTER OF GRAVITY—SEE TABLE BELOW
- NO KNOCKOUTS ARE PROVIDED.
- CUSTOMER TERMINAL BLOCKS:  
FOR ALL 7000 SERIES UNITS THE TB WILL BE MOUNTED ON THE UPPER RIGHT INSIDE OF ENCLOSURE.  
FOR 4000 SERIES UNITS TB WILL BE MOUNTED ON THE TRANSFER SWITCH FRAME AS INDICATED.

## CABLING NOTES

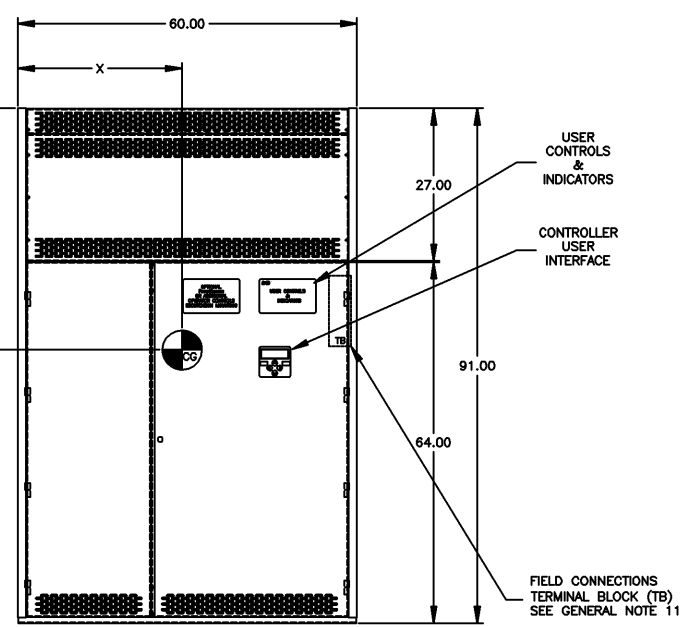
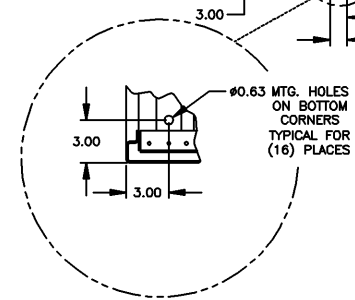
- SUPPLIED WITH STANDARD MECHANICAL (SCREW TYPE) LUGS ON THE NORMAL, EMERGENCY & LOAD SUITABLE FOR CONNECTION OF TWELVE (12) 1/0 - 750MCM CU/AL CABLES. SUITABLE WIRE BENDING SPACE IS PROVIDED FOR UP TO TWELVE (12) 750 MCM CABLES PER TERMINAL PER NFPA 70.
- OPTIONAL LUGS:  
REFER TO LUG INSTALLATION DATA PROVIDED WITH THE UNIT FOR FULL INSTALLATION DETAILS.
- GROUND LUGS ARE PROVIDED STANDARD AS FOLLOWS:  
(18) 1/0 - 750MCM CU/AL CABLES.
- CONSULT FACTORY FOR OTHER TERMINATION REQUIREMENTS.



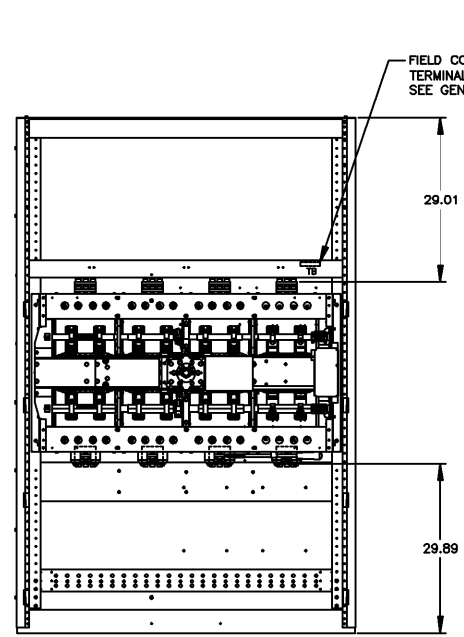
REAR VIEW



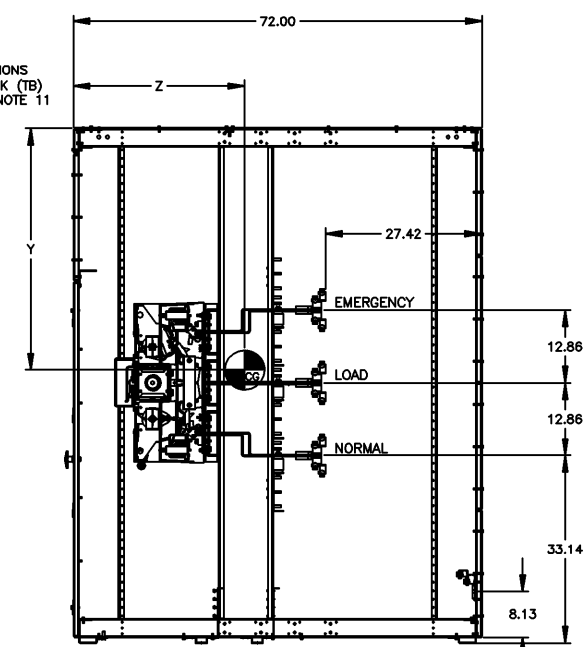
PLAN VIEW



FRONT VIEW



FRONT VIEW WITHOUT COVERS



RIGHT SIDE VIEW WITHOUT COVERS

TABLE 1.0 SHIPPING WEIGHT/LBS, AND CENTER OF GRAVITY

AMP SIZE	POLES	WEIGHTS LBS	CENTER OF GRAVITY INCHES		
			X	Y	Z
4000	2	1969	28.7	42.3	30.9
	B2	2149	28.3	42.5	30.6
	C2	2135	30.1	42.5	30.6
	3	2149	28.3	42.5	30.6
	B3	2328	29.8	42.7	30.3
	C3	2315	29.7	42.7	30.3

TABLE 2.0 CATALOG PREFIX

TS SERIES	PREFIX
4000	4ATS
	4NTS
	4ACTS
	4NCTS
	4ADTS
	4NDTS
7000	7ATS
	7NTS
	7ACTS
	7NCTS
	7ADTS
	7NDTS

H	227496	TR	WK	05/20/10
G	225461	BWM	BWM	12/09
F	223713	BWM	SDH	7/15/09
E	222265	WK	BK	3/19/09
D	222147	BWM	BWM	3/10/09
C	221384	TR	BK	1/14/09
B	221214	JPB	JPB	12/29/08
A	220882	BWM	SDH	11/10/08
-	218196	BWM	JPB	4/28/08

PROJECT NAME: **OUTLINE**  
**4000/7000 SERIES,ATS,ACTS,ADTS**  
**4000 AMP, TYPE 1**

MANUFACTURING TOLERANCES TO BE IN ACCORDANCE WITH ASCO PROCEDURE MP-1-003. FOR PLASTIC PARTS SEE MP-1-005.

PROPERTY OF ASCO POWER TECHNOLOGIES. USE PERMITTED FOR OUR WORK ONLY. ALL RIGHTS OF DESIGN OR INVENTION ARE RESERVED.

ASCO POWER TECHNOLOGIES, LP.  
 FLOORHAM PARK, NEW JERSEY 07832 U.S.A.

SCALE: 1/11 SIZE: DS  
 DWG. NO. **844459**  
 DRAWING H. REV. 1. EGN NO. 227496 SHEET 1 OF 1