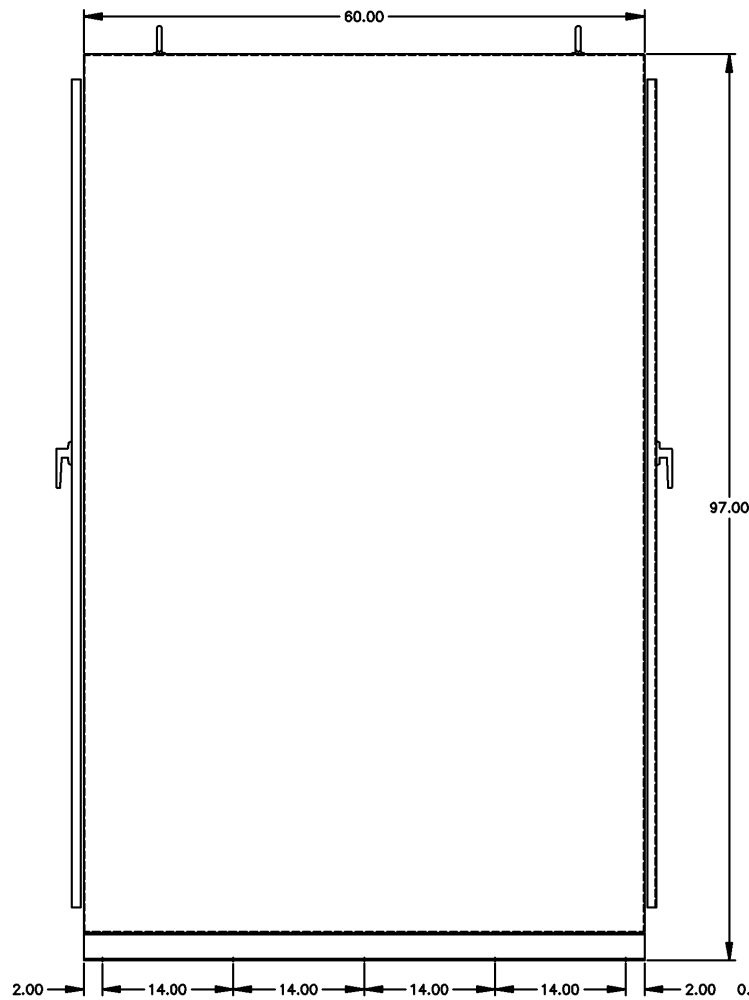
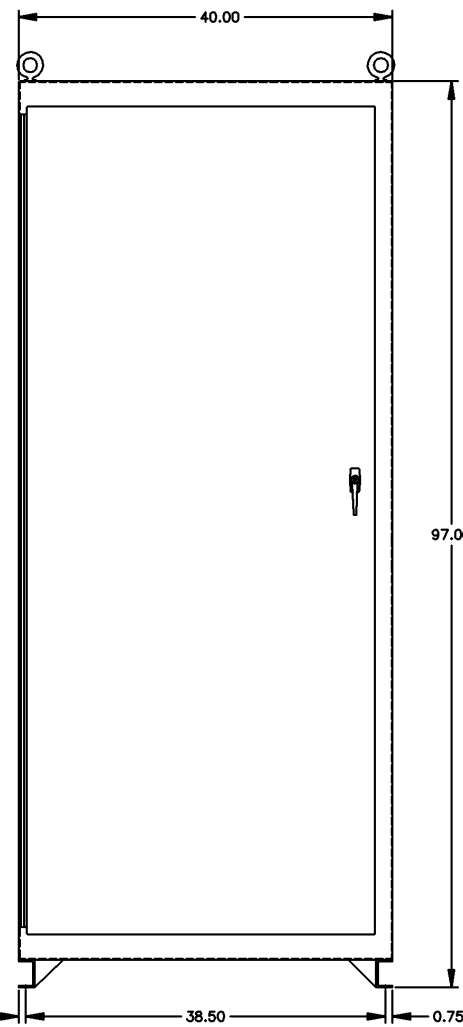


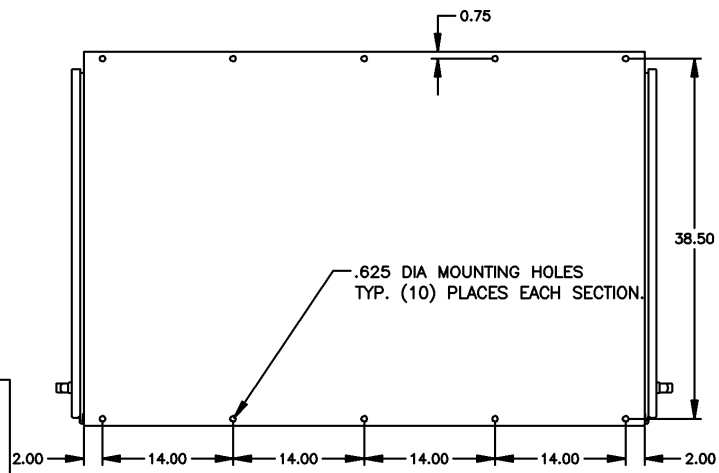
REAR VIEW



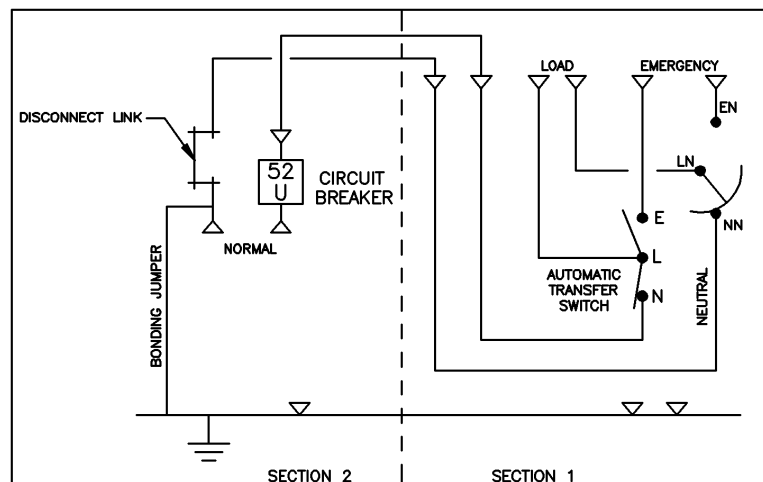
SIDE VIEW



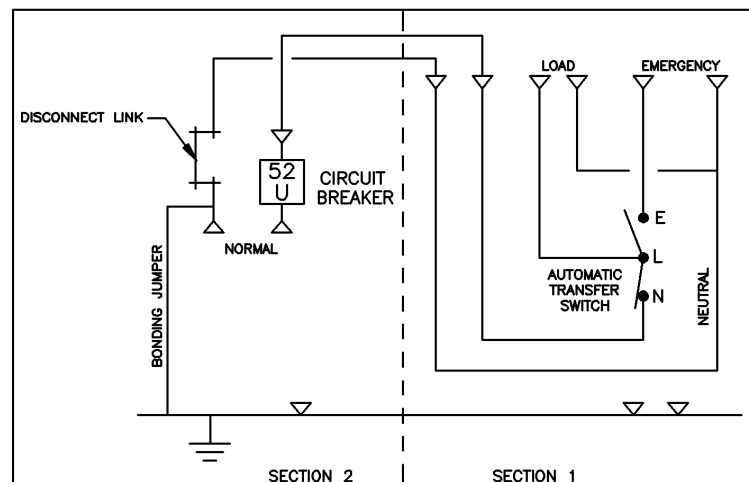
FRONT VIEW



PLAN VIEW



ONE LINE DIAGRAM
(WITH SWITCHED NEUTRAL)



ONE LINE DIAGRAM
(WITH SOLID NEUTRAL)

GENERAL NOTES

- TYPE 12 SECURE ENCLOSURE. FREE STANDING. CODE GAUGE STEEL. SEAMWELDED CONSTRUCTION.
- DOOR SUPPLIED WITH A KEY LOCKING HANDLE & 3-POINT CATCH.
- FINISH: ANSI 61 GRAY POLYESTER SEMI GLOSS ELECTROSTATIC POWDER.
- RECOMMENDED CLEARANCES:
FRONT: 38 INCHES
- ALL BUS IS SILVER-PLATED COPPER, BASED ON 1000A PER SQ. IN. DENSITY.
- A FULL RATED NEUTRAL CONNECTION FOR EACH SOURCE AND THE LOAD IS OPTIONAL. WHEN PROVIDED IT IS IN ONE OF THE FOLLOWING FORMATS AS SPECIFIED BY THE CATALOG NO. NEUTRAL TYPE;
 - SOLID (COPPER BUS) NEUTRAL (PROVIDED STANDARD ON H3AUS)
 - SWITCHED NEUTRAL POLE (SHOWN)
 - OVERLAPPING NEUTRAL POLE (NOT AVAILABLE ON 7ACUS/7ADUS UNITS)
- DESIGNED FOR FRONT AND REAR ACCESS.
- FOR SPECIFIED TRANSFER SWITCH, REFER TO OPERATOR'S MANUAL PROVIDED WITH UNIT.
- SECTION 1 & SECTION 2 SHIP AS 1 UNIT (NO SHIPPING SPLIT).
SECTION 1 & SECTION 2 ARE MOUNTED INSIDE TYPE 12 ENCLOSURE.

SPECIFICATIONS

- SERVICE VOLTAGE:
SYSTEM RATING: 150 AMPS, 175 AMPS, 200 AMPS, 225 AMPS, 250 AMPS,
300 AMPS, 350 AMPS, 400 AMPS, 3Ø, 4W OR 1Ø, 3W.
GROUND BUS- 20% RATED BUS IS PROVIDED.
SHORT CIRCUIT RATING- 35,000 RMS SYM AMPERES @ 480V (LOWEST RATED DEVICE)
SHORT CIRCUIT RATING- 65,000 RMS SYM AMPERES @ 240V (LOWEST RATED DEVICE)
THE EMERGENCY SOURCE INPUT MUST BE PROTECTED BY A REMOTE OVERCURRENT PROTECTION DEVICE AS LISTED ON THE MARKINGS ON THE TRANSFER SWITCH.
- BATTERY VOLTAGE: N/A
- NEUTRAL BUS: 150 AMPS, 260 AMPS, 400 AMPS
- APPLICABLE LABELS: U.L. 891- SUITABLE ONLY FOR USE AS SERVICE EQUIPMENT.

CABLING NOTES

- ALL SIZES SUPPLIED STANDARD WITH MECHANICAL (SCREW TYPE) LUGS. (SEE AMP SIZE BELOW)
 - LUG MATERIAL: ALUMINUM ALLOY 6061-T6 WITH ELECTRO TIN PLATED FINISH.
 - SCREW MATERIAL: ALUMINUM ALLOY 6262-T9 WITH ELECTRO TIN PLATED FINISH.
 - UL LISTED, CSA CERTIFIED.
 - LUG SCREW TIGHTENING TORQUE PER UL 486B: 19 FT-LBS.
 - SUITABLE WIRE BENDING SPACE IS PROVIDED. (SEE AMP SIZE BELOW)
- OPTIONAL COPPER CRIMP LUGS MAY BE SUPPLIED. (SEE AMP SIZE BELOW)
 - LUG MATERIAL: HIGH CONDUCTIVITY WROUGHT COPPER FINISH, ELECTRO TIN PLATED.
 - UL LISTED, CSA CERTIFIED.
 - LUG MOUNTING HARDWARE TIGHTENING TORQUE: (REFER TO WITHSTAND CURRENT RATING LABEL PROVIDED ON EACH TRANSFER SWITCH).
 - SUITABLE WIRE BENDING SPACE IS PROVIDED. (SEE AMP SIZE BELOW)
- CONSULT FACTORY FOR OTHER TERMINATION REQUIREMENTS.

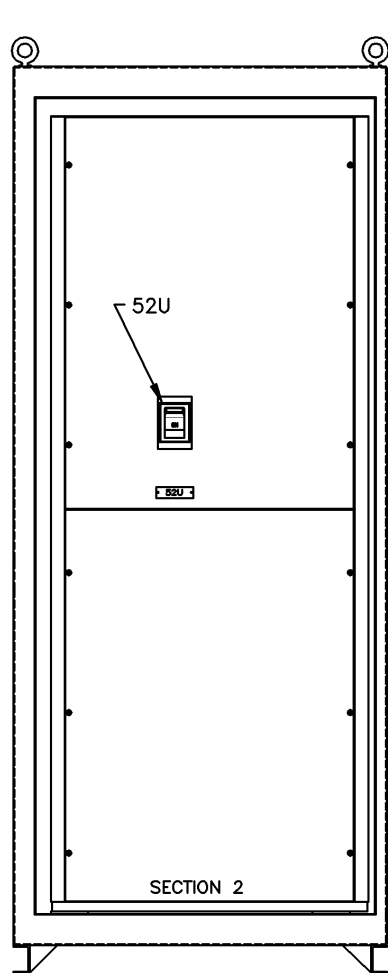
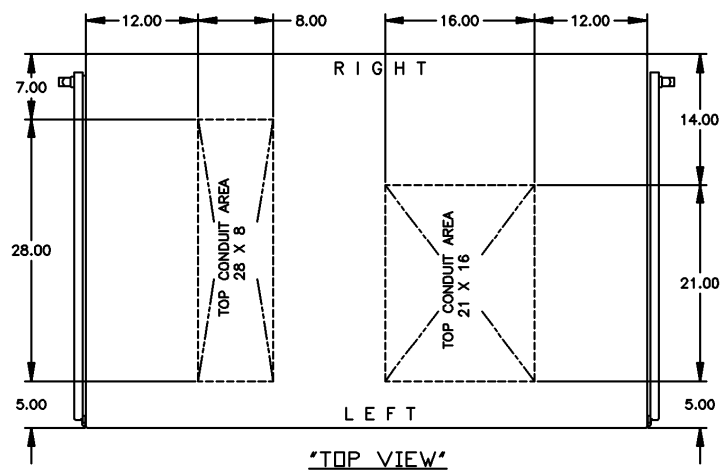
NOTES 150A - 400A

- SUPPLIED WITH STANDARD MECHANICAL (SCREW TYPE) LUGS ON THE EMERGENCY & LOAD. ONE (1) LUG PER PHASE AND NEUTRAL EACH SUITABLE FOR CONNECTION OF (1) #4-600MCM OR (2) 1/0 - 250MCM CU/AL CABLE
- SUPPLIED WITH STANDARD MECHANICAL (SCREW TYPE) LUGS ON THE NORMAL. ONE (1) LUG PER PHASE AND NEUTRAL EACH SUITABLE FOR CONNECTION OF (1) #1-600MCM OR (2) #1-250MCM CU/AL CABLE
 - SUITABLE WIRE BENDING SPACE IS PROVIDED FOR UP TO ONE (1) 600MCM CABLE PER TERMINAL PER NEC.
- GROUND LUGS ARE PROVIDED STANDARD
(3) #4-600MCM

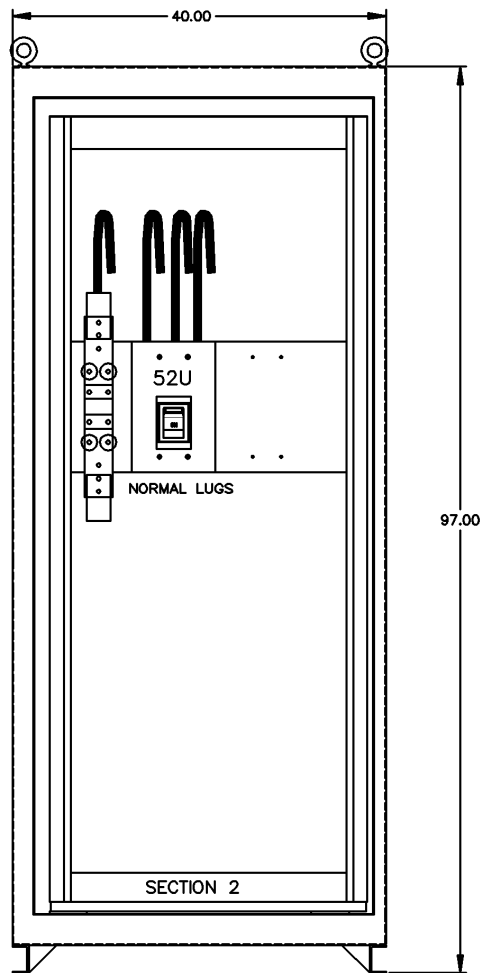
CIRCUIT BREAKER: ITEM 52U

SQUARE "D" 80% RATED TYPE 'LHL', 400AF/150AT, 400AF/175AT, 400AF/200AT, 400AF/225AT, 400AF/250AT, 400AF/300AT, 400AF/350AT, 400AF/400AT, MOLDED CASE CIRCUIT BREAKER, THERMAL MAGNETIC, TRIP SETTINGS.

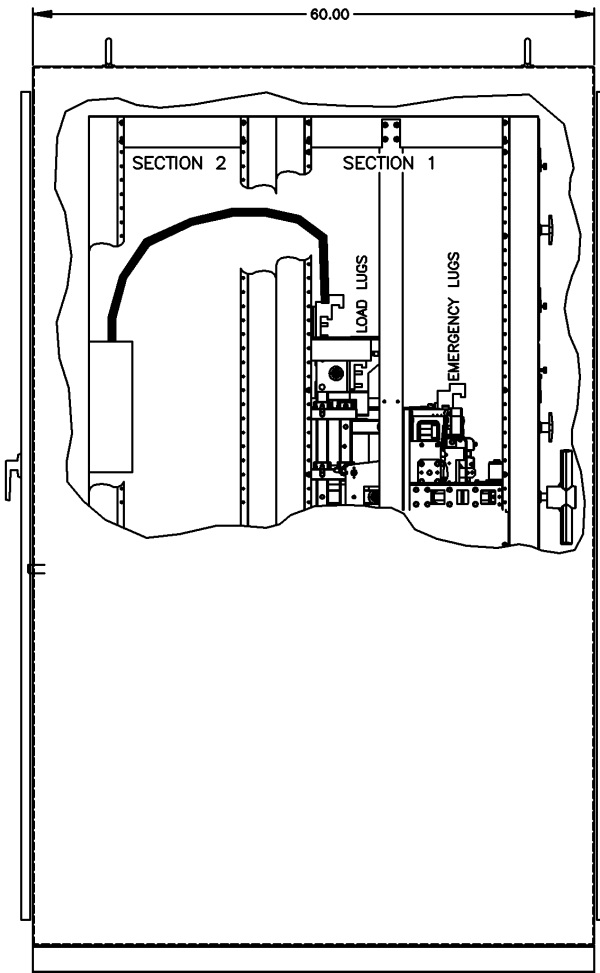
PROJECT NAME:		224571	DP	RN	10/5/09
REV. TO SHEET	EDN. NO.	BY	APP.	DATE	
OUTLINE		MOUNTING			
JAUB 150A - 400A, LH SERVICE ENTRANCE BREAKER					
TYPE 12 97 X 40 X 60 DUAL ACCESS					
DRAWN BY	DATE	MANUFACTURING TOLERANCES TO BE IN ACCORDANCE WITH ASQC PROCEDURE MP-1-003. FOR PLASTIC PARTS SEE MP-1-005		ASS'N. REF. NO.	COMPUTER GENERATED DRAWING
CHECKED	DATE	PROPERTY OF ASCO POWER TECHNOLOGIES. USE PERMITTED FOR OUR WORK ONLY. ALL RIGHTS OF DESIGN OR INVENTION ARE RESERVED.		DWG. NO.	SCALE 3/8" = 1" SIZE DS
PROJECT APPROVAL		ASCO POWER TECHNOLOGIES, L.P.		843062-018	
FINAL APPROVAL		FLORHAM PARK, NEW JERSEY 07932 U.S.A.		DRAWING NO. 224571	SHEET 1 OF 2



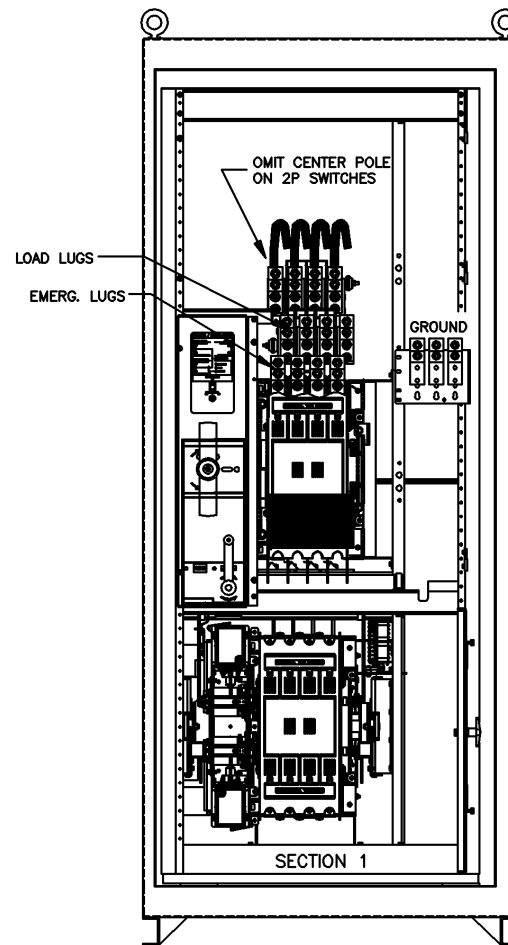
REAR VIEW
(WITHOUT OUTER DOOR)



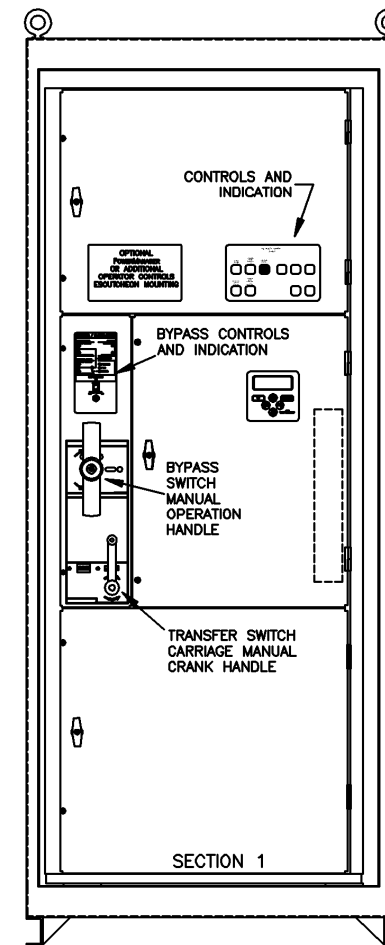
REAR VIEW
(WITHOUT INSIDE COVERS)



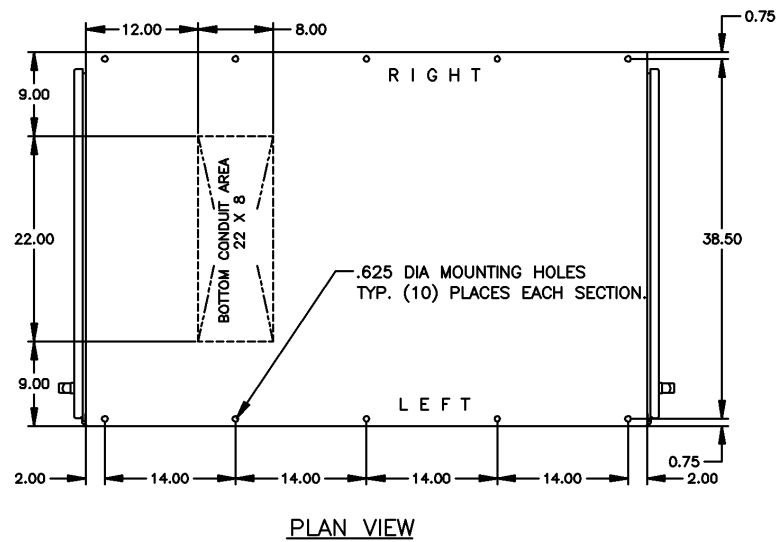
LEFT SIDE VIEW



FRONT VIEW
(WITHOUT INSIDE COVERS)



FRONT VIEW
(WITHOUT OUTER DOOR)



PROJECT NAME:		224571	DP	RN	10/5/09
REV. TO SHEET	EDN. NO.	BY	APP.	DATE	
OUTLINE		MOUNTING			
JAUB 150A - 400A, LH SERVICE ENTRANCE BREAKER					
TYPE 12 97 X 40 X 60 DUAL ACCESS					
DRAWN BY	DATE	MANUFACTURING TOLERANCES TO BE IN ACCORDANCE WITH ASCO PROCEDURE MP-1-003. FOR PLASTIC PARTS SEE MP-1-005.		ASSEM. REF. NO.	COMPUTER GENERATED DRAWING
CHECKED		PROPERTY OF ASCO POWER TECHNOLOGIES. USE PERMITTED FOR OUR WORK ONLY. ALL RIGHTS OF DESIGN OR INVENTION ARE RESERVED.		SCALE 3/32" = 1"	SIZE DS
PROJECT APPROVAL		DWG. NO.		843062-018	
FINAL APPROVAL		DRAWING REV.		224571	SHEET 2 OF 2
		ASCO POWER TECHNOLOGIES, L.P.		FLORHAM PARK, NEW JERSEY 07932 U.S.A.	