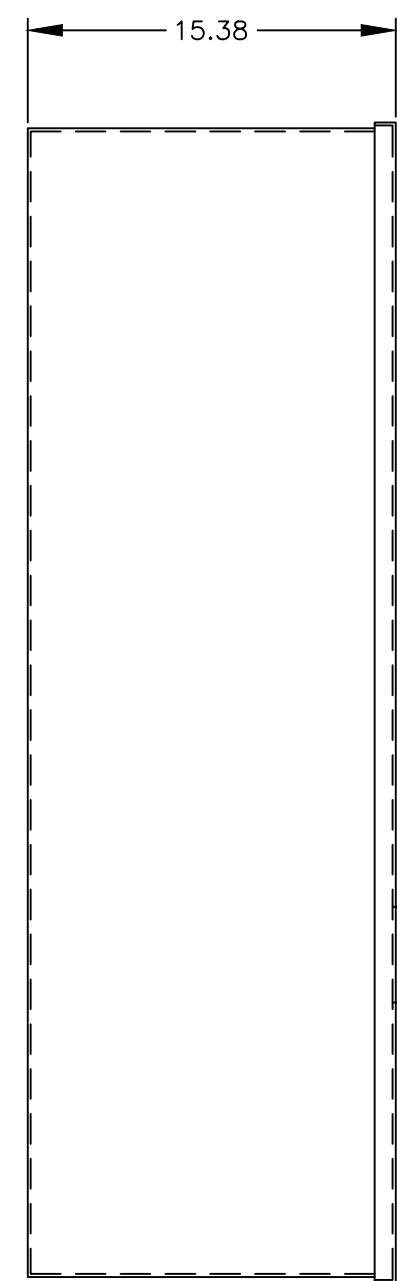
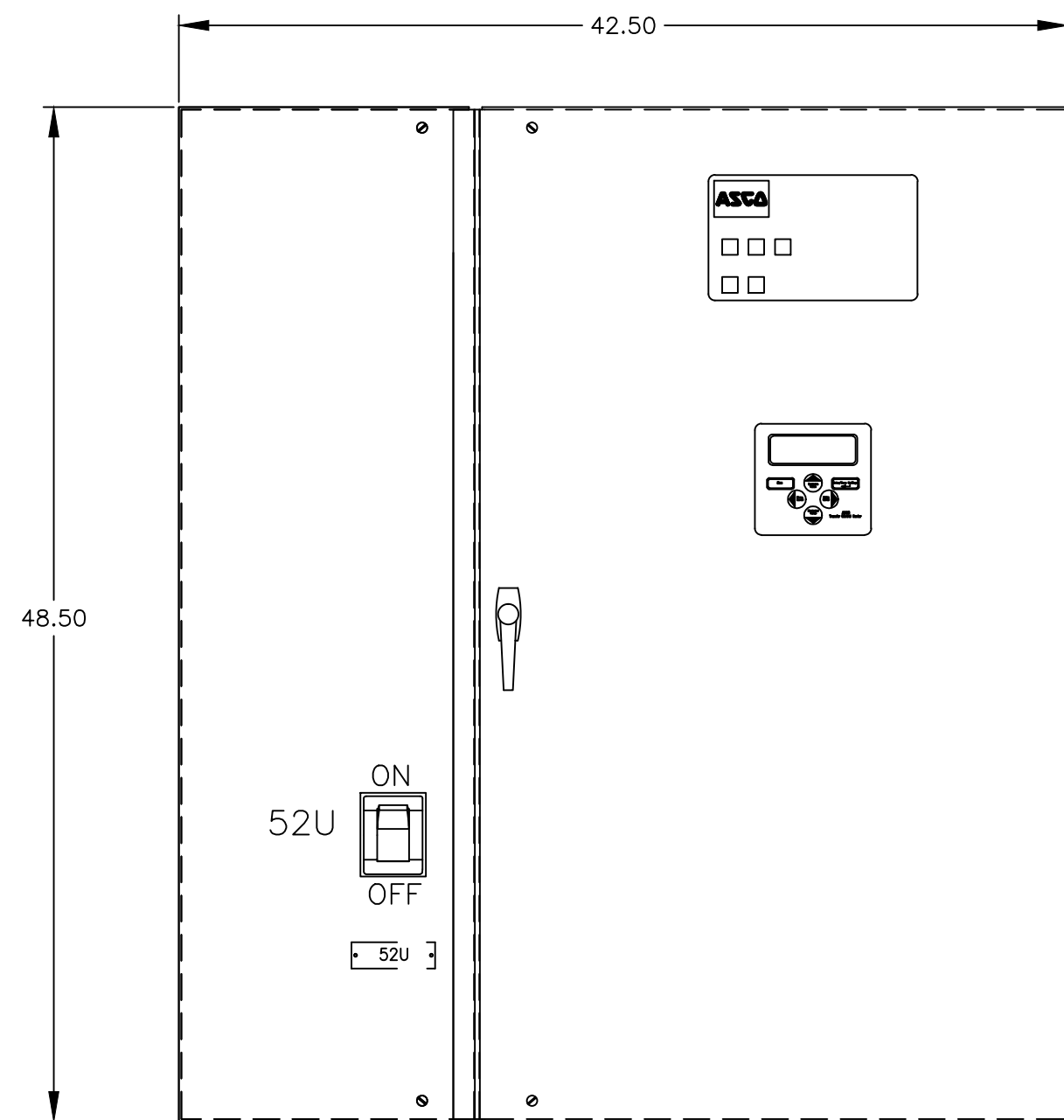


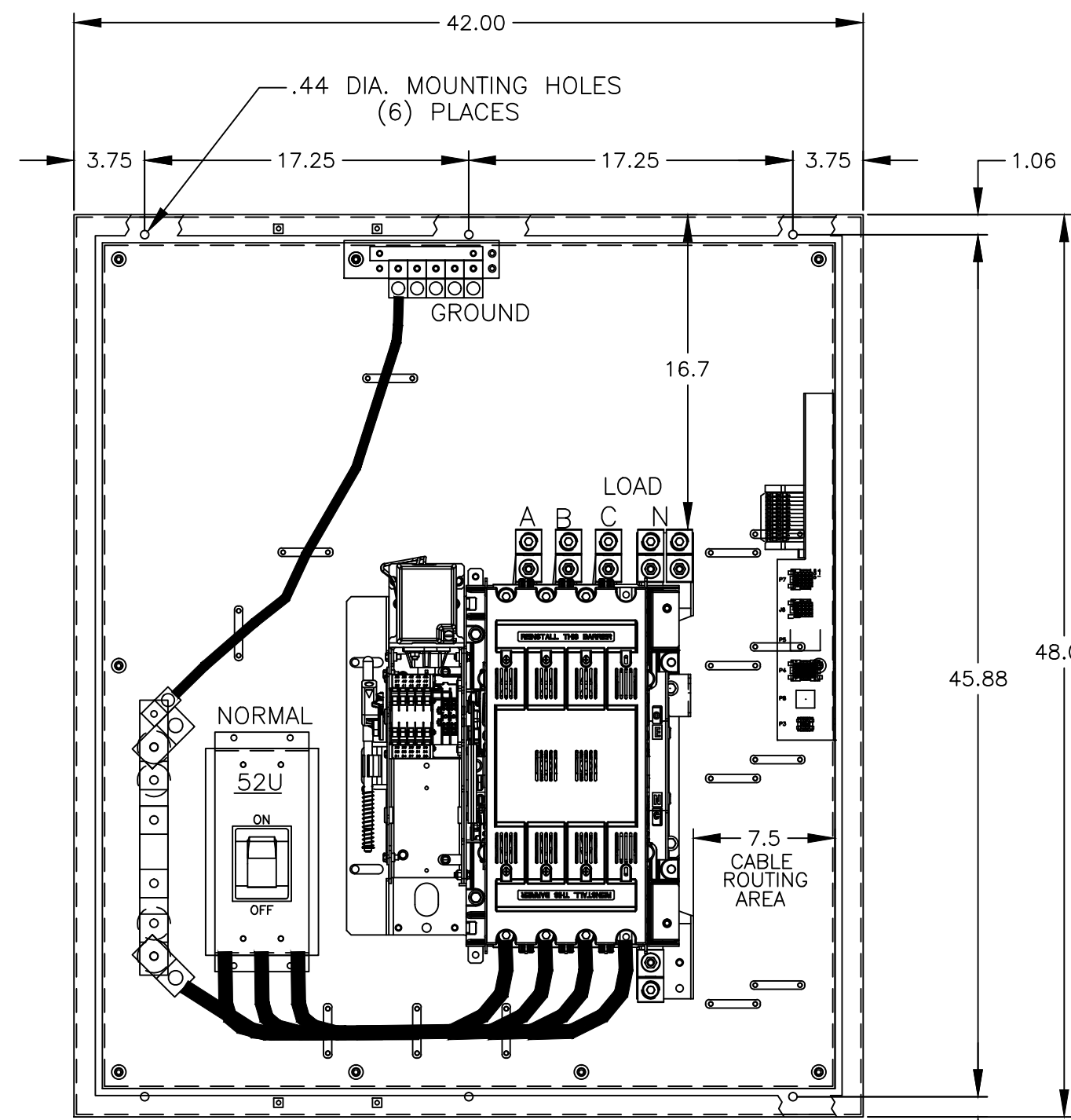
TOP VIEW



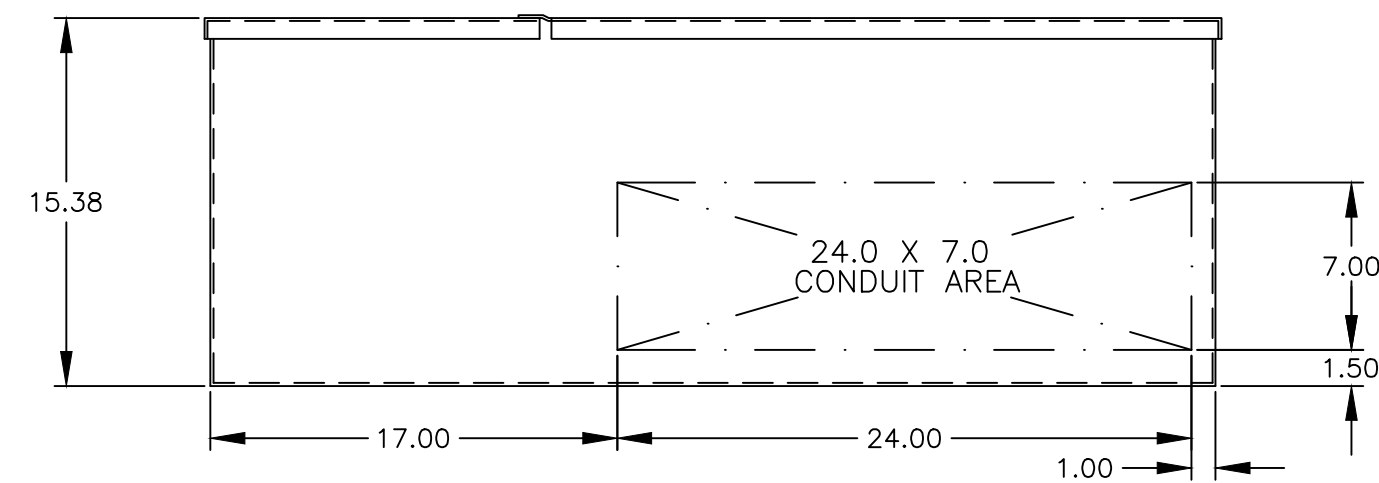
SIDE VIEW



FRONT VIEW



FRONT VIEW WITHOUT DOORS



BOTTOM VIEW

GENERAL NOTES

1. TYPE 1 ENCLOSURE. WALL MOUNTED. CODE GAUGE STEEL.
2. DOOR HAS A KEY LOCKABLE HANDLE AND CAPTIVE SCREWS AS REQUIRED.
3. FINISH: ANSI 61 GRAY POLYESTER SEMI GLOSS ELECTROSTATIC POWDER.
4. RECOMMENDED CLEARANCES:  
FRONT: 36 INCHES
5. A FULL RATED NEUTRAL CONNECTION FOR EACH SOURCE AND THE LOAD IS OPTIONAL. WHEN PROVIDED IT IS IN ONE OF THE FOLLOWING FORMATS AS SPECIFIED BY THE CATALOG NO. NEUTRAL TYPE;
  - A. SOLID (COPPER BUS) NEUTRAL
  - B. SWITCHED NEUTRAL POLE
  - C. OVERLAPPING NEUTRAL POLE (NOT AVAILABLE ON 7ACUS/7ADUS UNITS)
6. DESIGNED FOR FRONT ACCESS
7. FOR SPECIFIED TRANSFER SWITCH, REFER TO OPERATOR'S MANUAL PROVIDED WITH UNIT.

SPECIFICATIONS

1. SERVICE VOLTAGE:  
SYSTEM RATING: 150 AMPS, 175 AMPS, 200 AMPS, 225 AMPS, 250 AMPS, 300 AMPS, 350 AMPS, 400 AMPS. 3 $\phi$ , 4W OR 1 $\phi$ , 3W.  
GROUND BUS- 20% RATED  
SHORT CIRCUIT RATING- 35,000 AIC RMS SYM @ 480V, 65,000 AIC RMS SYM @ 240V.  
EMERGENCY SIDE MUST PROTECTED WITH OVERCURRENT PROTECTION DEVICE.
2. NEUTRAL BUS: 100% RATED
3. APPLICABLE LABELS: U.L. 1008 - SUITABLE ONLY FOR USE AS SERVICE EQUIPMENT.

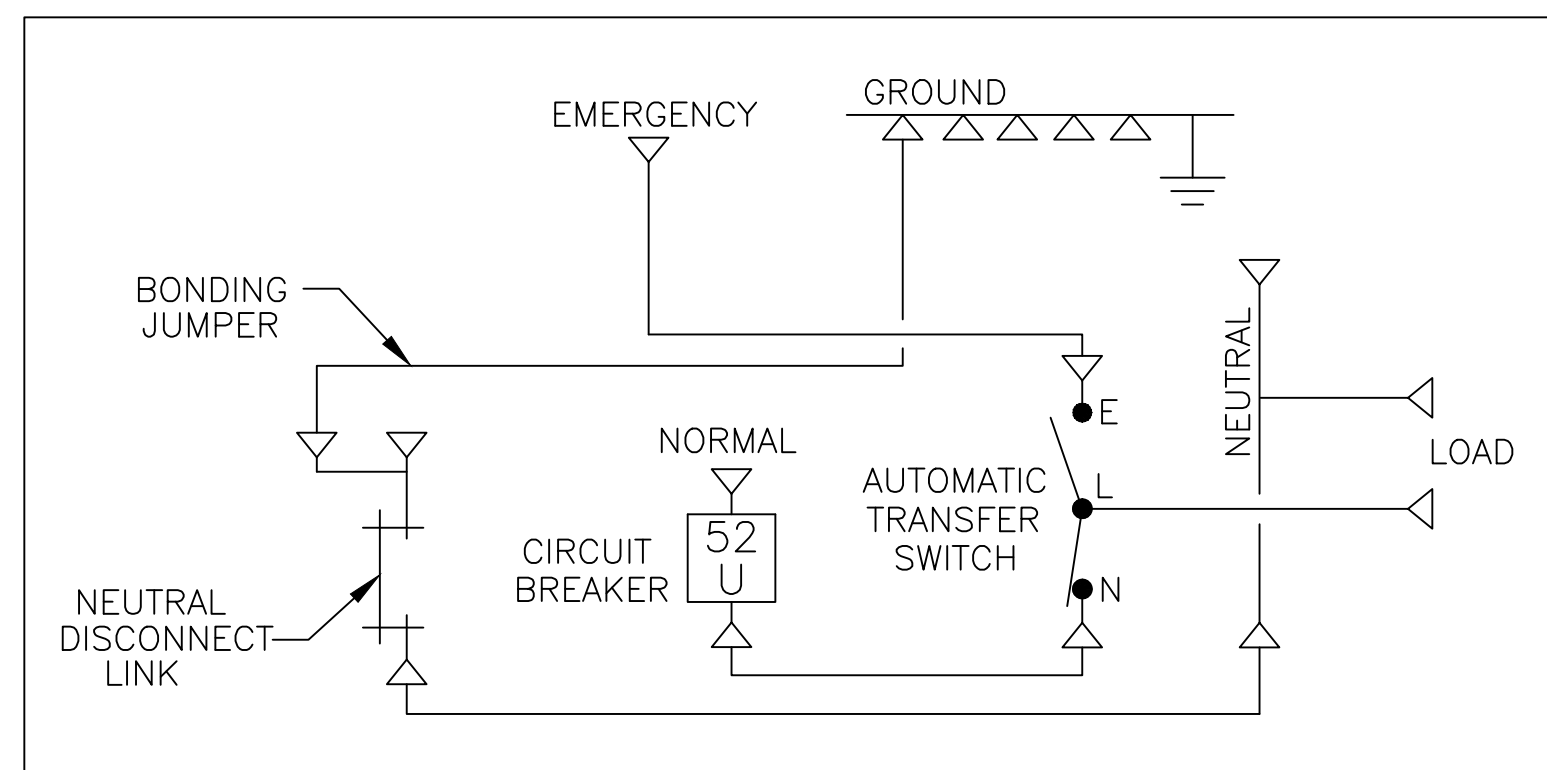
CABLING NOTES 150-400 AMPS

1. SUPPLIED WITH ALUMINUM, MECHANICAL (SCREW TYPE) LUGS.
  - A. CONSULT FACTORY FOR OTHER TERMINATION REQUIREMENTS.
  - B. SUITABLE WIRE BENDING SPACE IS PROVIDED AS PER NEC.
2. NORMAL: (52U) SUITABLE CONNECTION FOR OF (1) #4 - 600MCM OR (2) 1/0 - 250MCM CU/AL CABLES
3. LOAD: SUITABLE CONNECTION FOR OF (1) #4 - 600MCM OR (2) 1/0 - 250MCM CU/AL CABLES
4. EMERGENCY: SUITABLE CONNECTION FOR OF (1) #4 - 600MCM OR (2) 1/0 - 250MCM CU/AL CABLES
5. GROUND: SUITABLE CONNECTION FOR OF (4) #6 - 250MCM CU/AL CABLES

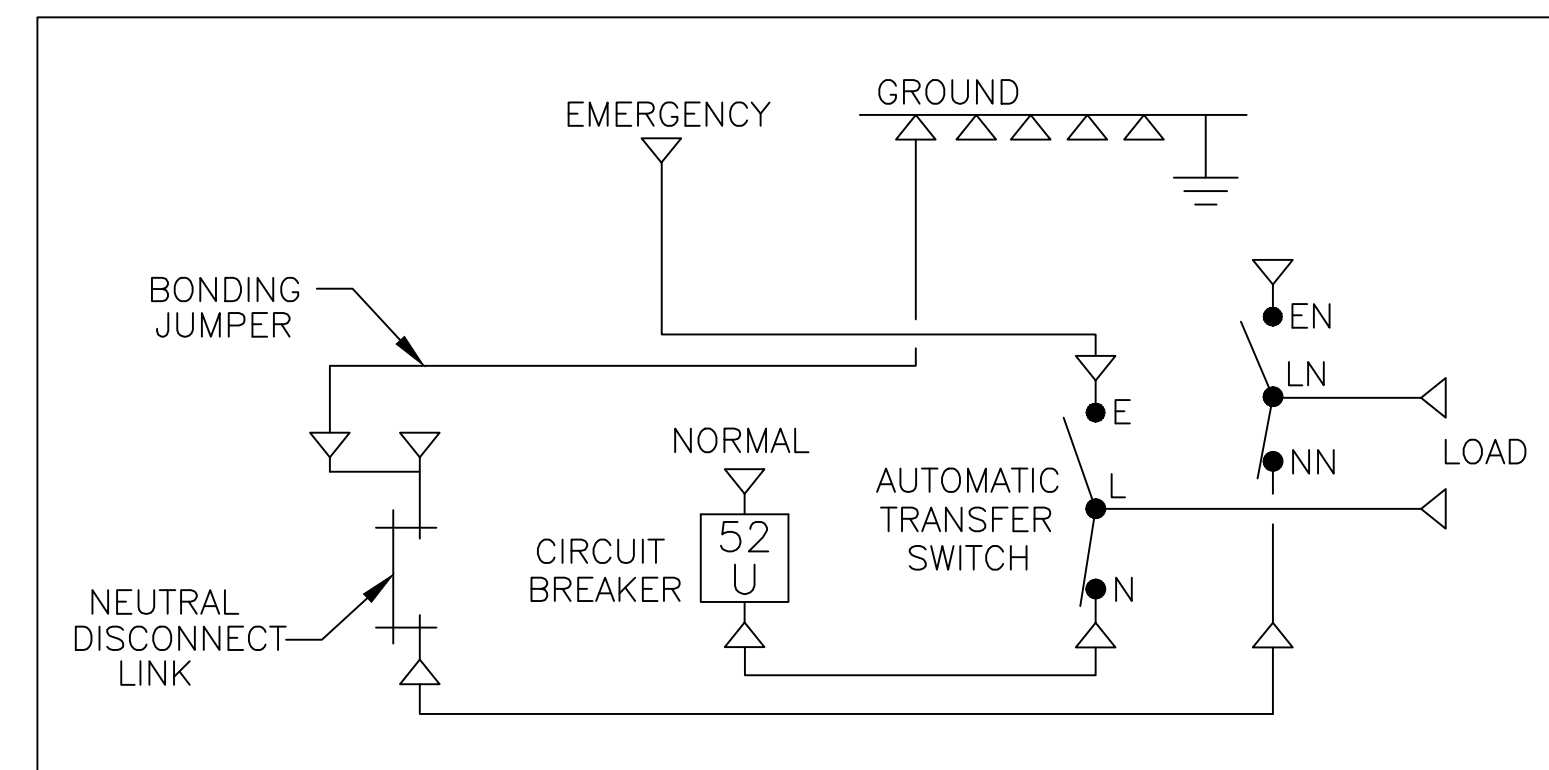
CIRCUIT BREAKER: ITEM 52U

SQUARE "D" 80% RATED TYPE "LHL", 400AF/150AT, 400AF/175AT, 400AF/200AT, 400AF/225AT, 400AF/250AT, 400AF/300AT, 400AF/350AT, 400AF/400AT, MOLDED CASE CIRCUIT BREAKER, THERMAL MAGNETIC TRIP

ONE LINE DIAGRAMS



(WITH SOLID NEUTRAL)



(WITH SWITCHED/OVERLAPPING NEUTRAL)

PROJECT NAME:		REV. TO SHEET	ECN NO.	BY	APP.	DATE
OUTLINE		MOUNTING				
J AUS 150A - 400A, LHL SERVICE ENTRANCE BRKR ON NORMAL						
TYPE 1 48 X 42 X 15.5						
BY	DATE	MANUFACTURING TOLERANCES TO BE IN ACCORDANCE WITH ASCO PROCEDURE MP-1-003. FOR PLASTIC PARTS SEE MP-1-005		ASSEM. REF. NO.	COMPUTER GENERATED DRAWING	
DRAWN BY	VAK	12/24/15			SCALE	1/8" = 1" SIZE DS
CHECKED	RN		PROPERTY OF ASCO POWER TECHNOLOGIES. USE PERMITTED FOR OUR WORK ONLY. ALL RIGHTS OF DESIGN OR INVENTION ARE RESERVED.		DWG. NO.	805715-002
PROJECT APPROVAL			ASCO® ASCO POWER TECHNOLOGIES, L.P. FLORHAM PARK, NEW JERSEY 07932 U.S.A.		REV. A	ECN NO. 264205
FINAL APPROVAL					DRAWING REV.	SHEET 1 OF 1