

GENERAL NOTES

- TYPE 1 ENCLOSURE. FREE STANDING. FLOOR MOUNTED. CODE GAUGE STEEL.
- ALL DOORS HAVE LOCKABLE HANDLES WITH COMMON KEYING AND CAPTIVE SCREWS AS REQUIRED.
- FINISH: ANSI 61 GRAY POLYESTER SEMI GLOSS ELECTROSTATIC POWDER.
- RECOMMENDED CLEARANCES:
FRONT: 38 INCHES
- ALL BUS IS SILVER-PLATED COPPER, BASED ON 1000A PER SQ. IN. DENSITY.
- A FULL RATED NEUTRAL CONNECTION FOR EACH SOURCE AND THE LOAD IS OPTIONAL. WHEN PROVIDED IT IS IN ONE OF THE FOLLOWING FORMATS AS SPECIFIED BY THE CATALOG NO. NEUTRAL TYPE:
A. SOLID (COPPER BUS) NEUTRAL (SHOWN) (PROVIDED STANDARD ON H3AUS)
B. SWITCHED NEUTRAL POLE
C. OVERLAPPING NEUTRAL POLE (NOT AVAILABLE ON 7ACUS/7ADUS UNITS)
- DESIGNED FOR FRONT ACCESS
- FOR SPECIFIED TRANSFER SWITCH, REFER TO OPERATOR'S MANUAL PROVIDED WITH UNIT.
- SECTION 1 & SECTION 1T SHIP AS 1 UNIT.
- CENTER OF GRAVITY.

SPECIFICATIONS

- SERVICE VOLTAGE:
SYSTEM RATING: 150 AMPS, 175 AMPS, 200 AMPS, 225 AMPS, 250 AMPS,
300 AMPS, 350 AMPS, OR 400 AMPS. 3φ, 4W OR 1φ, 3W.
GROUND BUS- 80 AMPS
SHORT CIRCUIT RATING- 35,000 AIC RMS SYM @ 480V, 65,000 AIC RMS SYM @ 240V.
THE EMERGENCY SOURCE INPUT MUST BE PROTECTED BY A REMOTE OVERCURRENT PROTECTION DEVICE AS LISTED ON THE MARKINGS ON THE TRANSFER SWITCH.
- BATTERY VOLTAGE: N/A
- NEUTRAL BUS: 400 AMPS
- APPLICABLE LABELS: U.L. 891- SUITABLE ONLY FOR USE AS SERVICE EQUIPMENT.

CABLING NOTES

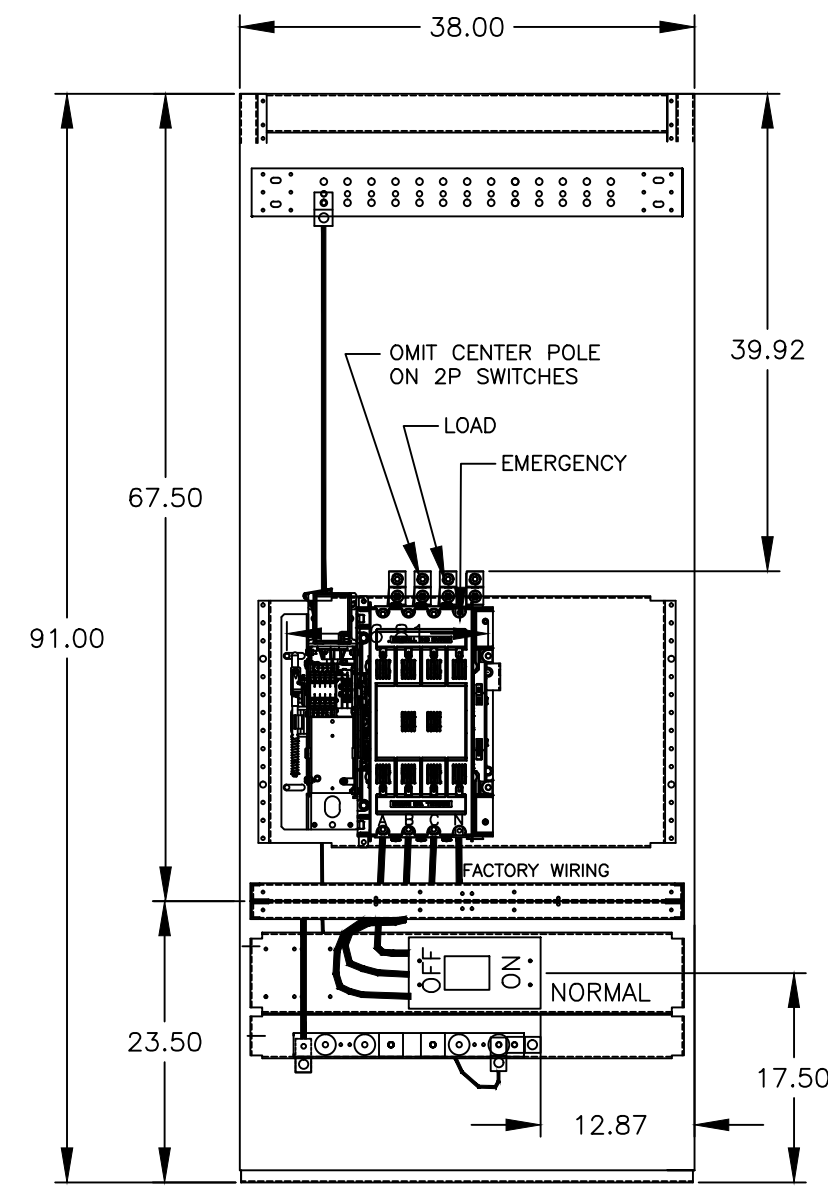
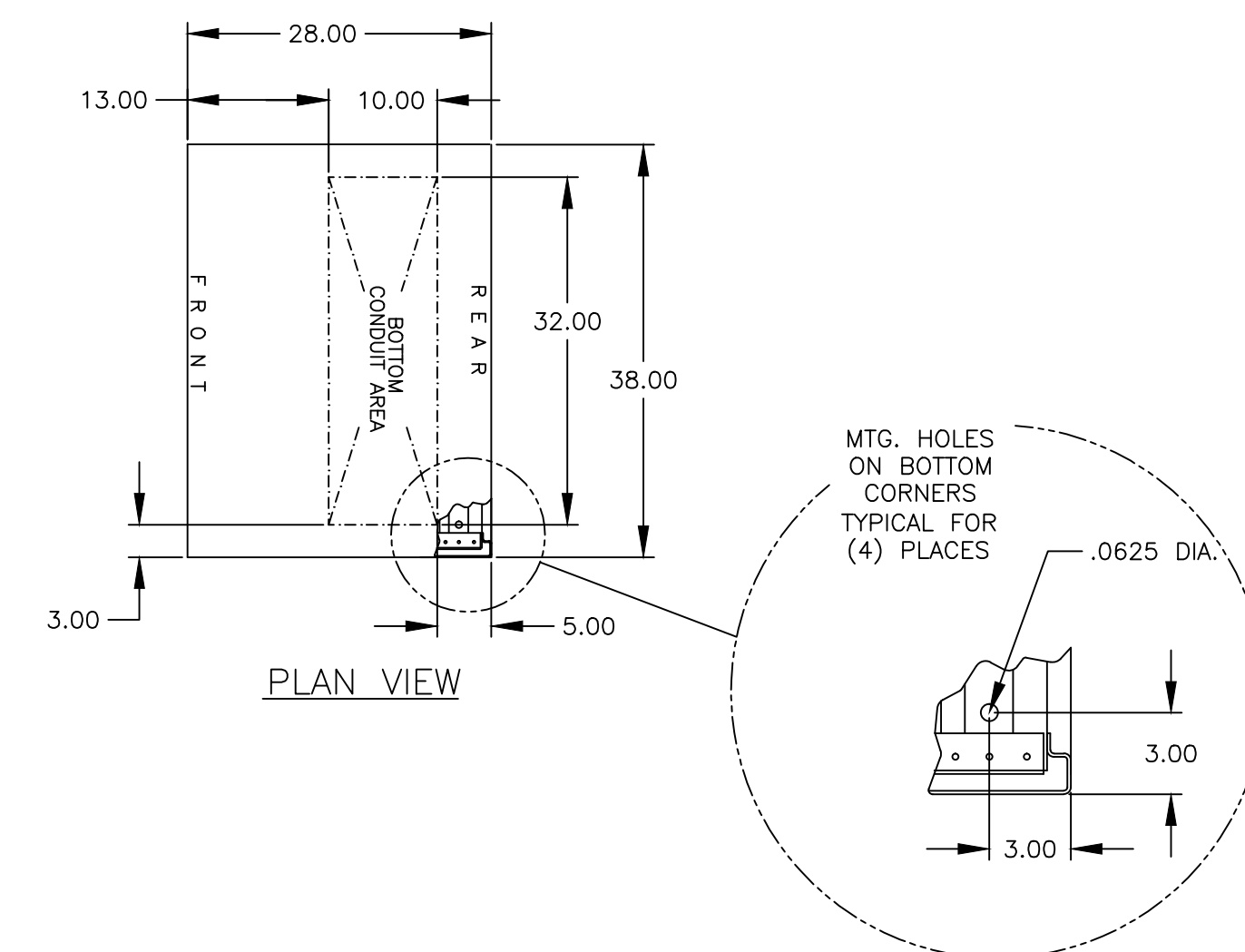
- ALL SIZES SUPPLIED STANDARD WITH MECHANICAL (SCREW TYPE) LUGS. (SEE AMP SIZE BELOW)
A. LUG MATERIAL: ALUMINUM ALLOY 6061-T6 WITH ELECTRO TIN PLATED FINISH.
B. SCREW MATERIAL: ALUMINUM ALLOY 6262-T9 WITH ELECTRO TIN PLATED FINISH.
C. UL LISTED, CSA CERTIFIED.
D. LUG SCREW TIGHTENING TORQUE PER UL 486B: 19 FT-LBS.
E. SUITABLE WIRE BENDING SPACE IS PROVIDED. (SEE AMP SIZE BELOW)
- CONSULT FACTORY FOR OTHER TERMINATION REQUIREMENTS.

NOTES 150-400 AMPS

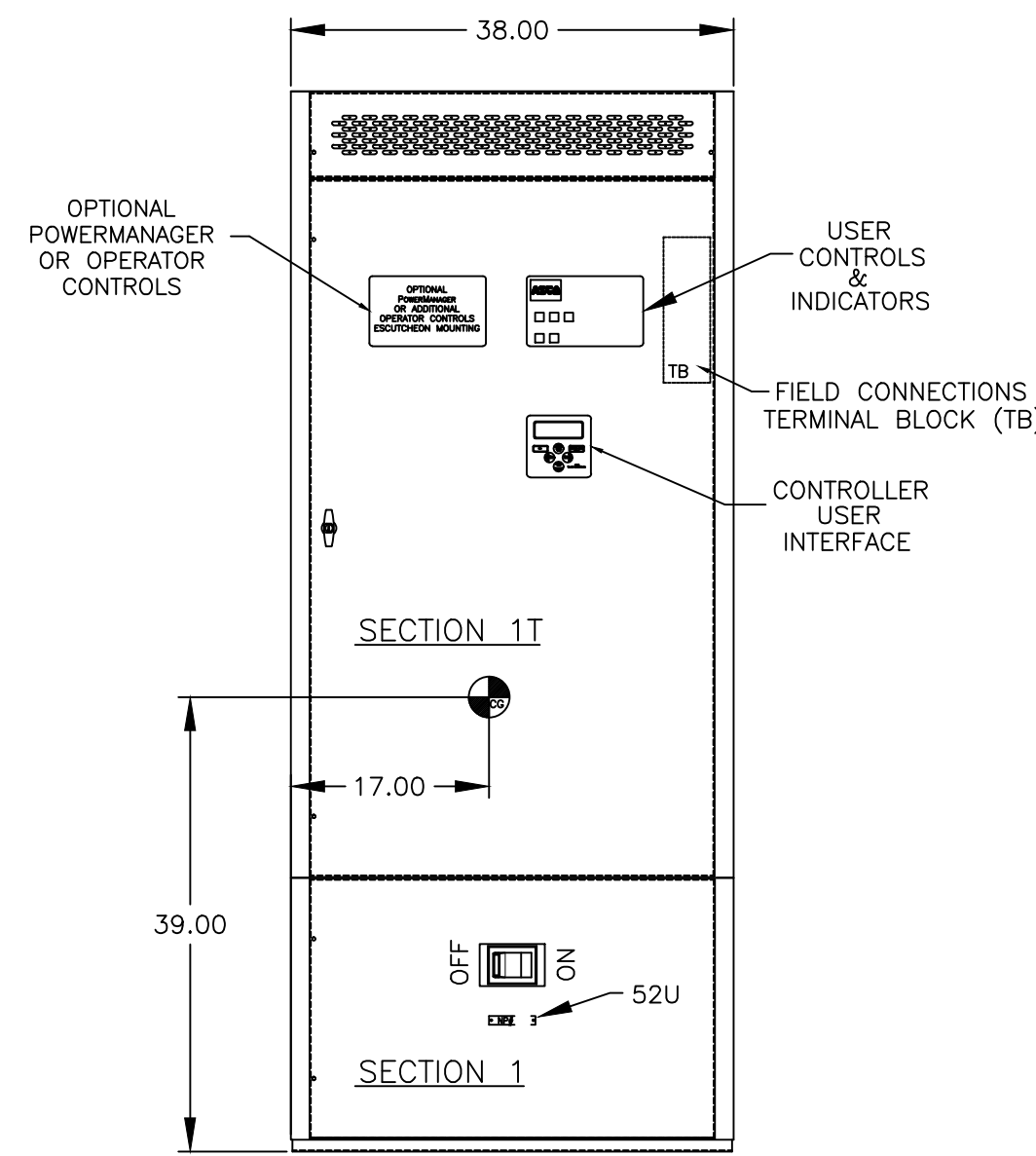
- SUPPLIED WITH STANDARD MECHANICAL (SCREW TYPE) LUGS ON THE EMERGENCY & LOAD.
ONE (1) LUG PER PHASE AND NEUTRAL SUITABLE FOR CONNECTION OF TWO (2) 1/0 AWG-250MCM CU/AL CABLE OR ONE (1) #4-600MCM CU/AL CABLE.
SUPPLIED WITH STANDARD MECHANICAL (SCREW TYPE) LUGS ON THE NORMAL
ONE (1) LUG PER PHASE AND NEUTRAL SUITABLE FOR CONNECTION OF TWO (2) 1/0 AWG-250MCM CU/AL CABLE OR ONE (1) #4-600MCM CU/AL CABLE.
A. SUITABLE WIRE BENDING SPACE IS PROVIDED FOR UP TO ONE (1) 600MCM CABLES PER TERMINAL PER NEC.
- GROUND LUGS ARE PROVIDED STANDARD AS FOLLOWS:
THREE (3) LUGS, EACH SUITABLE FOR CONNECTION OF TWO (2) 1/0 AWG-250MCM CU/AL CABLE OR ONE (1) #4-600MCM CU/AL CABLE.

CIRCUIT BREAKER: ITEM 52U

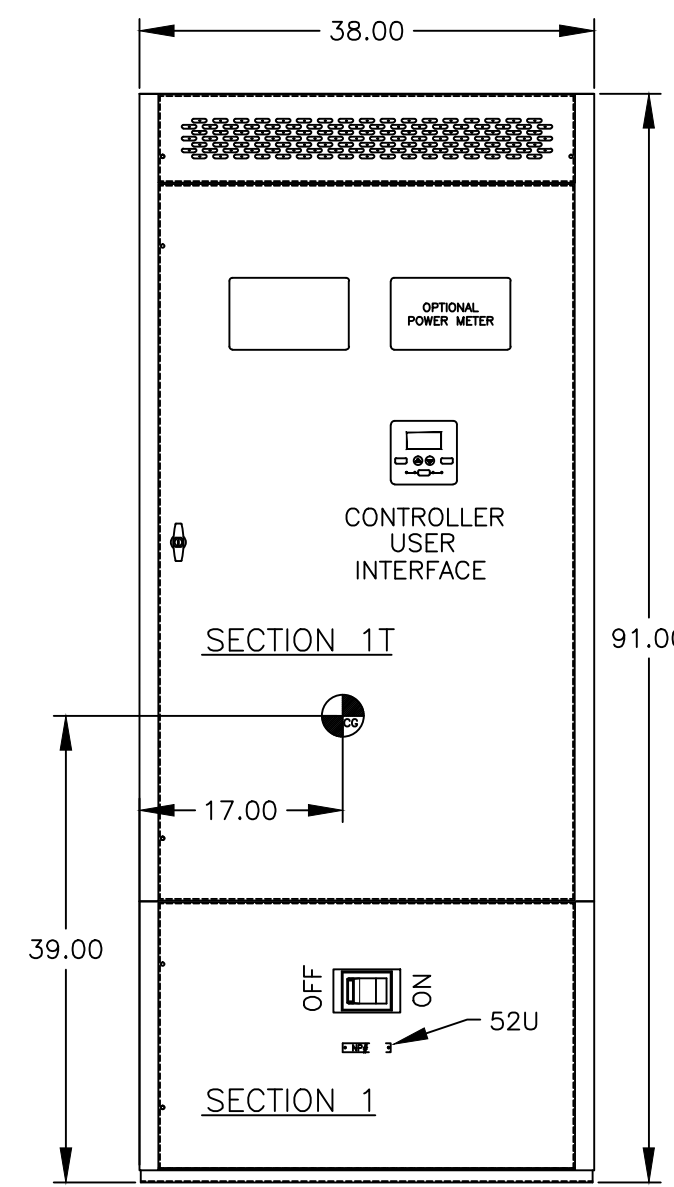
SQUARE "D" 80% RATED TYPE "LHL", 400AF/150AT, 400AF/175AT, 400AF/200AT, 400AF/225AT, 400AF/250AT, 400AF/300AT, 400AF/350AT, 400AF/400AT, MOLDED CASE CIRCUIT BREAKER, THERMAL MAGNETIC TRIP



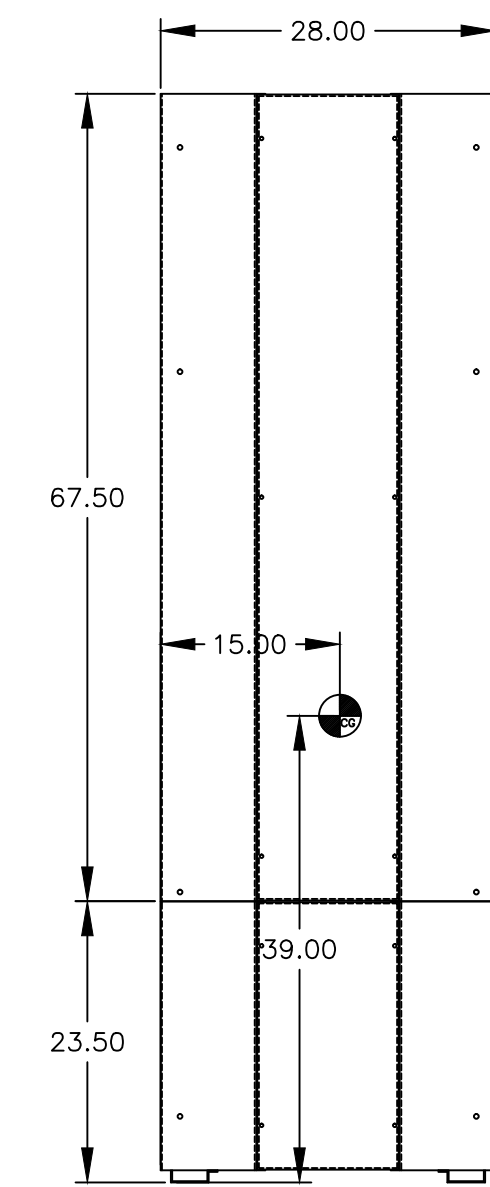
FRONT ELEVATION
INTERIOR VIEW



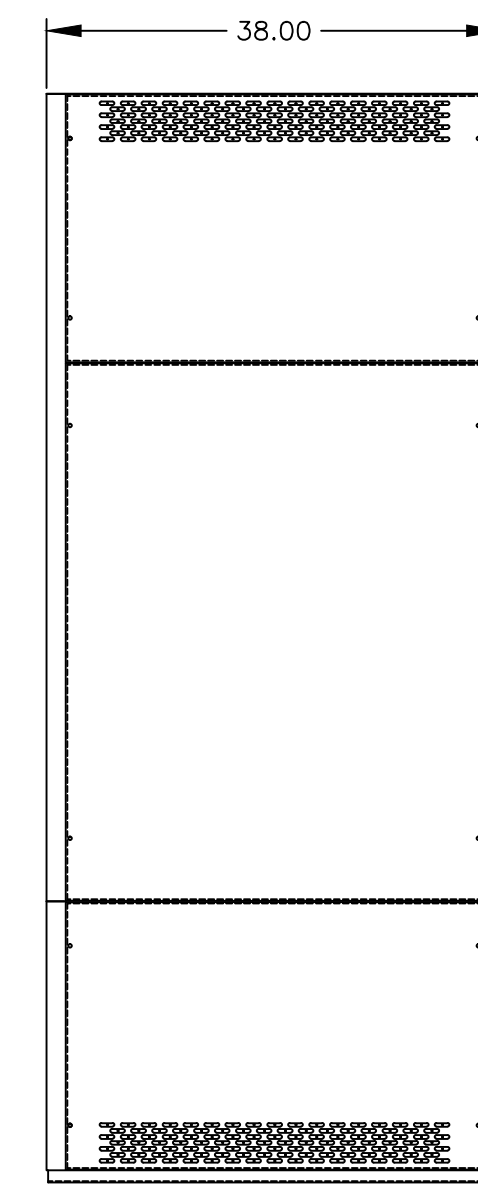
FRONT VIEW: 7000 SERIES



FRONT VIEW: 300 SERIES

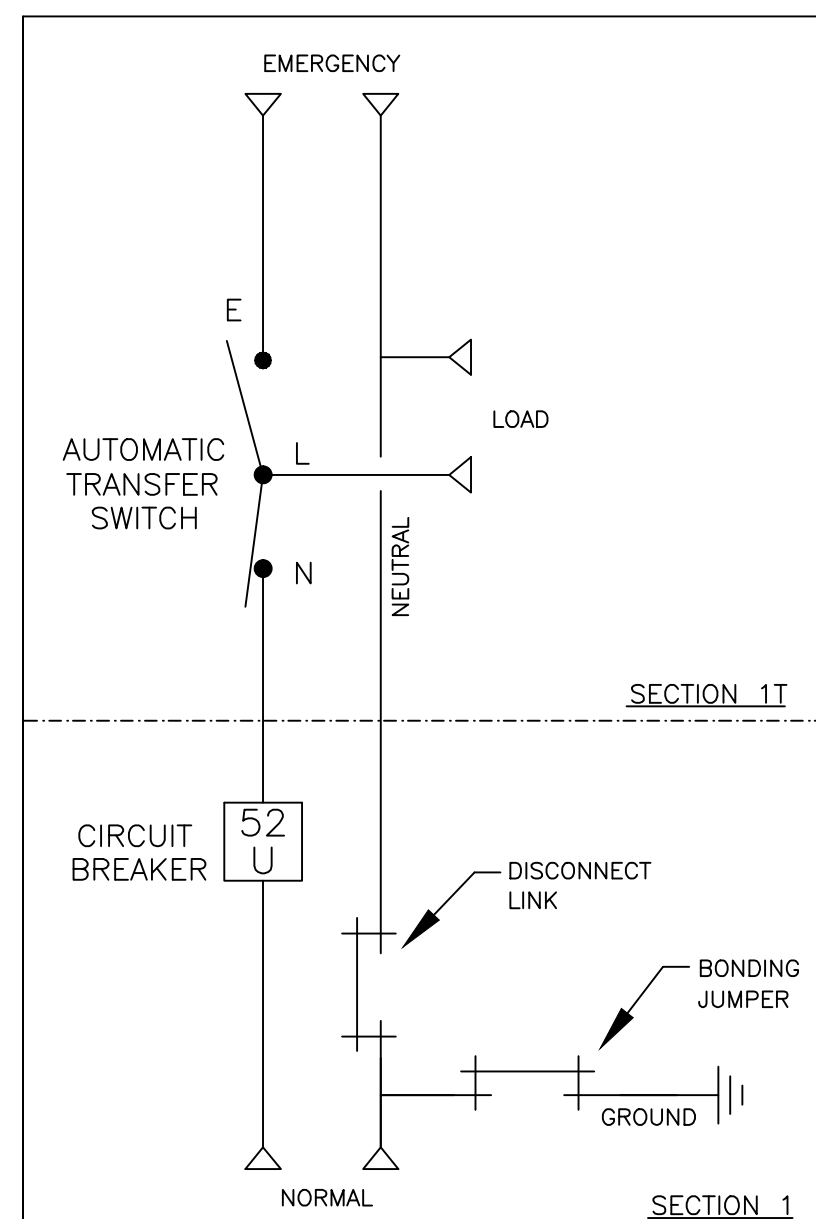


RIGHT SIDE VIEW

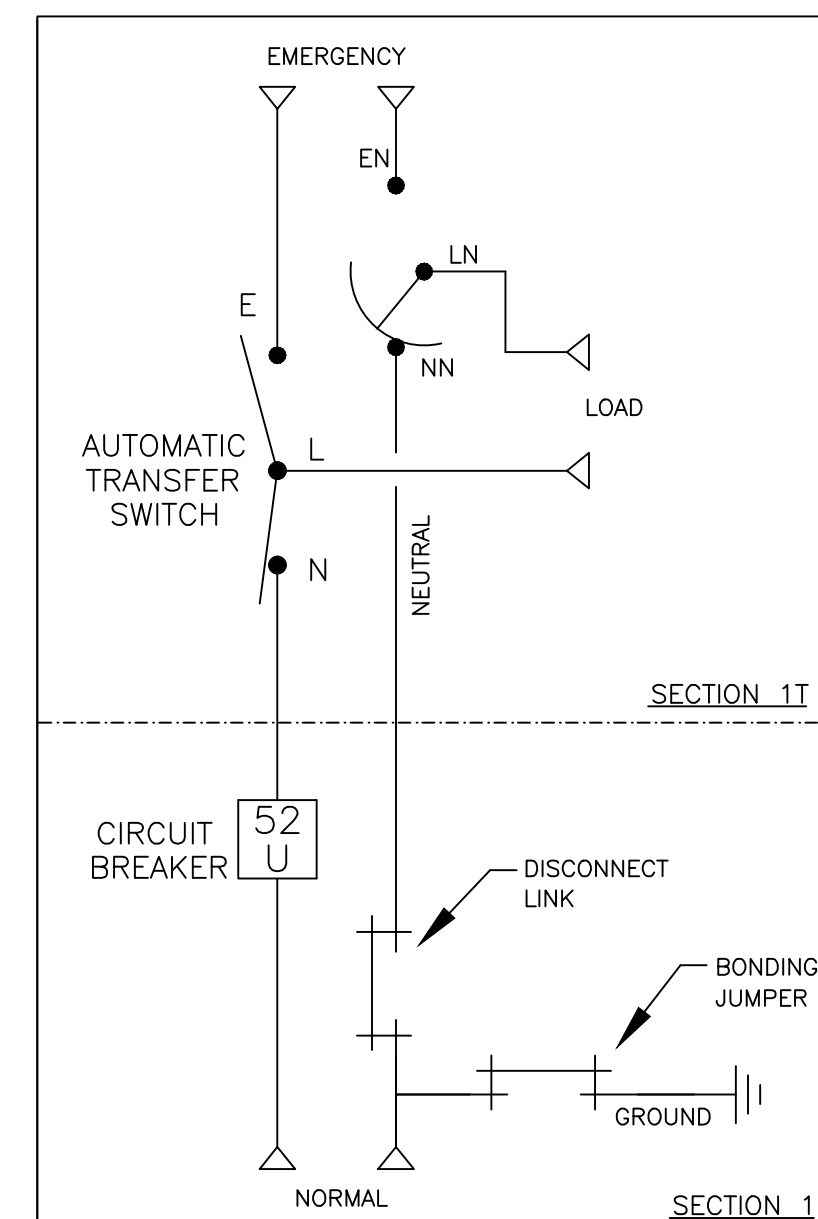


REAR VIEW

ONE LINE DIAGRAMS



(WITH SOLID NEUTRAL)



(WITH SWITCHED/OVERLAPPING NEUTRAL)

E	248049	VAK	RN	
SEE ECN				
D	245253	BG	RN	11/06/13
SEE ECN				
C	234216	DP	RN	10/17/11
SEE ECN				
B	229752	LY		11/19/10
SEE ECN				
A	221527	DP	RN	1/22/09
SEE ECN				
-	213887	LY		6/21/07
ISSUE				

PROJECT NAME:		REV. TO SHEET	ECN NO.	BY	APP.	DATE
OUTLINE		MOUNTING				
JAUS 150A - 400A, LHL SE BREAKER						
TYPE 1 91 X 38 X 28						
BY	DATE	MANUFACTURING TOLERANCES TO BE IN ACCORDANCE WITH ASCO PROCEDURE MP-1-003. FOR PLASTIC PARTS SEE MP-1-005		ASSEM. REF. NO.	COMPUTER GENERATED DRAWING	
DRAWN BY	LY	6/21/07			SCALE 1/16" = 1" SIZE DS	
CHECKED					PROPERTY OF ASCO POWER TECHNOLOGIES. USE PERMITTED FOR OUR WORK ONLY. ALL RIGHTS OF DESIGN OR INVENTION ARE RESERVED.	
PROJECT APPROVAL					DWG. NO. 805714-051	
FINAL APPROVAL					DRAWING E	
					ECN NO. 248049 SHEET 1 OF 1	

