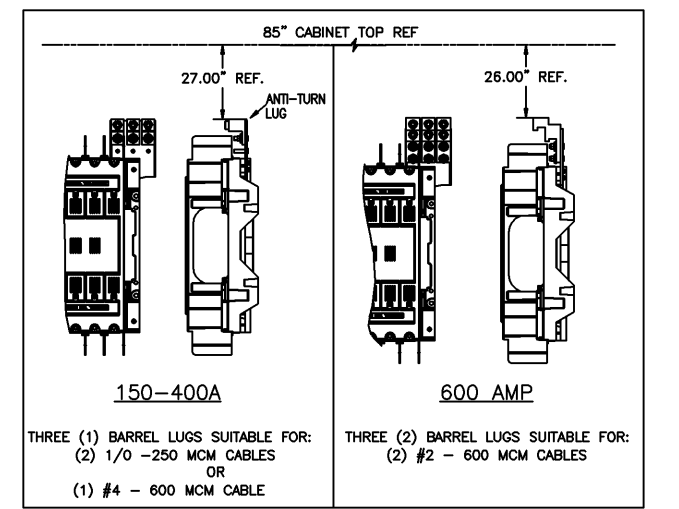


OUTLINE & MOUNTING FOR ASCO® 7000 SERIES FRONT CONNECTED AUTOMATIC TRANSFER & BYPASS-ISOLATION SWITCHES TYPES J7ATB, J7ACTB & J7ADTB RATED 150-600 AMPS

- GENERAL NOTES**
- OPEN TYPE, FREE STANDING, FLOOR MOUNTED. 12 GAUGE FORMED FRAME CONSTRUCTION.
 - NEC STANDARD GAUGE PAN TYPE DOORS WITH LOCKABLE HANDLES AND REMOVABLE COVERS.
 - FINISH: ANSI 61 GRAY, POLYESTER POWDER. UL RECOGNIZED.
 - CONSTRUCTION IS IN ACCORDANCE WITH UL 1008.
 - PADLOCKING PROVISIONS ARE INCLUDED.
ISOLATION HANDLE: THE TRANSFER SWITCH ISOLATION HANDLE MAY BE PADLOCKED WITH THE TRANSFER SWITCH IN THE FULLY ISOLATED (DISCONNECTED POSITION).
 - UNIT CAN BE ADAPTED FOR CONNECTION OF BUS DUCT FLANGES. (CONSULT FACTORY)
 - RECOMMENDED FRONT CLEARANCE: 32 INCHES MINIMUM.
 - A 20% RATED GROUND BUS IS PROVIDED.
 - A FULL RATED NEUTRAL CONNECTION FOR EACH SOURCE AND THE LOAD IS OPTIONAL. WHEN PROVIDED IT IS IN ONE OF THE FOLLOWING FORMATS AS SPECIFIED BY THE CATALOG NO. NEUTRAL TYPE:
TYPE A: SOLID (COPPER BUS) NEUTRAL
TYPE B: SWITCHED NEUTRAL POLE
TYPE C: OVERLAPPING NEUTRAL POLE (NOT AVAILABLE ON 7ADTB & 7ACTB UNITS)
 - APPROXIMATE WEIGHT: 950 LBS.
 - STANDARD OUTLINE FOR A FOUR POLE 600 AMP TRANSFER SWITCH WITH BYPASS/ISOLATION SWITCH SHOWN. SEE DETAIL "A" FOR LUG CONFIGURATION OF SOLID NEUTRAL.
 - BOTH BYPASS SWITCH MANUAL OPERATION HANDLE & TRANSFER SWITCH CARRIAGE MANUAL CRANK HANDLE CAN BE REMOVED. ALSO NOTE THAT THE TRANSFER SWITCH CARRIAGE MANUAL CRANK HANDLE CAN BE LEFT IN PLACE AND FOLDED DOWN.
 - ⊙ CENTER OF GRAVITY.

- CABLING NOTES**
- ALL SIZES SUPPLIED STANDARD WITH MECHANICAL (SCREW TYPE) LUGS. (SEE AMP SIZE BELOW)
 - A. LUG MATERIAL: ALUMINUM ALLOY 6061-T6 WITH ELECTRO TIN PLATED FINISH.
 - B. SCREW MATERIAL: ALUMINUM ALLOY 6262-T9 WITH ELECTRO TIN PLATED FINISH.
 - C. UL LISTED, CSA CERTIFIED.
 - D. LUG MAX WIRE TIGHTENING TORQUE PER UL 488B: SEE TABLE BELOW.
 - OPTIONAL COPPER CRIMP LUGS MAY BE SUPPLIED. CONSULT FACTORY.
 - A. LUG MATERIAL: HIGH CONDUCTIVITY WROUGHT COPPER FINISH, ELECTRO TIN PLATED.
 - B. UL LISTED, CSA CERTIFIED.
 - C. LUG MOUNTING HARDWARE TIGHTENING TORQUE: (REFER TO WITHSTAND CURRENT RATING LABEL PROVIDED ON EACH TRANSFER SWITCH).
 - D. SUITABLE WIRE BENDING SPACE IS PROVIDED.
 - CONSULT FACTORY FOR OTHER TERMINATION REQUIREMENTS.

SIZE	CABLE ACCOMMODATIONS (PER PHASE & NEUTRAL)	LUG TORQUE
150-400	SCREW TYPE (STANDARD)- (2) 1/0 - 250 MCM AL/CU OR (1) #4 - 600 MCM AL/CU	500 IN.-LBS.
600	SCREW TYPE (STANDARD)- (2) #2 - 600 MCM AL/CU	375 IN.-LBS.



DETAIL "A" SOLID NEUTRAL

B	219413	TR	WK	8/4/08
A	217821	WK	BK	04/14/08
-	215733	BWM	JPB	10/29/07

ISSUE

REV. TO	EDN NO.	BY	APP.	DATE
SWT				

PROJECT NAME: **OUTLINE & MOUNTING**

150-600 AMP OPEN TYPE TB/CTB/DTB FRONT CONNECTED BYPASS

THIRD ANGLE PROJECTION

DRAWN BY: BWM	DATE: 10/29/07	MANUFACTURING TOLERANCES TO BE IN ACCORDANCE WITH ASCO PROCEDURE MP-1-003. FOR PLASTIC PARTS SEE MP-1-005	ASSEMB. REF. NO.
CHECKED: JPB	DATE: 10/29/07	PROPERTY OF ASCO POWER TECHNOLOGIES. USE PERMITTED FOR OUR WORK ONLY. ALL RIGHTS OF DESIGN OR INVENTION ARE RESERVED.	COMPUTER GENERATED DRAWING
SCALE: 1/1	SIZE: DS	DWG. NO.: 802093-009	REV. 1 OF 1

ASCO POWER TECHNOLOGIES, LP. FLOORHAM PARK, NEW JERSEY 07832 U.S.A.

