

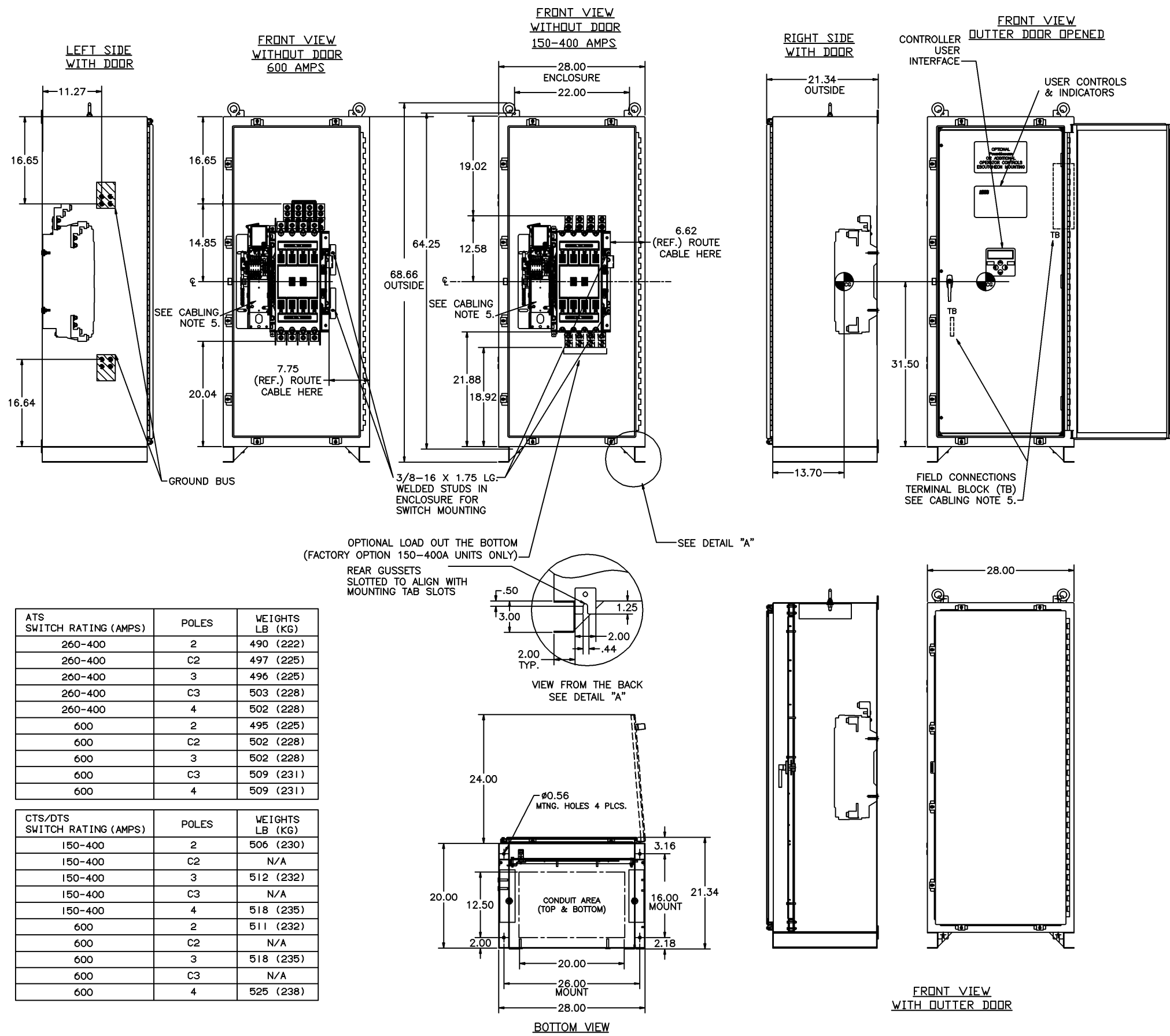
**OUTLINE FOR ASCO® 4000 & 7000 SERIES 150-600 AMPERE "J" FRAME (ATS,ACTS,ADTS) FRONT CONNECTED TRANSFER SWITCHES TYPE 3R/4/4X/12 SECURE ENCLOSURE**

D

C

B

A



ATS SWITCH RATING (AMPS)	POLES	WEIGHTS LB (KG)
260-400	2	490 (222)
260-400	C2	497 (225)
260-400	3	496 (225)
260-400	C3	503 (228)
260-400	4	502 (228)
600	2	495 (225)
600	C2	502 (228)
600	3	502 (228)
600	C3	509 (231)
600	4	509 (231)

CTS/DTS SWITCH RATING (AMPS)	POLES	WEIGHTS LB (KG)
150-400	2	506 (230)
150-400	C2	N/A
150-400	3	512 (232)
150-400	C3	N/A
150-400	4	518 (235)
600	2	511 (232)
600	C2	N/A
600	3	518 (235)
600	C3	N/A
600	4	525 (238)

SERIES	CATALOG PREFIX
4000	4ATS
	4NTS
	4ACTS
	4NCTS
	4ADTS
7000	4NDTS
	7ATS
	7NTS
	7ACTS
	7NCTS
7ADTS	
7NDTS	

D	216867	WK	BK	01/28/08
C	209625	WK	BK	08/03/08
B	208864	EWV	BVM	5/06
A	207846	TR	WK	3/8/08
	207577	EWV	JPB	2/06

PROJECT NAME:		REV. TO	ECN NO.	BY	APP.	DATE
COMPOSITE OUTLINE		SEE ECN				
4000/7000 SERIES TS "J" 150-600 AMP 3R/4/4X/12 SECURED						
DRAWN BY	DATE	MANUFACTURING TOLERANCES TO BE IN ACCORDANCE WITH ASCO PROCEDURE MP-1-003. FOR PLASTIC PARTS SEE MP-1-005	ASSEMB. REF. NO.	COMPUTER GENERATED DRAWING		
BY	DATE	PROPERTY OF ASCO POWER TECHNOLOGIES. USE PERMITTED FOR OUR WORK ONLY. ALL RIGHTS OF DESIGN OR INVENTION ARE RESERVED.		SCALE	1:1	SIZE DS
CHECKED	DATE			DRAWING NO. 780148		
APPROVAL	DATE			DRAWING D		
FINAL APPROVAL	DATE			REV. 216867		

D

C

B

A