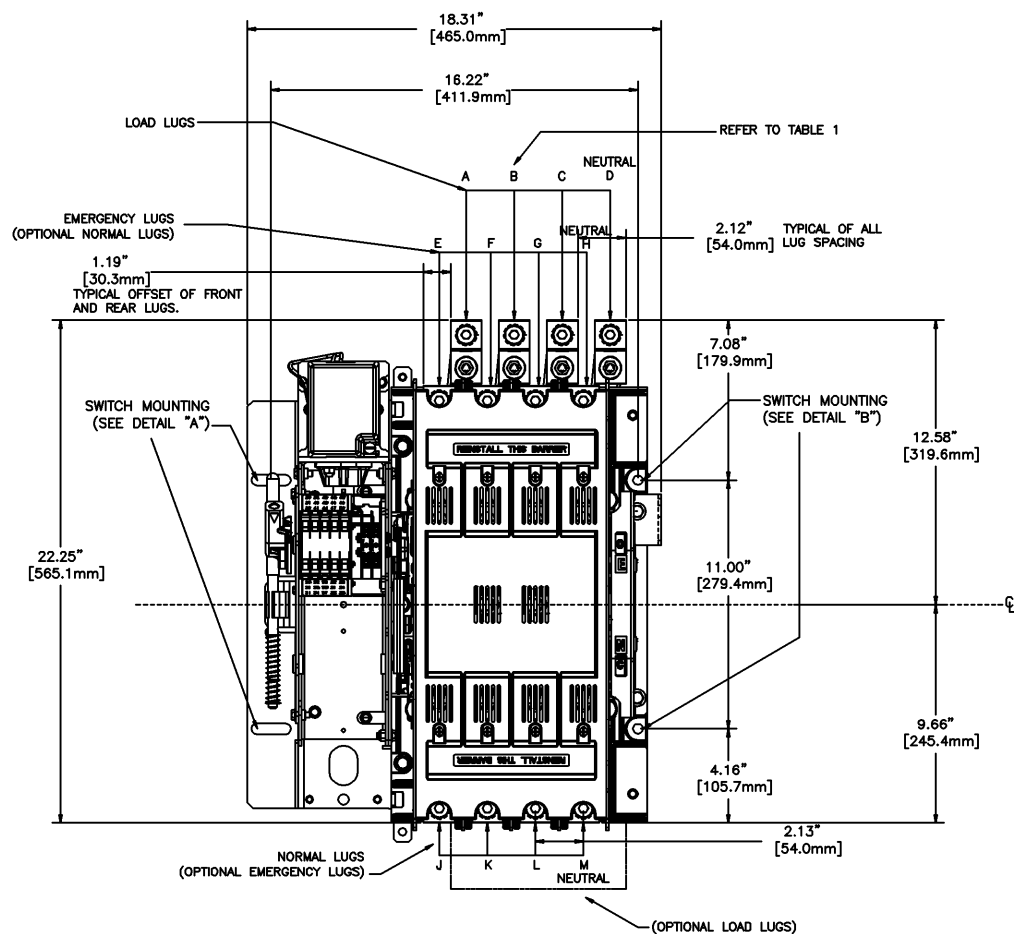
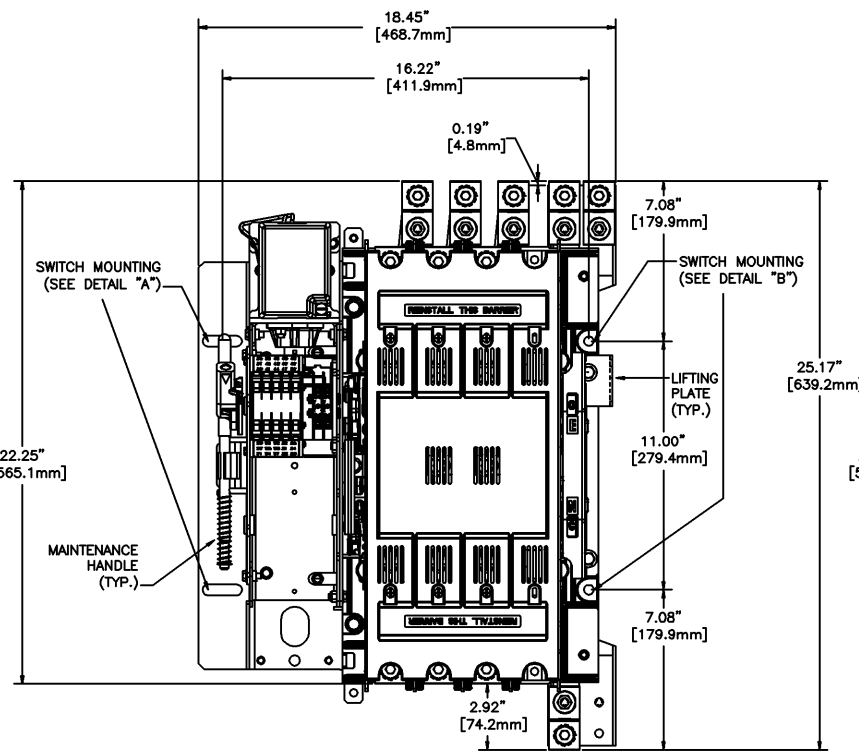


OUTLINE FOR ASCO® 4000 & 7000 SERIES 150-400 AMPERE "J" FRAME (ATS,ACTS,ADTS) FRONT CONNECTED TRANSFER SWITCHES OPEN TYPE

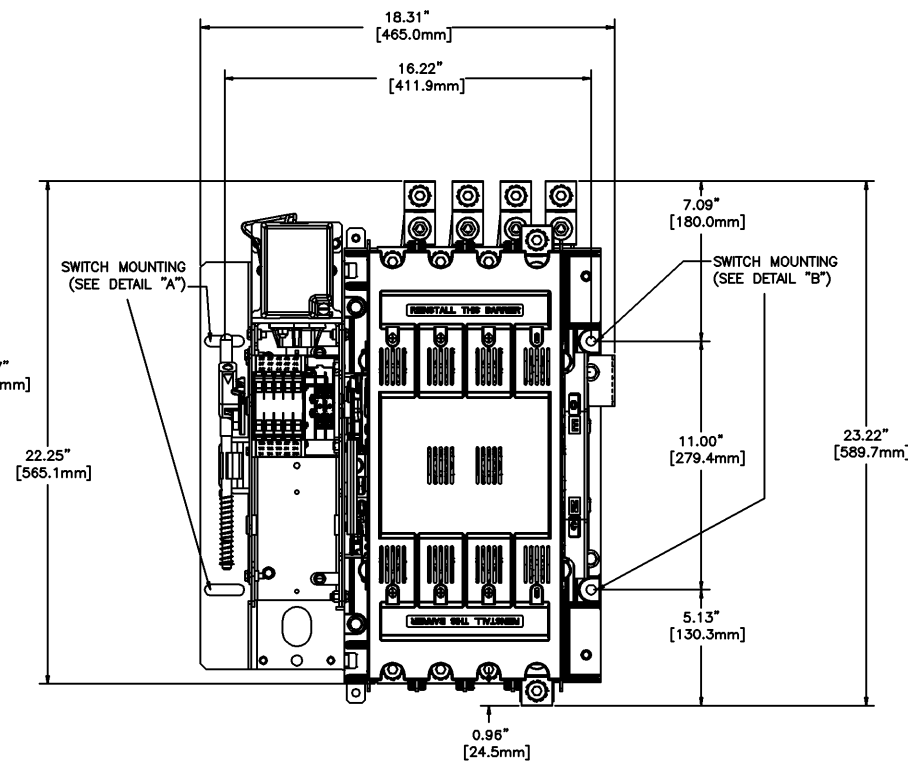
FRONT VIEW



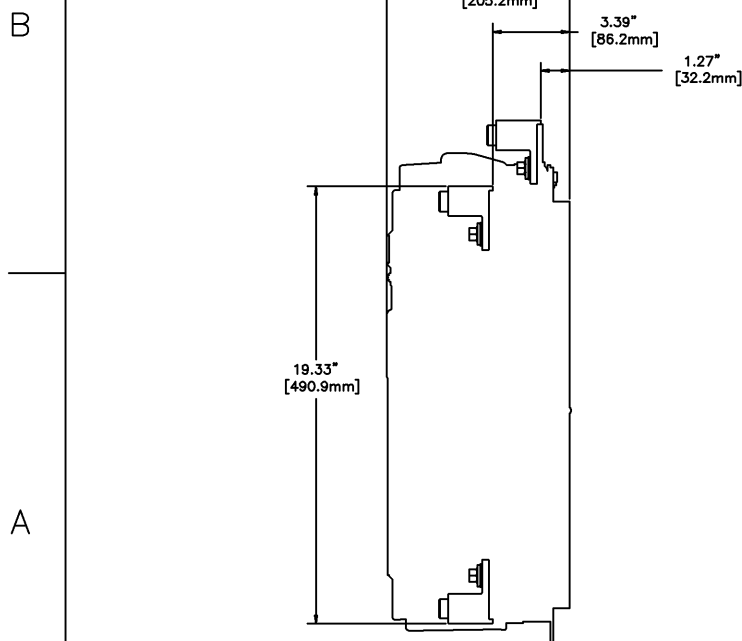
260-400 AMP ATS W/ SWITCHING NEUTRAL



260-400 AMP ATS W/ SOLID NEUTRAL



260-400 AMP ATS W/ OVERLAPPING NEUTRAL



SIDE VIEW

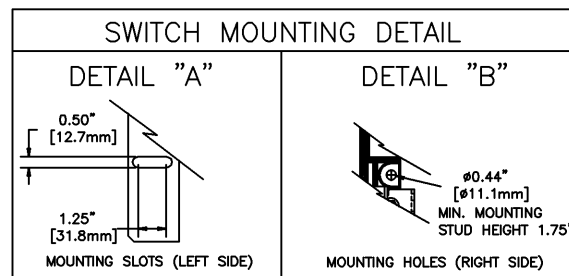


TABLE 1: POLE LOCATIONS

POLES	A	B	C	D	E	F	G	H	J	K	L	M
2	LL1		LL2	LLO	EL1		EL2	ELO	NL1		NL2	NLO
3	LA	LB	LC	LN	EA	EB	EC	EN	NA	NB	NC	NN

150-400 AMP UNITS APPROXIMATE SHIPPING WEIGHT, LBS (KG)

SWITCH TYPE	POLES	WEIGHTS LB (KG)
ATS	2	68 (31)
ATS	3	74 (34)
ATS	4	80 (36)
CTS/DTS	2	84 (38)
CTS/DTS	3	90 (41)
CTS/DTS	4	96 (44)

PROJECT NAME: **OUTLINE**
4000/7000 SERIES
150-400A OPEN TYPE

MANUFACTURING TOLERANCES TO BE IN ACCORDANCE WITH ASCO PROCEDURE MP-1-003. FOR PLASTIC PARTS SEE MP-1-005.

ASCO POWER TECHNOLOGIES, LP.
 FLORHAM PARK, NEW JERSEY 07932 U.S.A.

SCALE: 1:1
 ACAD FILE

SIZE: DWG. NO. **DS780142**
 SHEET 1 OF 3

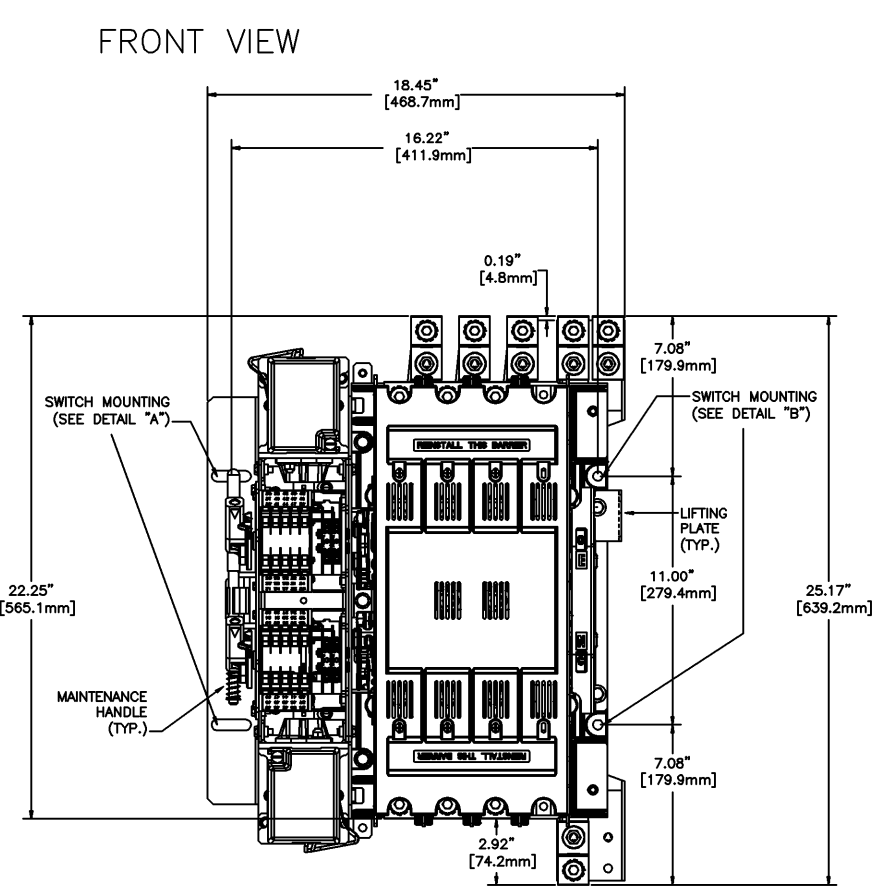
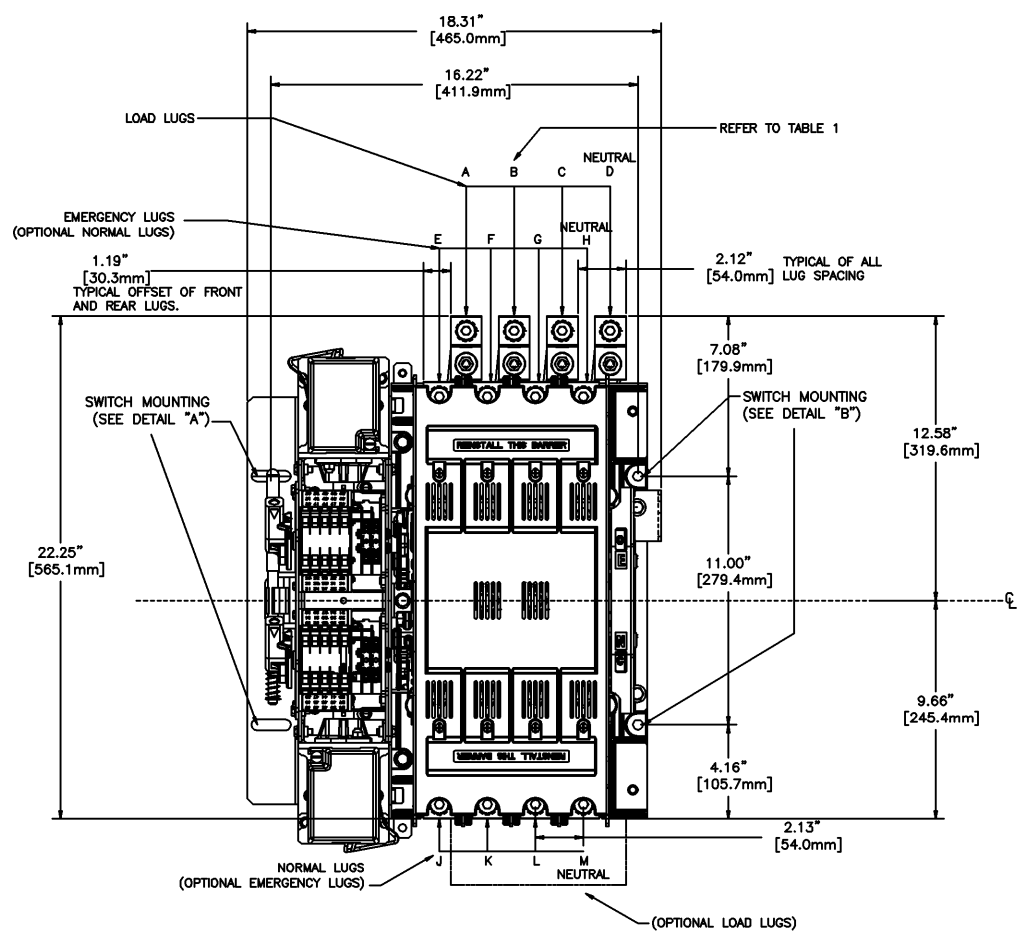
A	209625	WK	BK	08/03/06
	SEE ECH			
	205933	BWM	JPB	9/05
	ISSUE			

CHANGE LETTER	EDN NO.	BY	APP.	DATE

COMPUTER GENERATED DRAWING

OUTLINE FOR ASCO® 4000 & 7000 SERIES 150-400 AMPERE "J" FRAME (ATS,ACTS,ADTS) FRONT CONNECTED TRANSFER SWITCHES OPEN TYPE

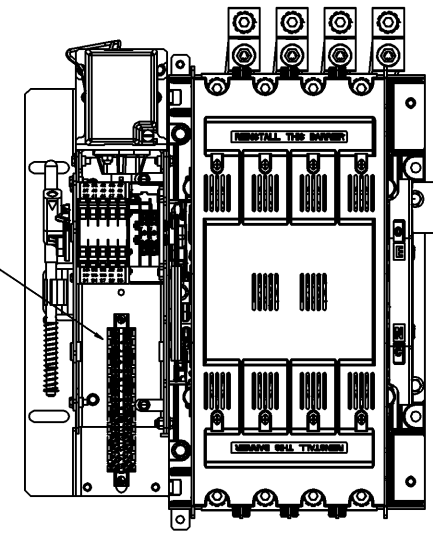
FRONT VIEW



150-400 AMP ACTS/ADTS W/ SWITCHING NEUTRAL

150-400 AMP ACTS/ADTS W/ SOLID NEUTRAL

VIEW OF 4000 SERIES 260-400 AMP ATS SHOWING FIELD CONNECTIONS TERMINAL BLOCK (TB) LOCATION. (FOR ACTS/ADTS TB LOCATION SEE SHEET 3.)



GENERAL NOTES

- THE STANDARD SWITCH CONFIGURATION IS FOR TOP (LOAD & EMERGENCY) AND BOTTOM (NORMAL). OPTIONALLY, THE SWITCH MAY BE SUPPLIED WITH REVERSE SOURCES AND/OR BOTTOM LOAD. (REFER TO THE WIRING DIAGRAM FURNISHED WITH EACH TRANSFER SWITCH TO DETERMINE TERMINATION POSITIONS).
- NEUTRAL CONFIGURATIONS:
AN OPTIONAL FULL RATED NEUTRAL CONFIGURATION FOR EACH SOURCE AND THE LOAD MAY BE PROVIDED. WHEN EQUIPPED IT IS IN ONE OF THE FOLLOWING FORMATS AS SPECIFIED BY THE CATALOG NUMBER NO. NEUTRAL TYPE:
(A) SOLID (COPPER BUS) NEUTRAL
(B) SWITCHED NEUTRAL POLE
(C) OVERLAPPING NEUTRAL POLE (NOT AVAILABLE ON ACTS/ADTS UNITS)
- THE STANDARD MECHANICAL (SCREW TYPE) AL/CU TERMINAL LUGS ARE SHOWN FOR REFERENCE.
- WHEN INSTALLING CONDUCTORS, CONNECT TO SIMILARLY MARKED PHASES OF NORMAL, EMERGENCY & LOAD.
- ALL INTERNAL CONNECTIONS ARE MADE AT FACTORY.
- MAINTAIN ELECTRICAL CLEARANCE OF 1 INCH (25.4 mm) BETWEEN LIVE METAL PARTS AND GROUNDED METAL.
- WHEN MOUNTING THE TRANSFER SWITCH IN THE ENCLOSURE, THE CONTROL PANEL(S) AND OPERATOR CONTROLS SHOULD BE MOUNTED ON THE INSIDE, REAR SURFACE OF THE DOOR. 6 IN. MIN. DEPTH TO TRANSFER SWITCH FOR CONTROLS IS REQUIRED.
- THE CONTROL PANEL(S) IS CONNECTED TO THE TRANSFER SWITCH BY A HARNESS WITH A QUICK DISCONNECT PLUG(S). THE HARNESS EXITS THE TRANSFER SWITCH ON THE RIGHT SIDE. CONSULT FACTORY FOR EXTENSION HARNESSES.
- FOR TYPE 1 ENCLOSURE SEE DETAIL A -1 AND DETAIL B -1 FOR CUTOFF DATA. FOR TYPE 3R, 4, & 12 ENCLOSURE SEE DETAIL A -2 & DETAIL B -2 FOR CUTOFF DATA. GASKETS AND BEZELS ARE PROVIDED FOR TYPE 3R, 4, & 12 ENCLOSURE.
- CUSTOMER TERMINAL BLOCKS:
FOR ALL 7000 SERIES AND 4000 SERIES ACTS, ADTS, NCTS, & NDTS UNITS THE TB WILL BE MOUNTED ON THE UPPER RIGHT INSIDE OF ENCLOSURE AS INDICATED ON THE NEXT PAGE.
FOR 4000 SERIES ATS AND NTS UNITS TB WILL BE MOUNTED ON THE TRANSFER SWITCH FRAME AS INDICATED ON THIS PAGE.

SERIES	CATALOG PREFIX
4000	4ATS
	4NTS
	4ACTS
	4NCTS
7000	4ADTS
	4NDTS
	7ATS
	7NTS
	7ACTS
	7NCTS
	7ADTS
	7NDTS

SIZE	CABLE ACCOMMODATIONS (PER PHASE & NEUTRAL)
150-400	SCREW TYPE (STANDARD) - (2) 1/0 - 250 MCM AL/CU OR (1) #4 - 600 MCM AL/CU

NOTE: CONSULT FACTORY FOR OTHER CABLING & TERMINATION REQUIREMENTS.

CABLING NOTES

- ALL SIZES SUPPLIED STANDARD WITH MECHANICAL (SCREW TYPE) LUGS. (SEE AMP SIZE BELOW)
A. LUG MATERIAL: ALUMINUM ALLOY 6061-T6 WITH ELECTRO TIN PLATED FINISH.
B. SCREW MATERIAL: ALUMINUM ALLOY 6262-T9 WITH ELECTRO TIN PLATED FINISH.
C. UL LISTED, CSA CERTIFIED.
D. LUG SCREW TIGHTENING TORQUE PER UL 486B: 19 FT-LBS.
- CONSULT FACTORY FOR OTHER TERMINATION REQUIREMENTS.

NOTES 150-400 AMP SWITCHES

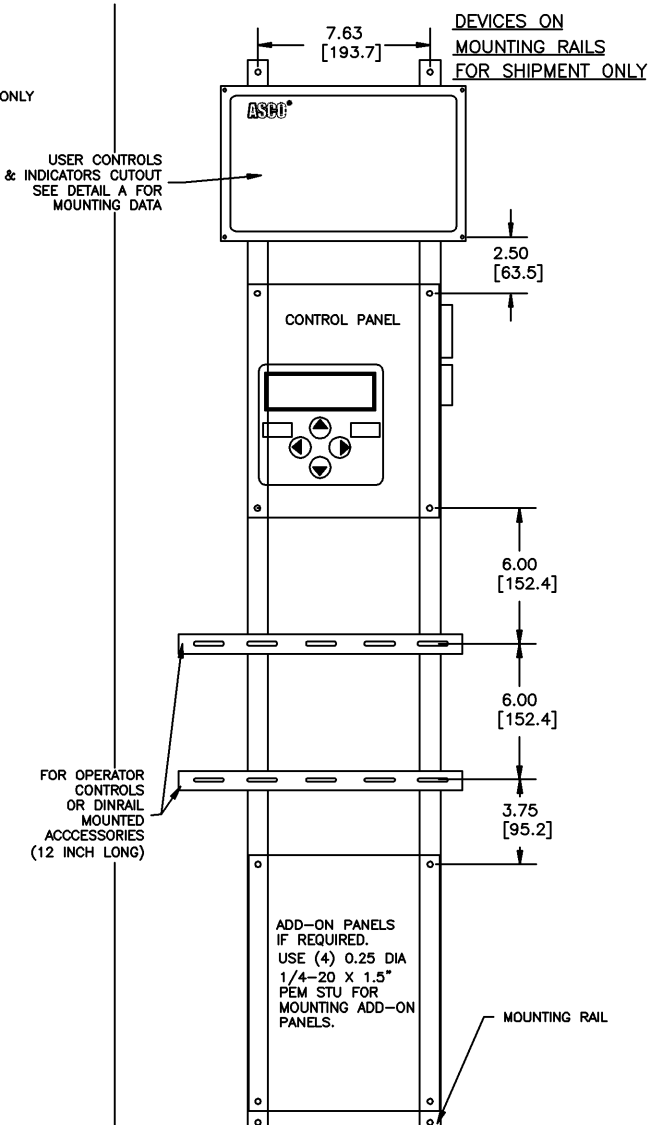
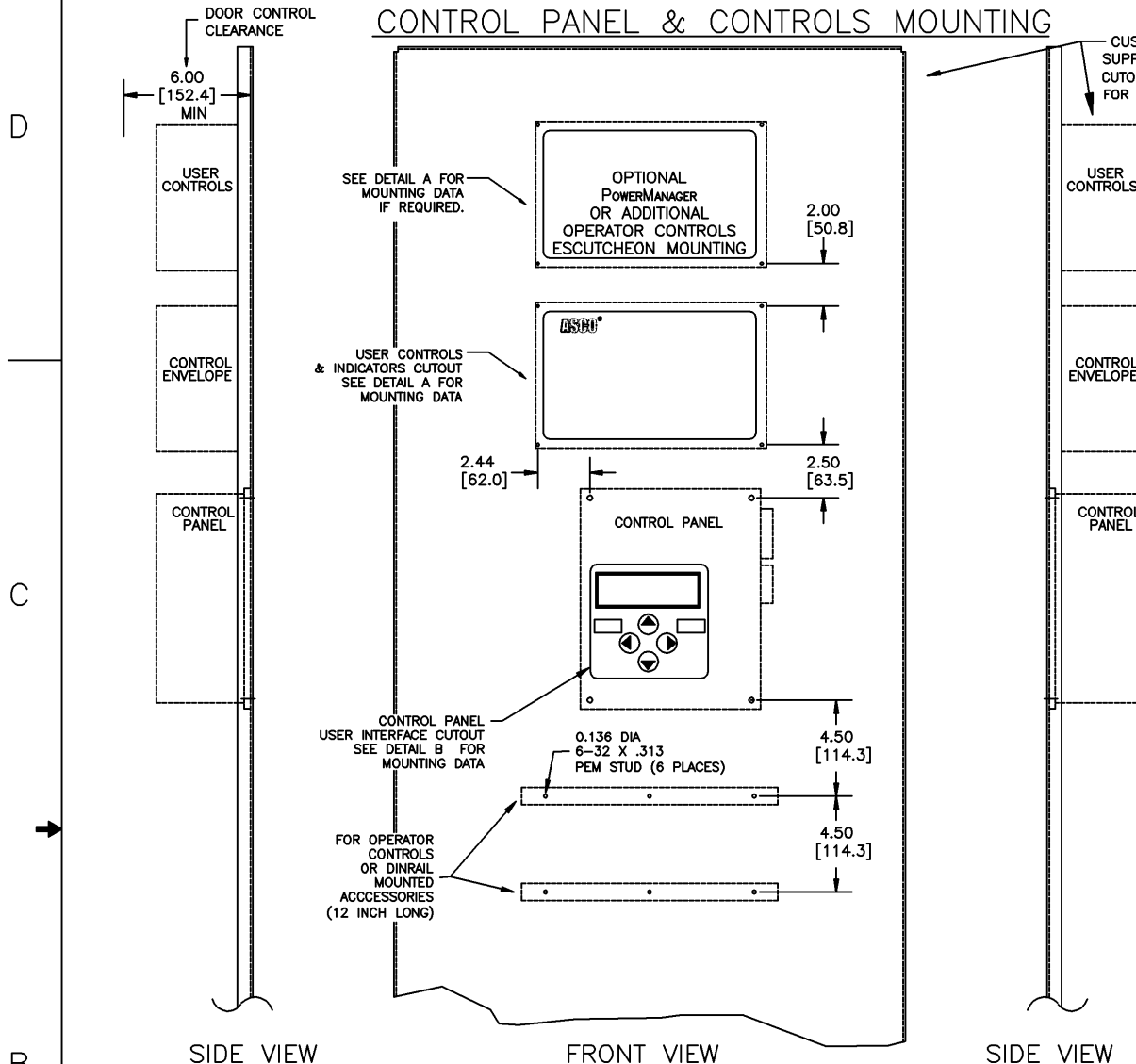
- SUPPLIED WITH STANDARD MECHANICAL (SCREW TYPE) LUGS ON THE NORMAL, EMERGENCY & LOAD BUS STABS. ONE (1) LUG PER PHASE AND NEUTRAL EACH SUITABLE FOR CONNECTION OF TWO (2) 1/0 -250MCM CU/AL CABLES OR ONE (1) #4 -600MCM CU/AL CABLE.

MINIMUM REQUIRED ENCLOSURE SIZE INCH (mm)			
SWITCH RATING (AMPS)	HEIGHT	WIDTH	DEPTH
150-400	56 (1422)	24 (610)	14 (356)

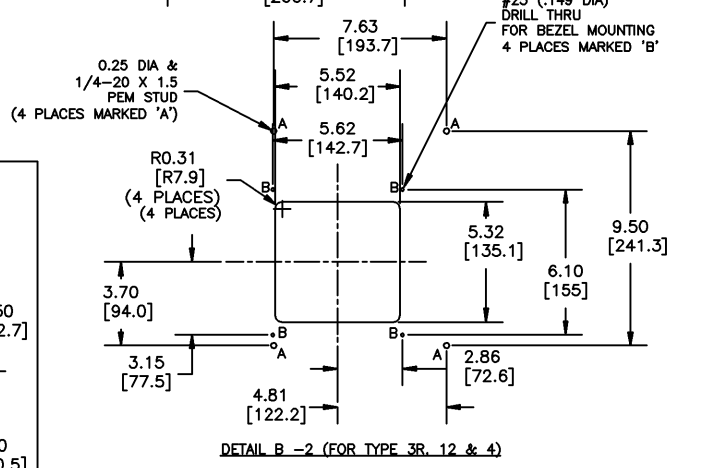
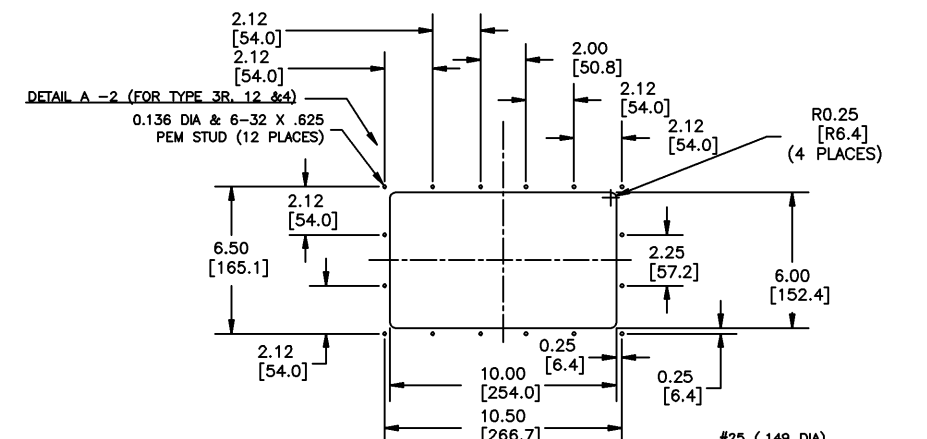
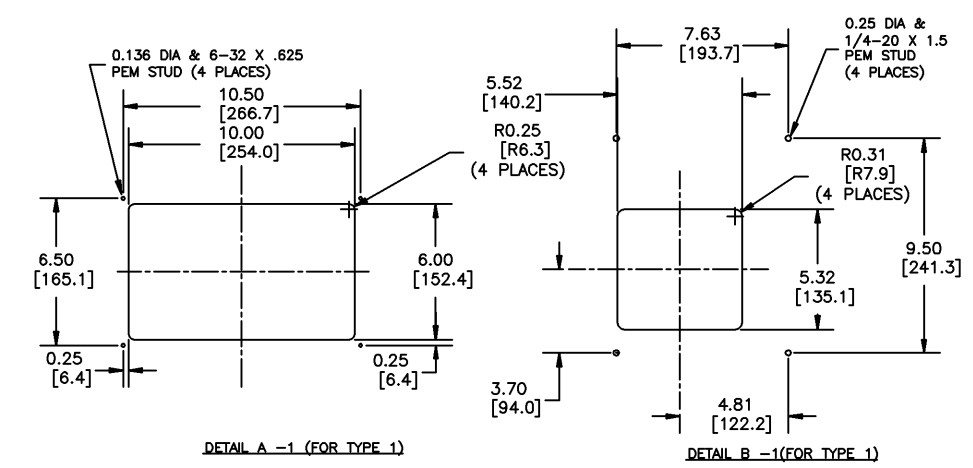
PROJECT NAME:		A 209625 WK BK 08/03/06 SEE ECN	
CHANGE LETTER:		205933 BWM JPB 9/05 ISSUE	
SUBSIDIARY DISTRIBUTION		<input type="checkbox"/> AE <input type="checkbox"/> AM <input type="checkbox"/> AN <input type="checkbox"/> AP <input type="checkbox"/> AR <input type="checkbox"/> AS <input type="checkbox"/> CH <input type="checkbox"/> CM <input type="checkbox"/> CN <input type="checkbox"/> CP <input type="checkbox"/> CR <input type="checkbox"/> CS <input type="checkbox"/> DG <input type="checkbox"/> DP <input type="checkbox"/> DR <input type="checkbox"/> DS <input type="checkbox"/> DT	
COMPUTER GENERATED DRAWING		SCALE 1:1 ACAD FILE	
CHECKED BY JPB 9/05 DRAWN BY BWM 9/05 DATE 9/05 PROPERTY OF ASCO POWER TECHNOLOGIES. USE PERMITTED FOR OUR WORK ONLY. ALL RIGHTS OF DESIGN OR INVENTION ARE RESERVED.		ASSEMBLY REF. NO. SIZE: 11x14 DWG. NO. DS780142 CHANGE A LETTER ECN NO. 209625 SHEET 2 OF 3	
ASCO POWER TECHNOLOGIES, LP. FLORHAM PARK, NEW JERSEY 07932 U.S.A.			

OUTLINE FOR ASCO® 4000 & 7000 SERIES 150-400 AMPERE "J" FRAME (ATS,ACTS,ADTS) FRONT CONNECTED TRANSFER SWITCHES OPEN TYPE

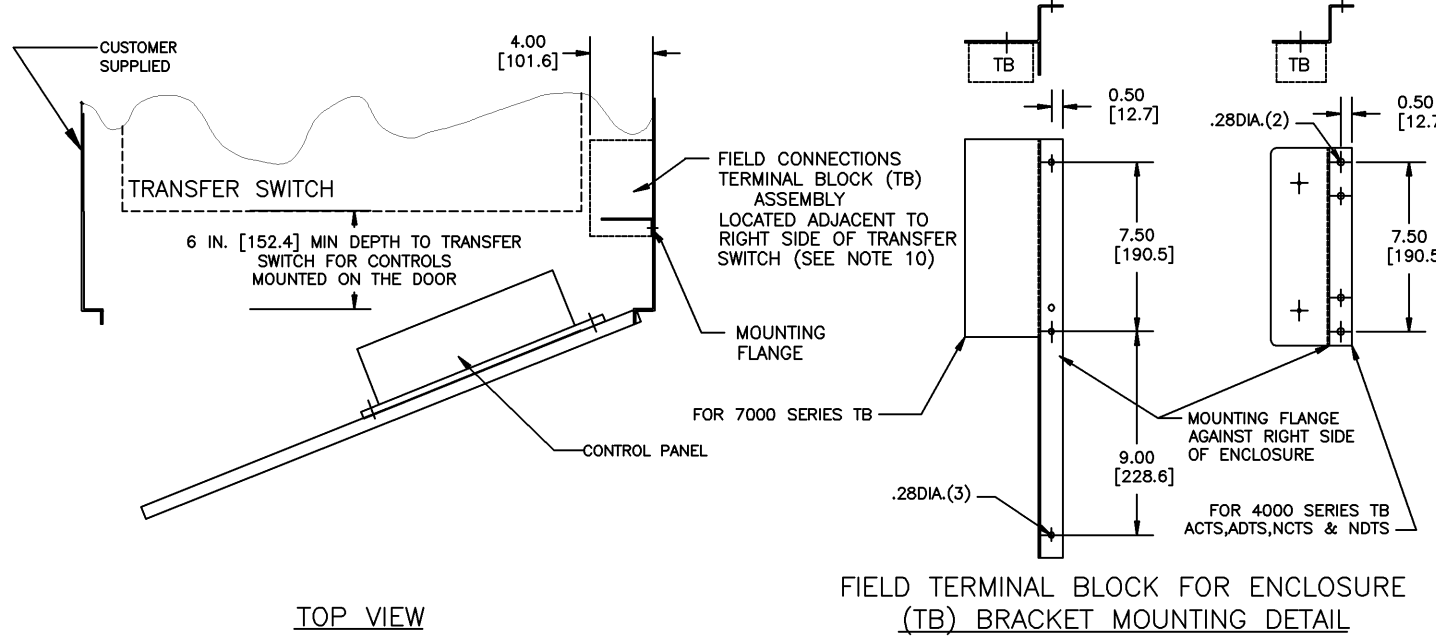
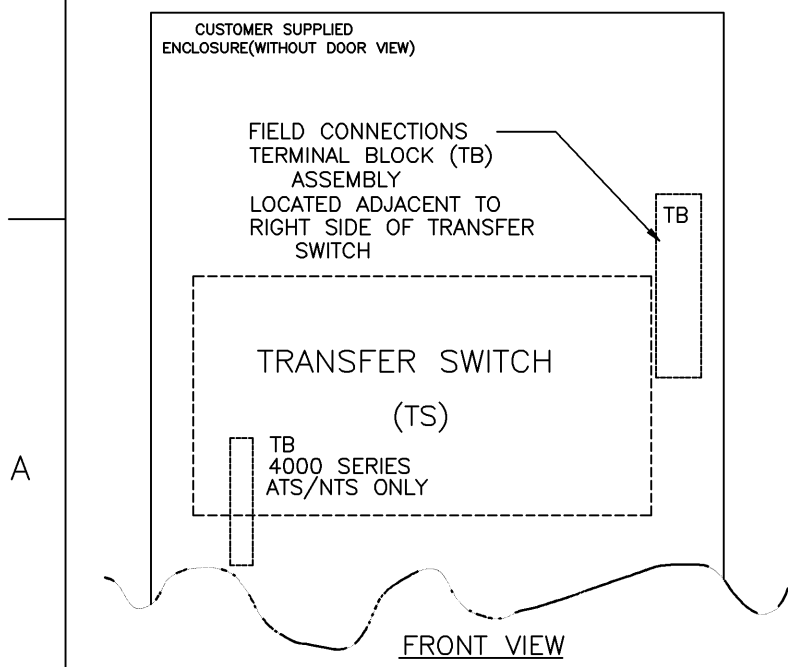
CONTROL PANEL & CONTROLS MOUNTING



CONTROL PANEL & CONTROLS MOUNTING DATA



MOUNTING OF FIELD TERMINAL BLOCK ASSEMBLY (TB) (SEE NOTE 10)



FIELD TERMINAL BLOCK FOR ENCLOSURE (TB) BRACKET MOUNTING DETAIL

A		209625	WK	BK	08/03/06
SEE ECH					
-		205933	BWM	JPB	9/05
ISSUE					
CHANGE LETTER	EDN NO.	BY	APP.	DATE	
SUBSIDIARY DISTRIBUTION					
AC	AM	AM	AL	AL	
CH	AW	AM	PS	AR	
AG	AP	AC	AS	AS	
COMPUTER GENERATED DRAWING					
SCALE	1:1	ACAD	FILE		
CHECKED	JPB	9/05	PROPERTY OF ASCO POWER TECHNOLOGIES. USE PERMITTED FOR OUR WORK ONLY. ALL RIGHTS OF DESIGN OR INVENTION ARE RESERVED.		
DESIGNED	JPB	9/05	ASCO POWER TECHNOLOGIES, L.P.		
FINAL APPROVAL			FLORHAM PARK, NEW JERSEY 07932 U.S.A.		
PROJECT NAME:		OUTLINE 4000/7000 SERIES 150-400A OPEN TYPE			
DRAWN BY:		BWM			
DATE:		9/05			
MANUFACTURING TOLERANCES TO BE IN ACCORDANCE WITH ASCO PROCEDURE MP-1-003. FOR PLASTIC PARTS SEE MP-1-005		ASSEM. REF. NO.			
ASCO		DS780142			
CHANGE LETTER		EDN NO.		209625	
SHEET		3 OF 3			