

- ### GENERAL NOTES
- TYPE 3R ENCLOSURE. FREE STANDING. FLOOR MOUNTED. CODE GAUGE FORMED STEEL FRAME CONSTRUCTION.
 - FRONT & REAR DOORS HAVE A STAINLESS STEEL, PADLOCKABLE HANDLE.
 - FINISH: TYPE 3R: ANSI 61 GRAY POLYESTER SEMI GLOSS ELECTROSTATIC POWDER. TYPE 3RX: EXTERIOR CONSTRUCTED OF CODE GAUGE TYPE 304 STAINLESS STEEL.
 - RECOMMENDED CLEARANCES:
FRONT: 38 INCHES REAR: 36 INCHES
 - ALL BUS IS SILVER-PLATED COPPER, BASED ON 1000A PER SQ. IN. DENSITY.
 - A FULL RATED NEUTRAL CONNECTION FOR EACH SOURCE AND THE LOAD IS OPTIONAL. WHEN PROVIDED IT IS IN ONE OF THE FOLLOWING FORMATS AS SPECIFIED BY THE CATALOG NO. NEUTRAL TYPE;
A. SOLID (COPPER BUS) NEUTRAL
B. SWITCHED NEUTRAL POLE
C. OVERLAPPING NEUTRAL POLE (NOT AVAILABLE ON 7ACUS/7ADUS UNITS)
 - DESIGNED FOR FRONT & REAR ACCESS
 - EXTERIOR VENTS ARE SUPPLIED WITH POLYESTER DUST FILTERS.
 - FOR SPECIFIED TRANSFER SWITCH, REFER TO OPERATOR'S MANUAL PROVIDED WITH UNIT.
 - SECTION 1 & SECTION 1T SHIP AS 1 UNIT.
 - LIFTING PLATES: SECTION SUPPLIED WITH LIFTING PLATES. INSPECT PLATES FOR DAMAGE AND TORQUE BOLTS TO 45 FT LBS BEFORE USE. REFER TO ANSI/NEMA PB 2.1 FOR PROPER HANDLING OF EQUIPMENT. AFTER INSTALLATION OF SECTION, REMOVE LIFTING PLATES. REINSTALL BOLTS INTO EXTERIOR HOLES AND TORQUE TO APROX. 20 FT LBS.

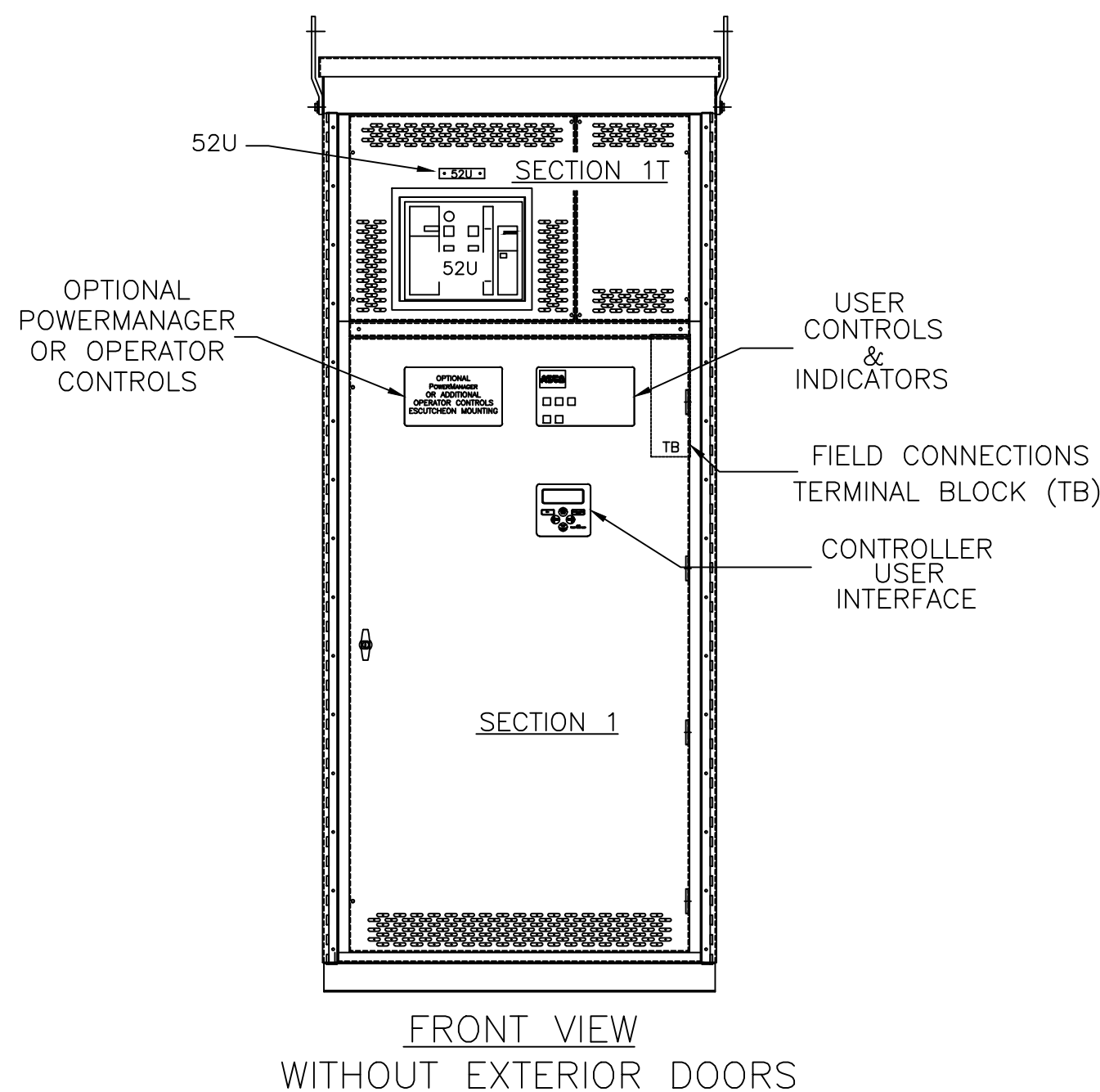
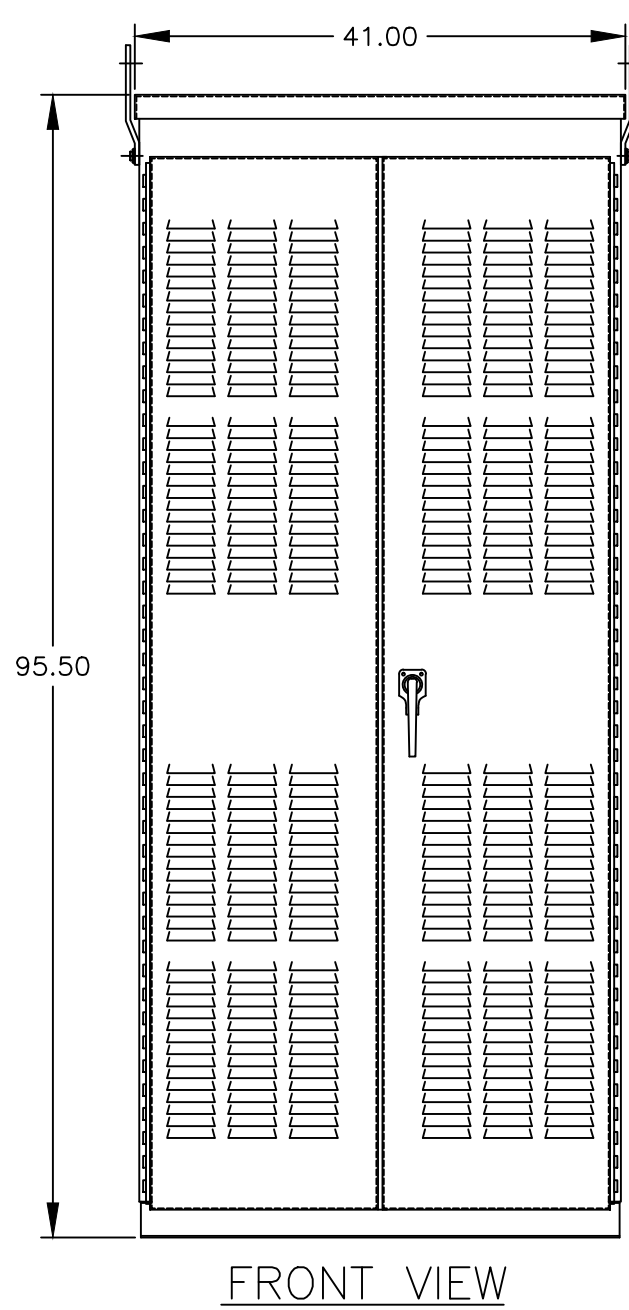
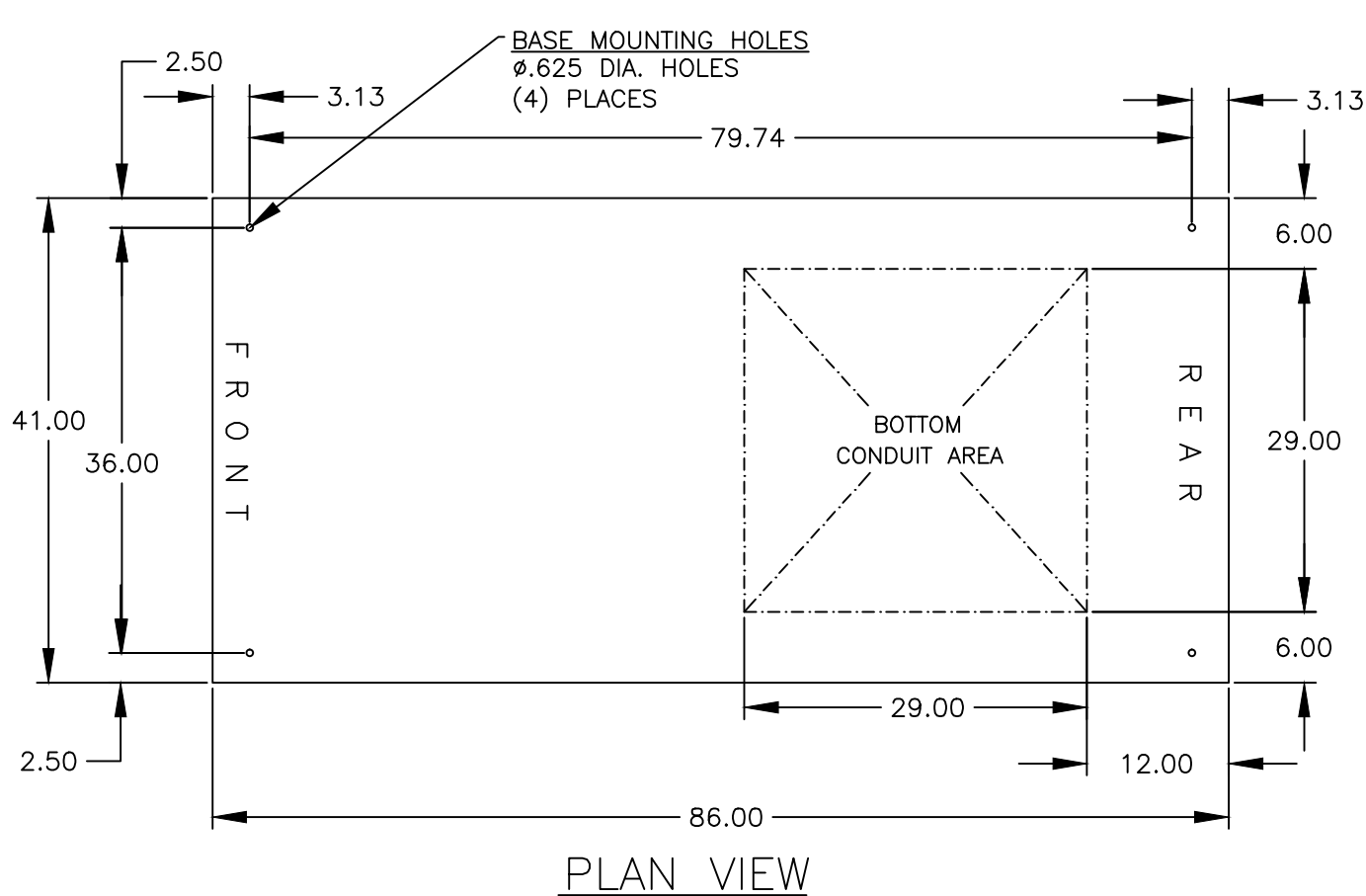
- ### SPECIFICATIONS
- SERVICE VOLTAGE:
SYSTEM RATING: 2500 AMPS, 3000 AMPS, 3Ø, 4W.
GROUND BUS- 600 AMPS
SHORT CIRCUIT RATING- 100,000 RMS SYM AMPERES @ 480V.
THE EMERGENCY SOURCE INPUT MUST BE PROTECTED BY A REMOTE OVERCURRENT PROTECTION DEVICE AS LISTED ON THE MARKINGS ON THE TRANSFER SWITCH.
 - BATTERY VOLTAGE: N/A
 - NEUTRAL BUS: 3000 AMPS
 - APPLICABLE LABELS: U.L. 891- SUITABLE ONLY FOR USE AS SERVICE EQUIPMENT.

- ### CABLING NOTES
- ALL SIZES SUPPLIED STANDARD WITH MECHANICAL (SCREW TYPE) LUGS.
A. LUG MATERIAL: ALUMINUM ALLOY 6061-T6 WITH ELECTRO TIN PLATED FINISH.
B. SCREW MATERIAL: ALUMINUM ALLOY 6262-T9 WITH ELECTRO TIN PLATED FINISH.
C. UL LISTED, CSA CERTIFIED.
D. LUG SCREW TIGHTENING TORQUE PER UL 486B: 19 FT-LBS.
E. SUITABLE WIRE BENDING SPACE IS PROVIDED.
 - OPTIONAL COPPER CRIMP LUGS MAY BE SUPPLIED.
A. LUG MATERIAL: HIGH CONDUCTIVITY WROUGHT COPPER FINISH, ELECTRO TIN PLATED.
B. UL LISTED, CSA CERTIFIED.
C. LUG MOUNTING HARDWARE TIGHTENING TORQUE: (REFER TO WITHSTAND CURRENT RATING LABEL PROVIDED ON EACH TRANSFER SWITCH).
D. SUITABLE WIRE BENDING SPACE IS PROVIDED.
 - CONSULT FACTORY FOR OTHER TERMINATION REQUIREMENTS.

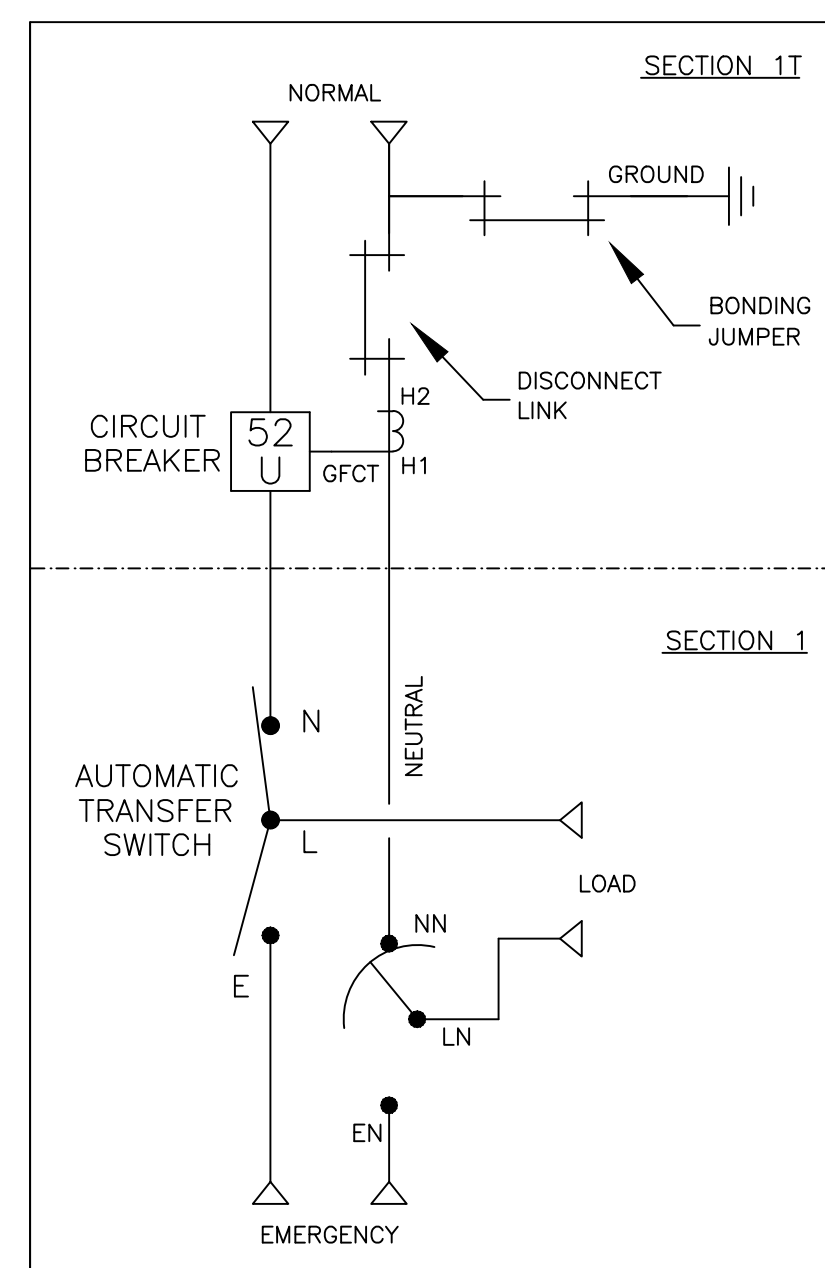
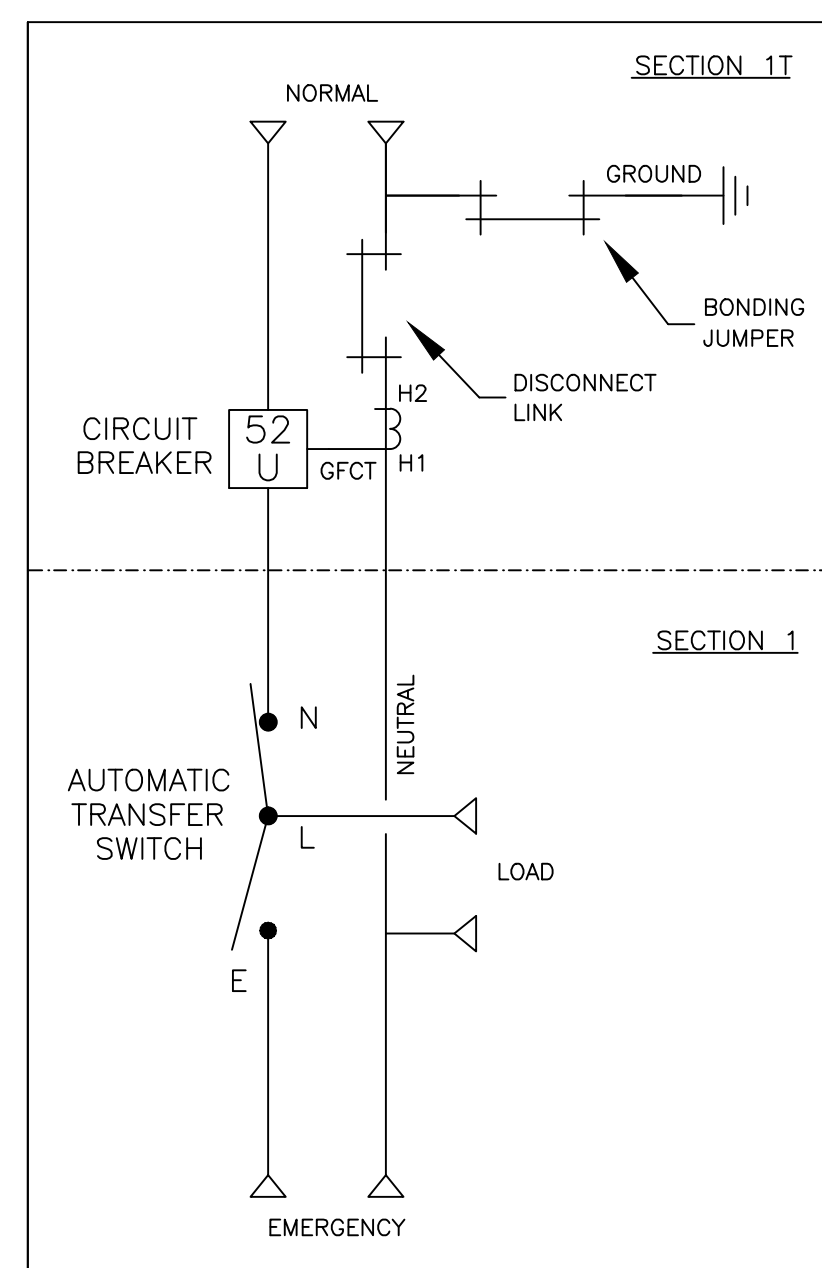
- ### NOTES 2500-3000 AMPS
- SUPPLIED WITH STANDARD MECHANICAL (SCREW TYPE) LUGS ON THE NORMAL, EMERGENCY & LOAD BUS STABS. TWO (2) LUGS PER PHASE AND NEUTRAL, SUITABLE FOR CONNECTION OF TWELVE (12) 1/0 AWG - 750MCM CU/AL CABLE (SEE NOTE "A" BELOW).
A. SUITABLE WIRE BENDING SPACE IS PROVIDED FOR UP TO TWELVE (12) 750MCM CABLES PER TERMINAL PER NEC.
 - OPTIONAL COPPER CRIMP LUGS MAY BE SUPPLIED. UP TO EIGHT (8) TWO HOLE, LONG BARREL CU CRIMP LUGS RATED FOR UP TO 600MCM. (REFER TO CRIMP LUG INSTALLATION DATA PROVIDED WITH UNIT FOR FULL INSTALLATION DETAILS).
A. SUITABLE WIRE BENDING SPACE IS PROVIDED FOR UP TO EIGHT (8) 600MCM CABLES PER TERMINAL PER NEC.
 - GROUND LUGS ARE PROVIDED STANDARD AS FOLLOWS:
(36) 1/0 - 750MCM CU/AL CABLE

CIRCUIT BREAKER: ITEM 52U

SQUARE "D" 100% RATED, TYPE 'NW', 3000AF/3000AT OR 2500AF/2500AT STATIONARY MOUNTED, MANUALLY OPERATED, WITH LONG DELAY, SHORT DELAY, INSTANTANEOUS AND GROUND FAULT TRIP SETTINGS.



ONE LINE DIAGRAMS



E	255505	BG	RN	06/24/15
	SEE ECN			
D	231836	LK	RN	05/03/11
	SEE ECN			
C	221423	DP	RN	1/15/09
	ADDED "100% RATED"			
B	218103	AE	WK	04/23/08
	SEE ECN			
A	214574	TR	WK	8/3/07
	SEE ECN			

PROJECT NAME:		REV. TO SHEET	ECN NO.	BY	APP.	DATE
OUTLINE		MOUNTING				
GAUS 2500A - 3000A, NW SE BREAKER						
TYPE 3R 96 X 41 X 86						
BY	DATE	MANUFACTURING TOLERANCES TO BE IN ACCORDANCE WITH ASCO PROCEDURE MP-1-003. FOR PLASTIC PARTS SEE MP-1-035				
BY	DATE	ASSEM. REF. NO.	COMPUTER GENERATED DRAWING			
CHECKED		PROPERTY OF ASCO POWER TECHNOLOGIES. USE PERMITTED FOR OUR WORK ONLY. ALL RIGHTS OF DESIGN OR INVENTION ARE RESERVED.				
PROJECT APPROVAL		SCALE	1:1	SIZE	DS	
FINAL APPROVAL		754577-053				
		DRAWING E				
		REV. 1				
		ECN NO. 255505				
		SHEET 1 OF 1				