

8 7 6 5 4 3 2 1

### GENERAL NOTES

- UL 508. TYPE 3R/12 WALL MOUNTED ENCLOSURE.
- DOOR HINGED ON LEFT SIDE. DOOR CLAMPS ON ONE SIDE, SEAL GASKETED DOOR. HASP AND STAPLE FOR PADLOCKING.
- FINISH: ANSI 61 GRAY POLYESTER SEMI GLOSS ELECTROSTATIC POWDER.
- RECOMMENDED CLEARANCES:  
FRONT: 36 INCHES
- ALL BUS IS SILVER-PLATED COPPER, BASED ON 1000A PER SQ. IN. DENSITY.
- A FULL RATED NEUTRAL CONNECTION FOR EACH SOURCE AND THE LOAD IS OPTIONAL. WHEN PROVIDED IT IS IN ONE OF THE FOLLOWING FORMATS AS SPECIFIED BY THE CATALOG NO. NEUTRAL TYPE;
  - SOLID (COPPER BUS) NEUTRAL (PROVIDED STANDARD ON E3AUS)
  - SWITCHED NEUTRAL POLE (1Ø, 3W ONLY)
  - OVERLAPPING NEUTRAL POLE
- DESIGNED FOR FRONT ACCESS ONLY.
- TO CONVERT FROM TYPE 12 ENCLOSURE INTO TYPE 3R ENCLOSURE, DRILL (2) .25 DIA HOLES AS SHOWN.
- FOR SPECIFIED TRANSFER SWITCH, REFER TO OPERATOR'S MANUAL PROVIDED WITH UNIT.

### SPECIFICATIONS

- SERVICE VOLTAGE:  
SYSTEM RATING: 225 AMPS, 250 AMPS, 300 AMPS, 350 AMPS, 400 AMPS, 3Ø, 4W OR 1Ø, 3W.  
GROUND BUS- 150 AMPS  
SHORT CIRCUIT RATING- 35,000 RMS SYM AMPERES @ 480V.  
THE EMERGENCY SOURCE INPUT MUST BE PROTECTED BY A REMOTE OVERCURRENT PROTECTION DEVICE AS LISTED ON THE MARKINGS ON THE TRANSFER SWITCH.
- BATTERY VOLTAGE: N/A
- NEUTRAL BUS: A FULL RATED NEUTRAL IS PROVIDED.
- APPLICABLE LABELS: U.L. 1008- SUITABLE ONLY FOR USE AS SERVICE EQUIPMENT.

### NOTES 225-250 AMPS

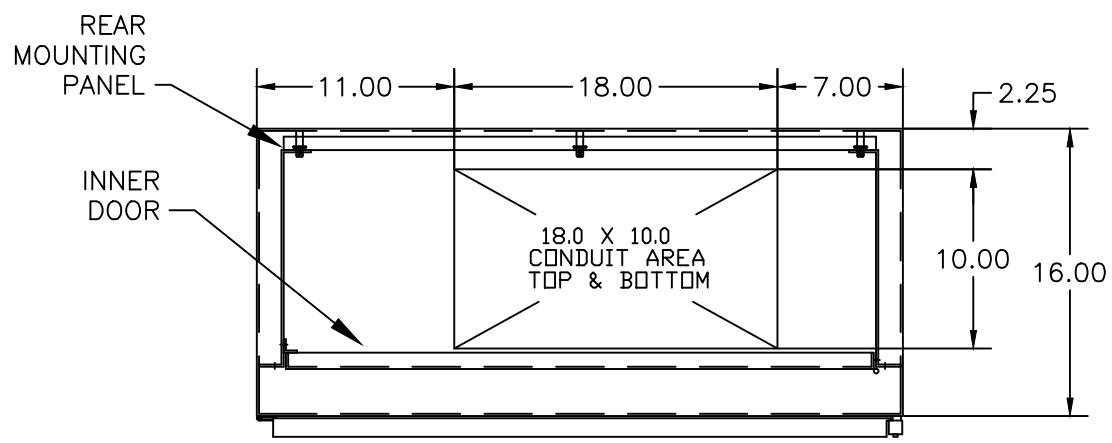
- SUPPLIED WITH STANDARD MECHANICAL (SCREW TYPE) LUGS ON THE EMERGENCY & LOAD BUS STABS. ONE (1) LUG PER PHASE AND NEUTRAL EACH SUITABLE FOR CONNECTION OF (1) #4 AWG TO 600MCM OR (2) 1/0 AWG TO 250MCM CU/AL CABLE (SEE NOTE "A" BELOW).  
A. SUITABLE WIRE BENDING SPACE IS PROVIDED FOR UP TO TWO (2) 1/0 AWG CABLE PER TERMINAL PER NEC.
- FACTORY WIRING: (1) 300MCM PER PHASE AND NEUTRAL
- GROUND LUGS ARE PROVIDED STANDARD AS FOLLOWS;  
(3) #6 AWG- 250 MCM CU/AL CABLE
- NORMAL CABLE CONNECTIONS SUITABLE FOR (1) #1 AWG TO 600 MCM OR (2) #1 AWG TO 250 MCM PER Ø AND NEUTRAL.

### NOTES 300-400 AMPS

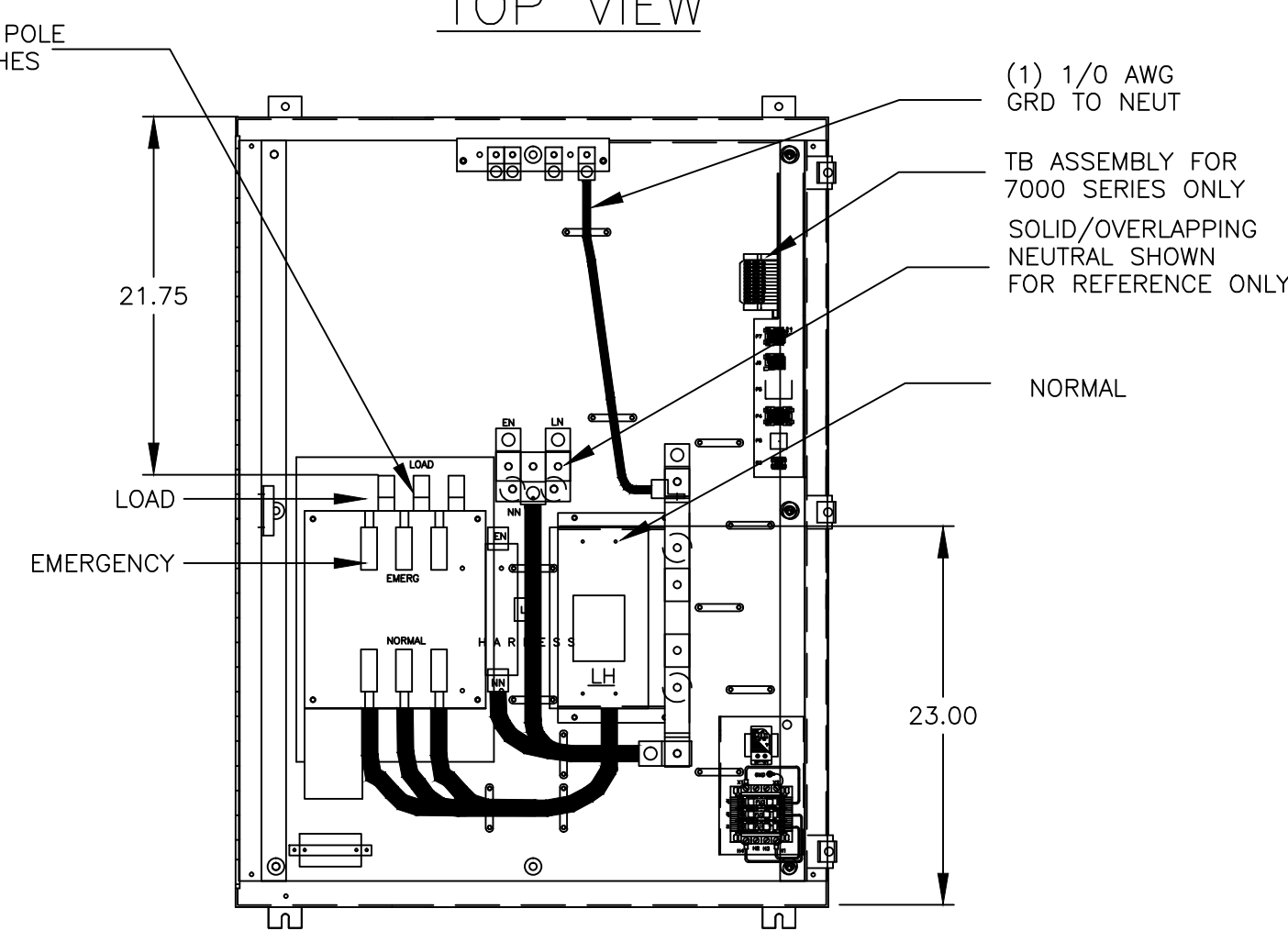
- SUPPLIED WITH STANDARD MECHANICAL (SCREW TYPE) LUGS ON THE EMERGENCY & LOAD BUS STABS. ONE (1) LUG PER PHASE AND NEUTRAL EACH SUITABLE FOR CONNECTION OF (1) #4 AWG TO 600MCM OR (2) 1/0 AWG TO 250MCM CU/AL CABLE (SEE NOTE "A" BELOW).  
A. SUITABLE WIRE BENDING SPACE IS PROVIDED FOR UP TO TWO (2) 1/0 AWG CABLE PER TERMINAL
- FACTORY WIRING: (2) 3/0 PER PHASE AND NEUTRAL
- GROUND LUGS ARE PROVIDED STANDARD AS FOLLOWS;  
(3) #6 AWG- 250 MCM CU/AL CABLE
- NORMAL CABLE CONNECTIONS SUITABLE FOR (1) #1 AWG TO 600 MCM OR (2) #1 AWG TO 250 MCM PER Ø AND NEUTRAL.

### CIRCUIT BREAKER: ITEM 52U

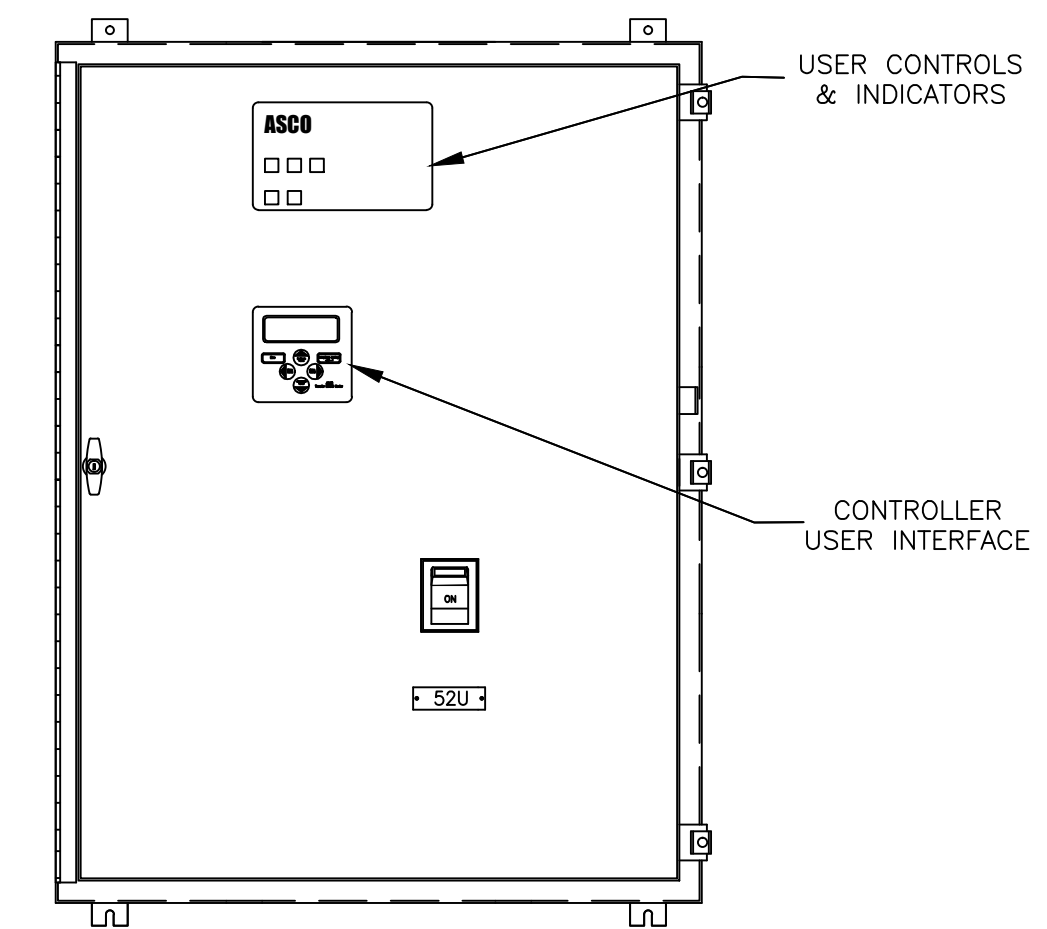
SQUARE "D" 80% RATED, TYPE 'LHL', 400AF/225AT, 400AF/250AT, 400AF/300AT, 400AF/350AT, 400AF/400AT, MOLDED CASE CIRCUIT BREAKER, THERMAL MAGNETIC, TRIP SETTINGS.



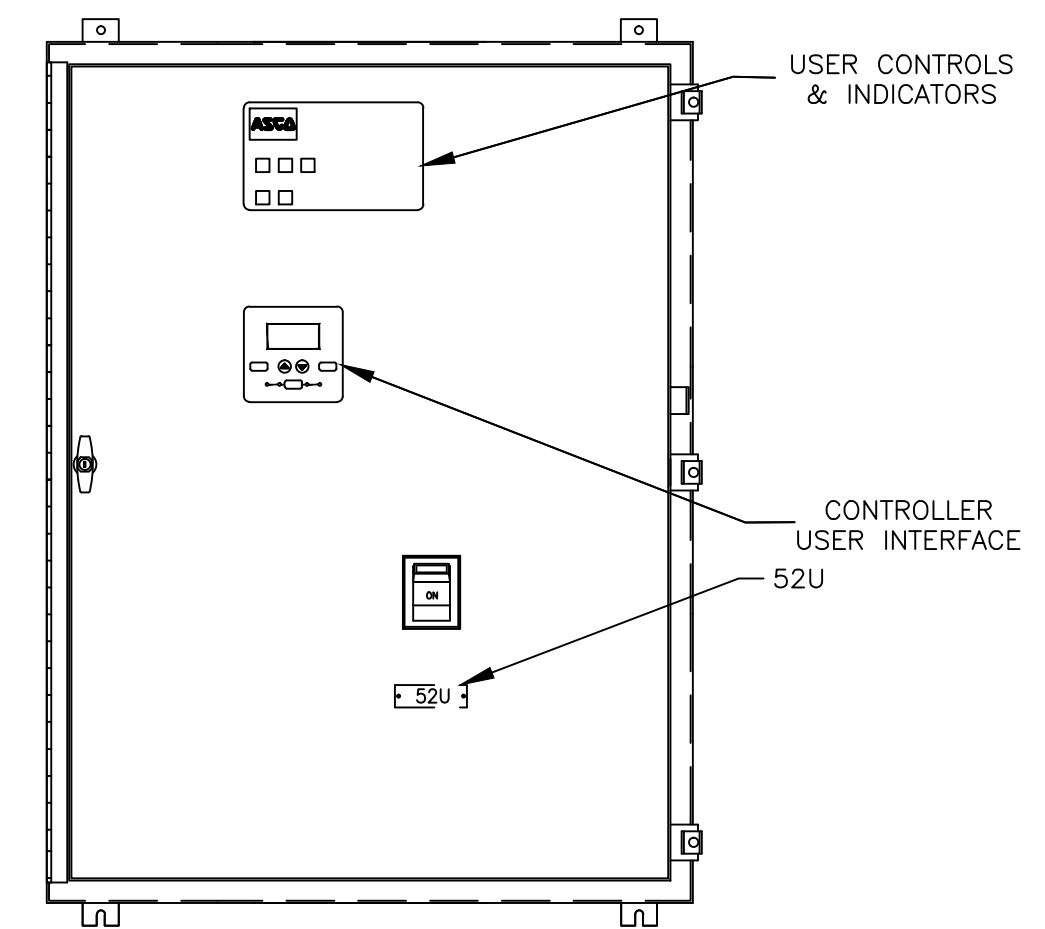
TOP VIEW



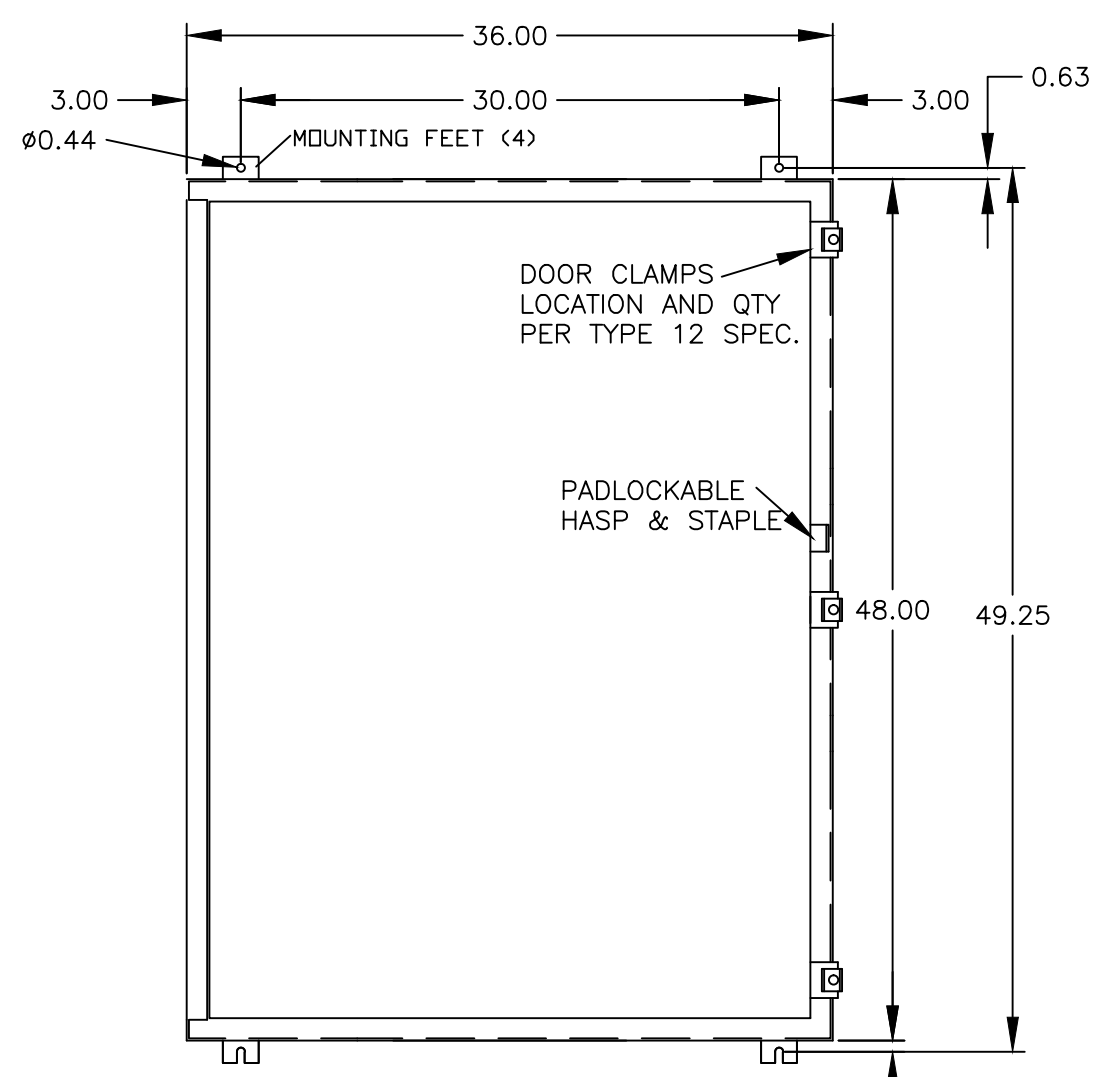
FRONT VIEW WITHOUT INNER DOOR



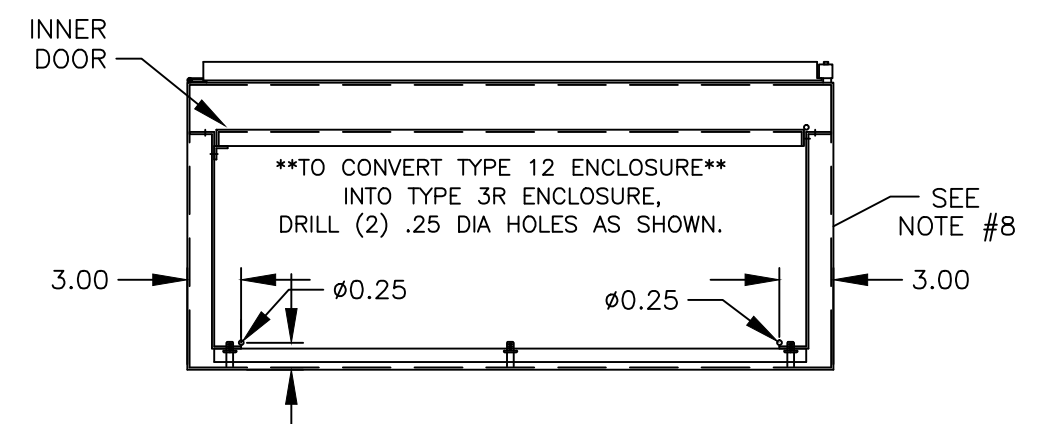
INNER DOOR FRONT VIEW  
7000 SERIES/4000 SERIES



INNER DOOR FRONT VIEW  
300 SERIES

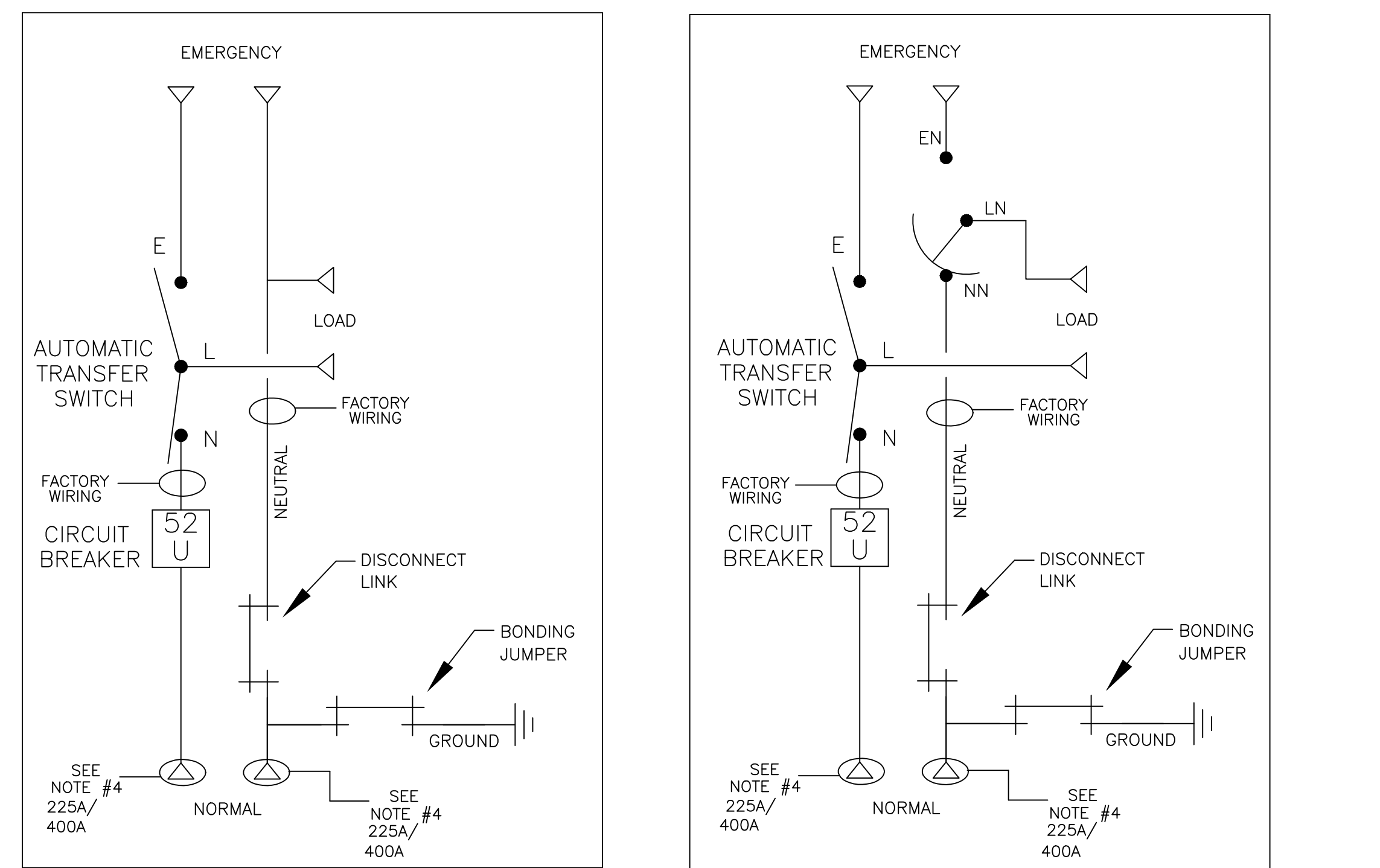


FRONT VIEW



BOTTOM VIEW \*\*TYPE 3R ONLY\*\*

### ONE LINE DIAGRAMS



(WITH SOLID NEUTRAL) (WITH SWITCHED/OVERLAPPING NEUTRAL)

PROJECT NAME:		K 248067 LY	
REV. TO SHEET	ECN NO.	BY	APP. DATE
OUTLINE		MOUNTING	
EAUS 225-400A LHL			
TYPE 3R/12 48 X 36 X 16			
BY	DATE	MANUFACTURING TOLERANCES TO BE IN ACCORDANCE WITH ASCO PROCEDURE MP-1-003. FOR PLASTIC PARTS SEE MP-1-035	ASSEM. REF. NO.
MM	6/17/04		
CHECKED		PROPERTY OF ASCO POWER TECHNOLOGIES. USE PERMITTED FOR OUR WORK ONLY. ALL RIGHTS OF DESIGN OR INVENTION ARE RESERVED.	SCALE 3/32" = 1" SIZE DS
PROJECT APPROVAL			COMPUTER GENERATED DRAWING
FINAL APPROVAL			DWG. NO. 754576-002
			ASCO® ASCO POWER TECHNOLOGIES, L.P. FLORHAM PARK, NEW JERSEY 07932 U.S.A.
			DRAWING K ECN NO. 248067 SHEET 1 OF 1

8 7 6 5 4 3 2 1