


# OUTLINE & MOUNTING FOR ASCO 7000 SERIES FRONT CONNECTED AUTOMATIC TRANSFER & BYPASS-ISOLATION SWITCHES TYPES H7ATB, H7ACTB & H7ADTB RATED 600-960 AMPS

## GENERAL NOTES

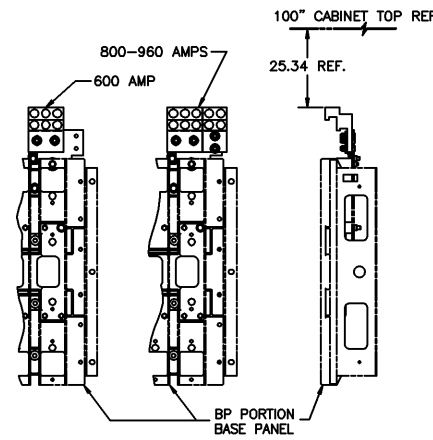
- TYPE 12 ENCLOSURE. FREE STANDING. FLOOR MOUNTED.
- MATERIAL: 10 GAUGE STEEL TYPE 12 - CARBON STEEL.
- FINISH: ASA 61 GRAY, POLYESTER POWDER. UL RECOGNIZED.
- SEALED SEAM WELDED CONSTRUCTION IS IN ACCORDANCE WITH UL 1008.
- KEY LOCKING LATCHING HANDLES ON TYPE 12: ISOLATION HANDLE: THE TRANSFER SWITCH ISOLATION HANDLE MAY BE PADLOCKED WITH THE TRANSFER SWITCH IN THE FULLY ISOLATED (DISCONNECTED POSITION).
- A 20% RATED GROUND BUS IS PROVIDED AT THE UPPER LEFT OF THE CABLE COMPARTMENT.
- A FULL RATED NEUTRAL CONNECTION FOR EACH SOURCE AND THE LOAD IS OPTIONAL. WHEN PROVIDED IT IS IN ONE OF THE FOLLOWING FORMATS AS SPECIFIED BY THE CATALOG NO. NEUTRAL TYPE:  
TYPE A: SOLID NEUTRAL BUS (SEE DETAIL "A").  
TYPE B: SWITCHED NEUTRAL POLE  
TYPE C: OVERLAPPING NEUTRAL POLE (NOT AVAILABLE ON 7ADTB & 7ACTB UNITS)
- APPROXIMATE WEIGHT: 1850 LBS.
- STANDARD OUTLINE FOR A FOUR POLE TRANSFER WITH BYPASS/ISOLATION SWITCH. SHOWN WITH LUG CONFIGURATION FOR FOUR POLE, OR THREE POLE WITH OVERLAPPING NEUTRAL. SEE DETAIL "A" FOR LUG CONFIGURATION OF SOLID NEUTRAL.
-  CENTER OF GRAVITY

## CABLING NOTES

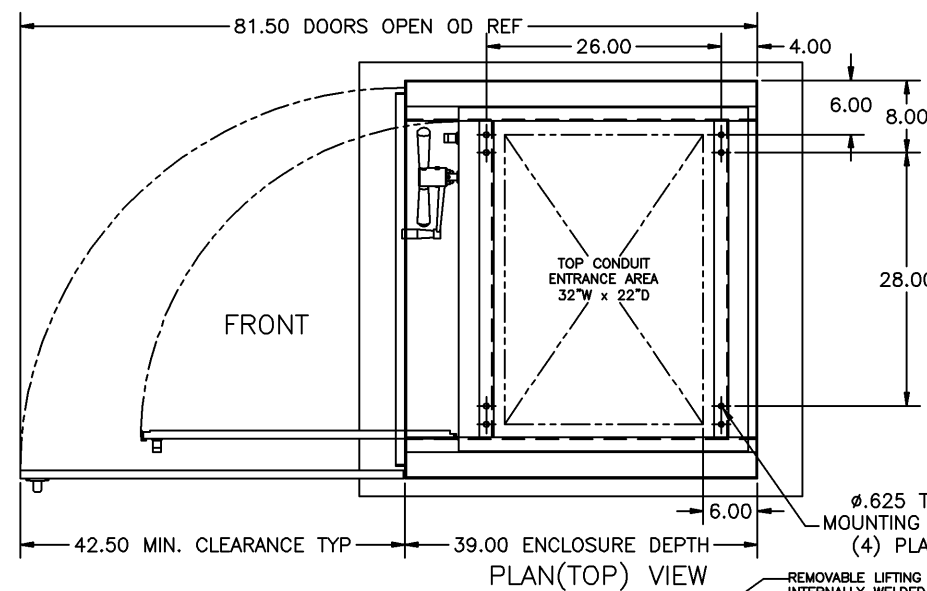
- ALL SIZES SUPPLIED STANDARD WITH MECHANICAL (SCREW TYPE) LUGS ON THE NORMAL, EMERGENCY & LOAD. ONE (1) LUG PER PHASE AND NEUTRAL EACH SUITABLE FOR CONNECTION OF:  
TWO (2) #2-600 MCM CU/AL CABLE FOR 600 AMP SWITCH.  
FOUR (4) 1/0-750 MCM CU/AL CABLE FOR 800-960 AMP SWITCH.  
A. LUG MATERIAL: ALUMINUM ALLOY 6061-T6 WITH ELECTRO TIN PLATED FINISH.  
B. SCREW MATERIAL: ALUMINUM ALLOY 6262-T9 WITH ELECTRO TIN PLATED FINISH.  
C. UL LISTED, CSA CERTIFIED.  
D. LUG SCREW TIGHTENING TORQUE PER UL 486B: 375 IN.-LBS.  
E. SUITABLE WIRE BENDING SPACE IS PROVIDED FOR UP TO TWO (2) 600MCM CABLES PER TERMINAL FOR THE 600 AMP SWITCH & THREE (3) 600 MCM CABLES PER TERMINAL FOR THE 800-960 AMP SWITCH.
- OPTIONAL COPPER CRIMP LUGS MAY BE SUPPLIED. UP TO THREE (3) TWO HOLE, LONG BARREL CU CRIMP LUGS RATED FOR UP TO 750MCM. (REFER TO CRIMP LUG INSTALLATION DATA PROVIDED WITH UNIT FOR FULL INSTALLATION DETAILS).  
A. LUG MATERIAL: HIGH CONDUCTIVITY WROUGHT COPPER FINISH, ELECTRO TIN PLATED.  
B. UL LISTED, CSA CERTIFIED.  
C. LUG MOUNTING HARDWARE TIGHTENING TORQUE: (REFER TO WITHSTAND CURRENT RATING LABEL PROVIDED ON EACH TRANSFER SWITCH).  
D. SUITABLE WIRE BENDING SPACE IS PROVIDED FOR UP TO THREE (3) 750MCM CABLES PER TERMINAL.
- MECHANICAL GROUNDING LUG FOR UP TO (6) 750MCM - 1/0 CU/AL CABLES IS PROVIDED AS STANDARD. FRONT CONNECTED TOP SERVICE CABLE ENTRY CONFIGURATION IS STANDARD. CONSULT FACTORY FOR OTHER TERMINATION REQUIREMENTS.

## MOUNTING ENCLOSURE NOTE

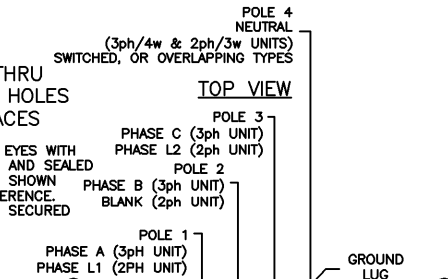
"ENCLOSURE MOUNTING MAY" REQUIRE REMOVE OF T/S ASSEMBLY. PROPER CARE SHOULD BE TAKEN DURING, REMOVAL AND HANDLING OF TRANSFER SWITCH ASSEMBLY.



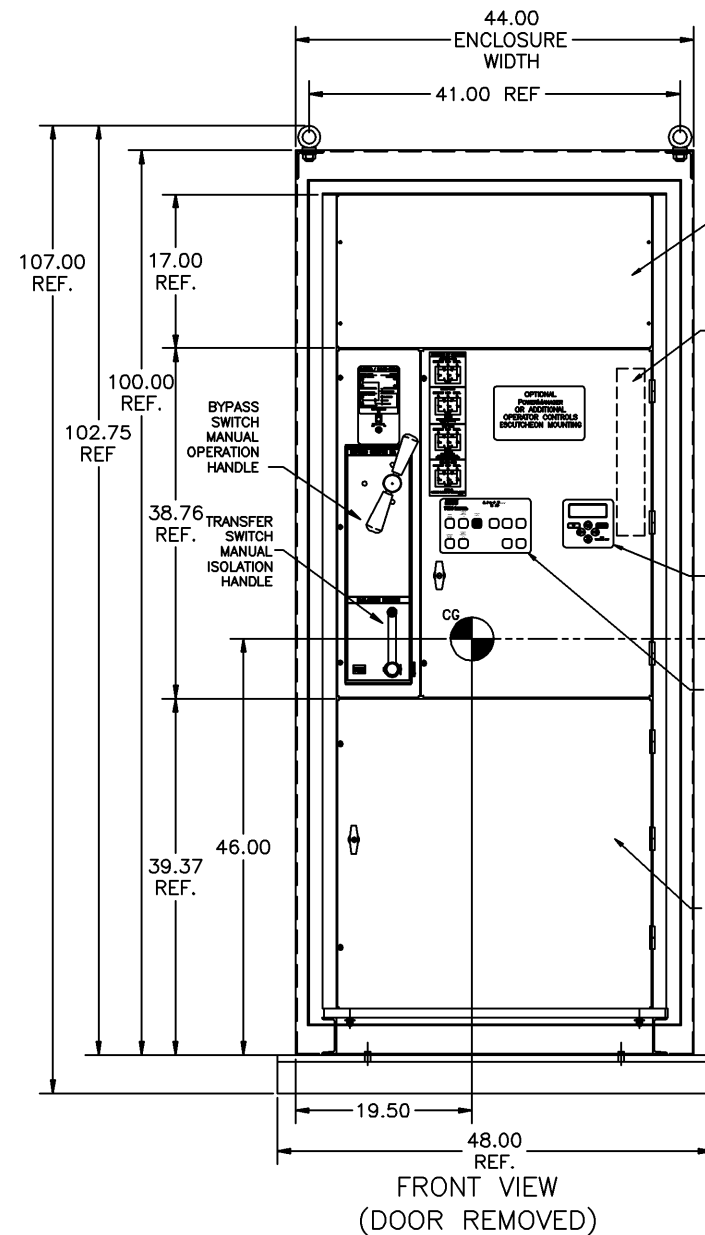
DETAIL "A"  
SOLID NEUTRAL



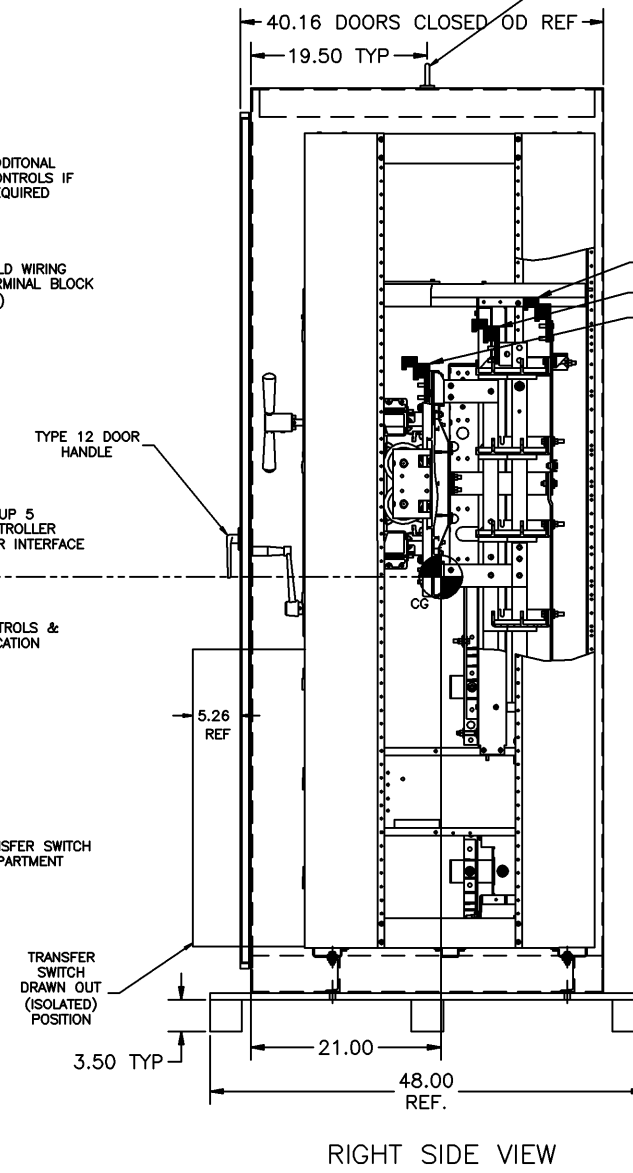
PLAN(TOP) VIEW



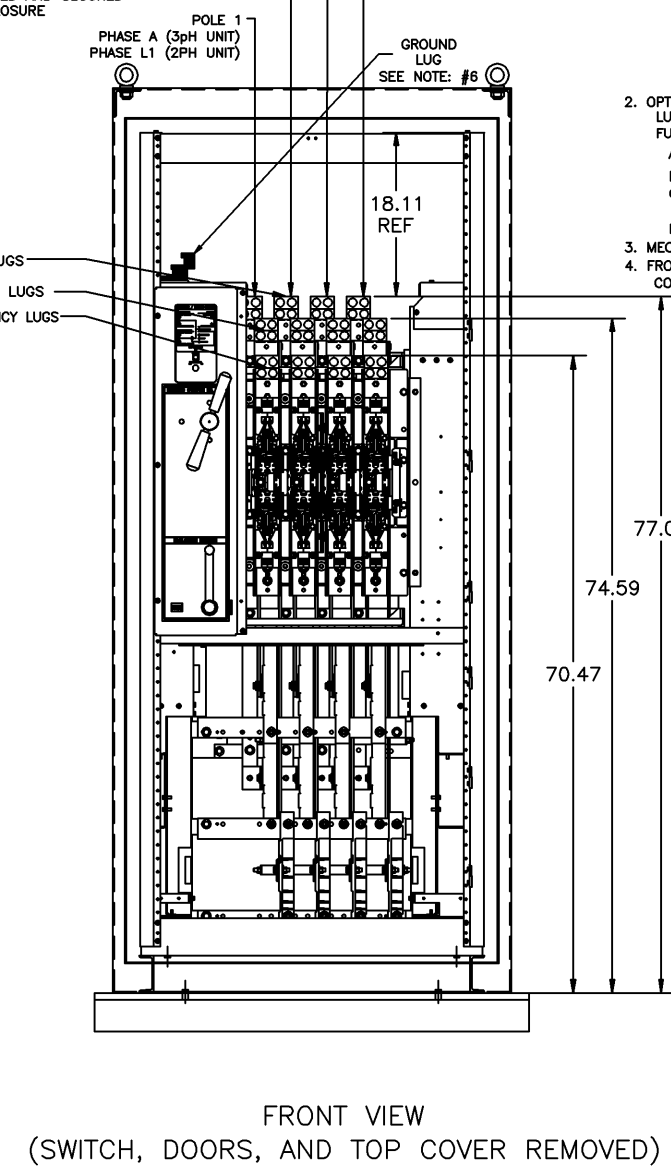
TOP VIEW



FRONT VIEW  
(DOOR REMOVED)



RIGHT SIDE VIEW



FRONT VIEW  
(SWITCH, DOORS, AND TOP COVER REMOVED)

D	218033	TR	WK	04/18/08
	SEE ECN			
C	207646	TR	WK	02/18/08
	SEE ECN			
B	208891	TR	WK	02/10/05
	SEE ECN			
A	203398	TR	WK	02/10/05
	SEE ECN			
-	203399	TR	WK	02/04/05
	ISSUE			

PROJECT NAME: XD 1024 H SERIES		REV. TO SHEET	ECN NO.	BY	APP.	DATE
OUTLINE & MOUNTING						
600-960 AMP TYPE 12 TB/CTB/DTB						
FRONT CONNECT BYPASS						
DRAWN BY	DJB	DATE	11/21/05	MANUFACTURING TOLERANCES TO BE IN ACCORDANCE WITH ASCO PROCEDURE MP-1-003. FOR PLASTIC PARTS SEE MP-1-005	ASSEMB. REF. NO.	
CHECKED	WK	DATE	02/04/05	PROPERTY OF ASCO POWER TECHNOLOGIES. USE PERMITTED FOR OUR WORK ONLY. ALL RIGHTS OF DESIGN OR INVENTION ARE RESERVED.	SCALE	1:1 DS
APPROVED	WK	DATE	02/04/05		DWG. NO.	749416-002
FINAL APPROVAL					DRAWING D	ECN NO. 218033
ASCO POWER TECHNOLOGIES, LP.		FLORHAM PARK, NEW JERSEY 07832 U.S.A.				
		SHEET 1 OF 1				