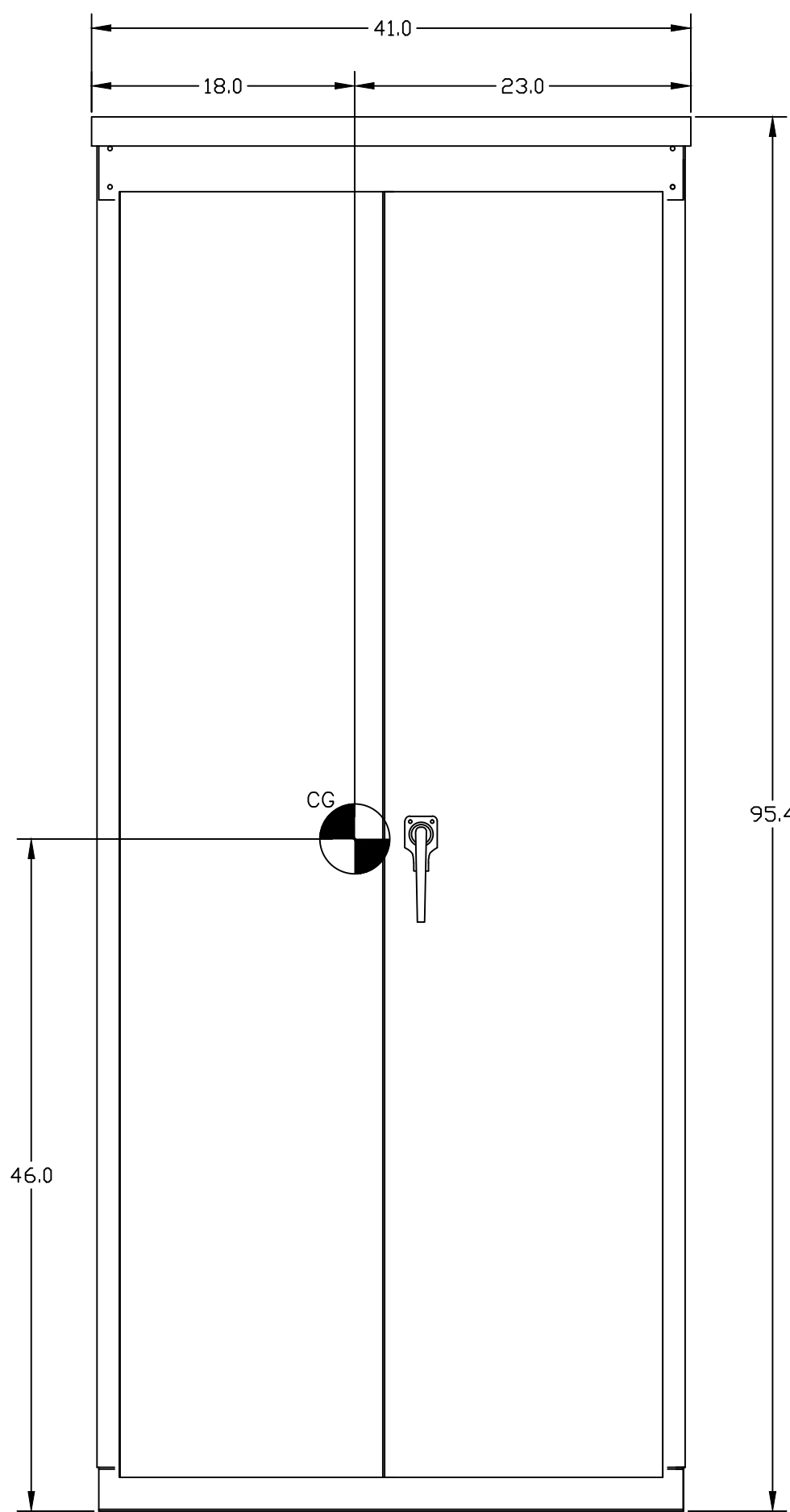
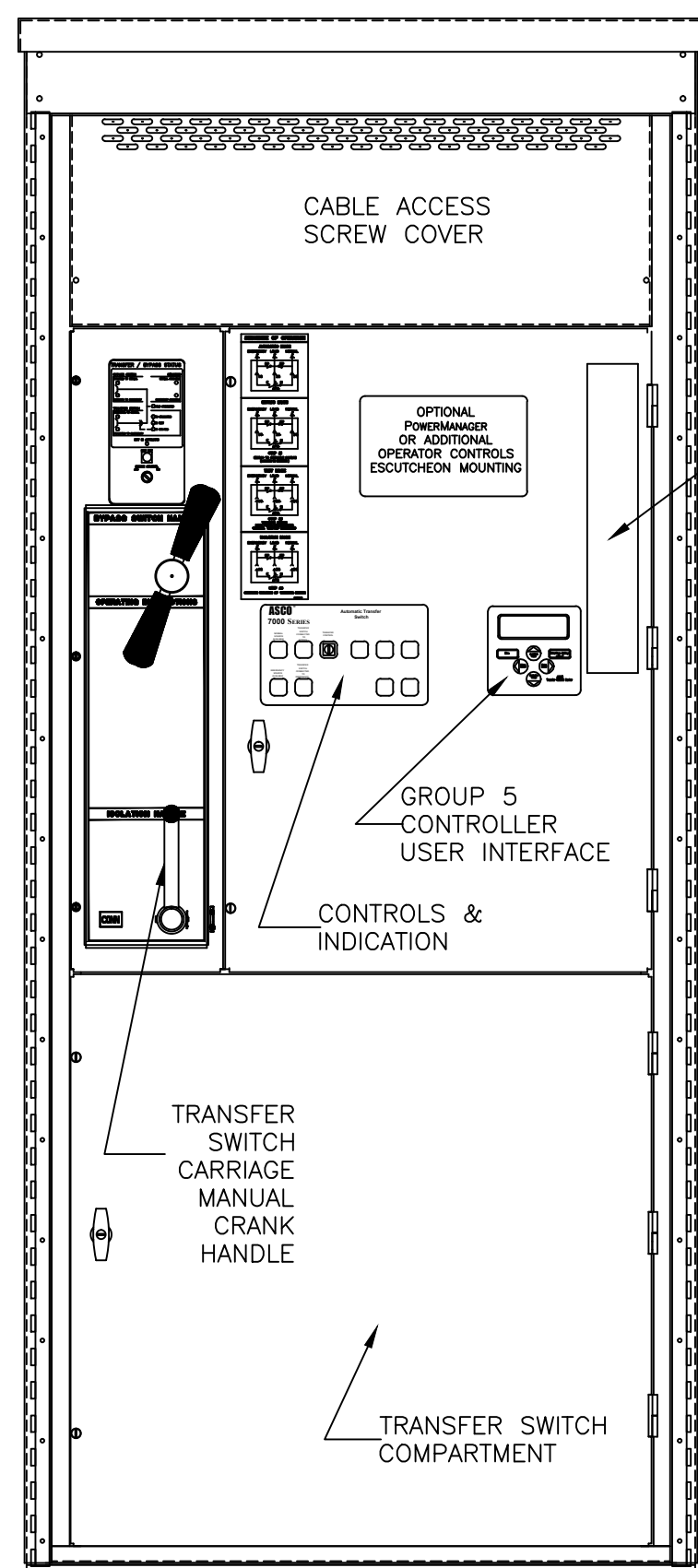


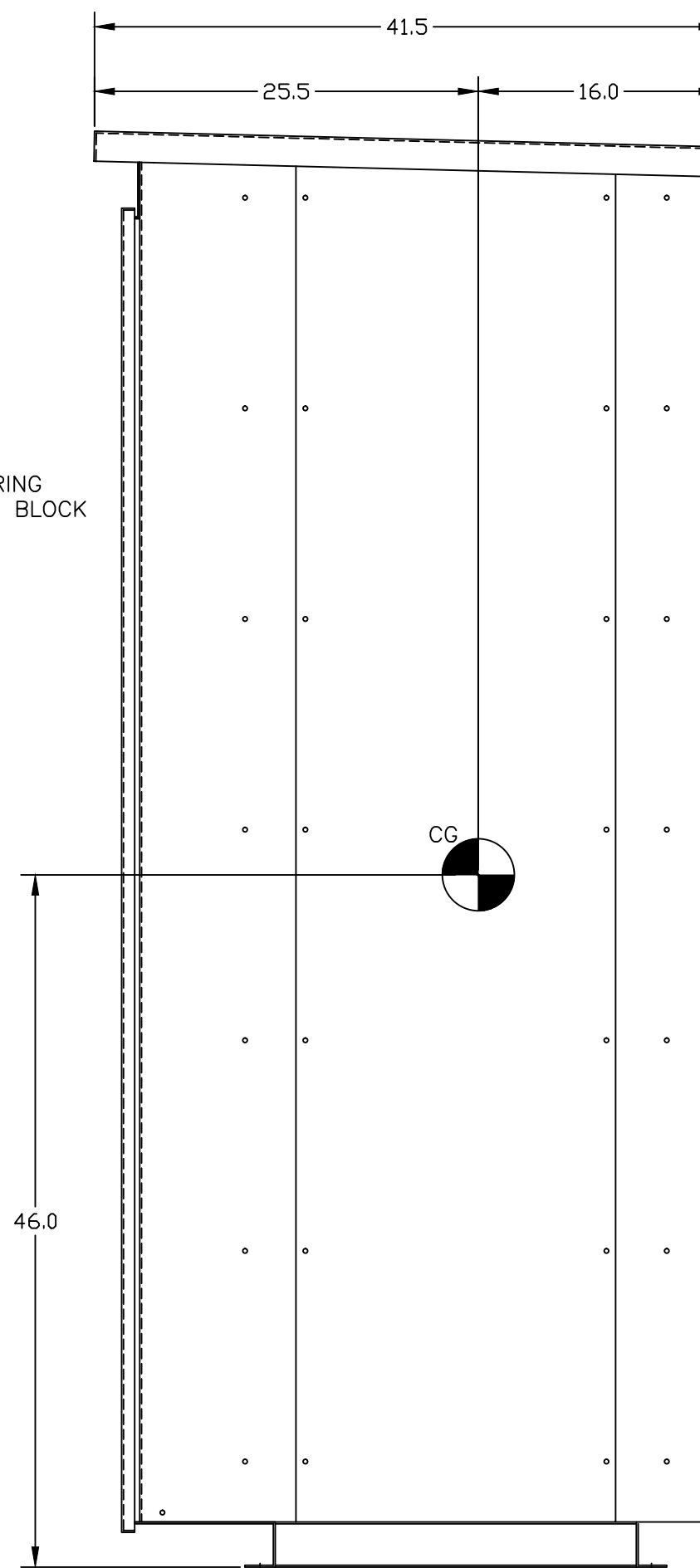
TOP VIEW



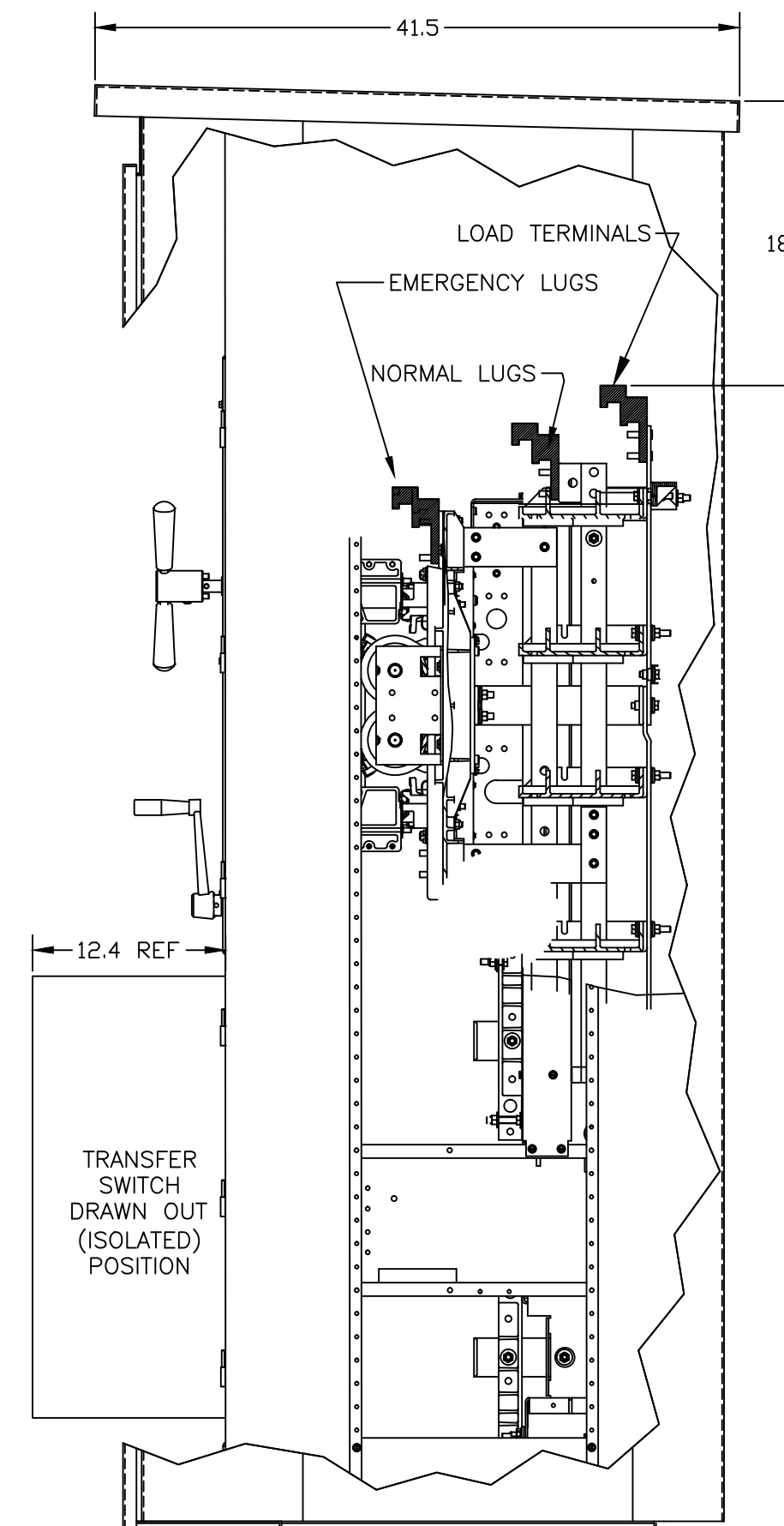
FRONT VIEW



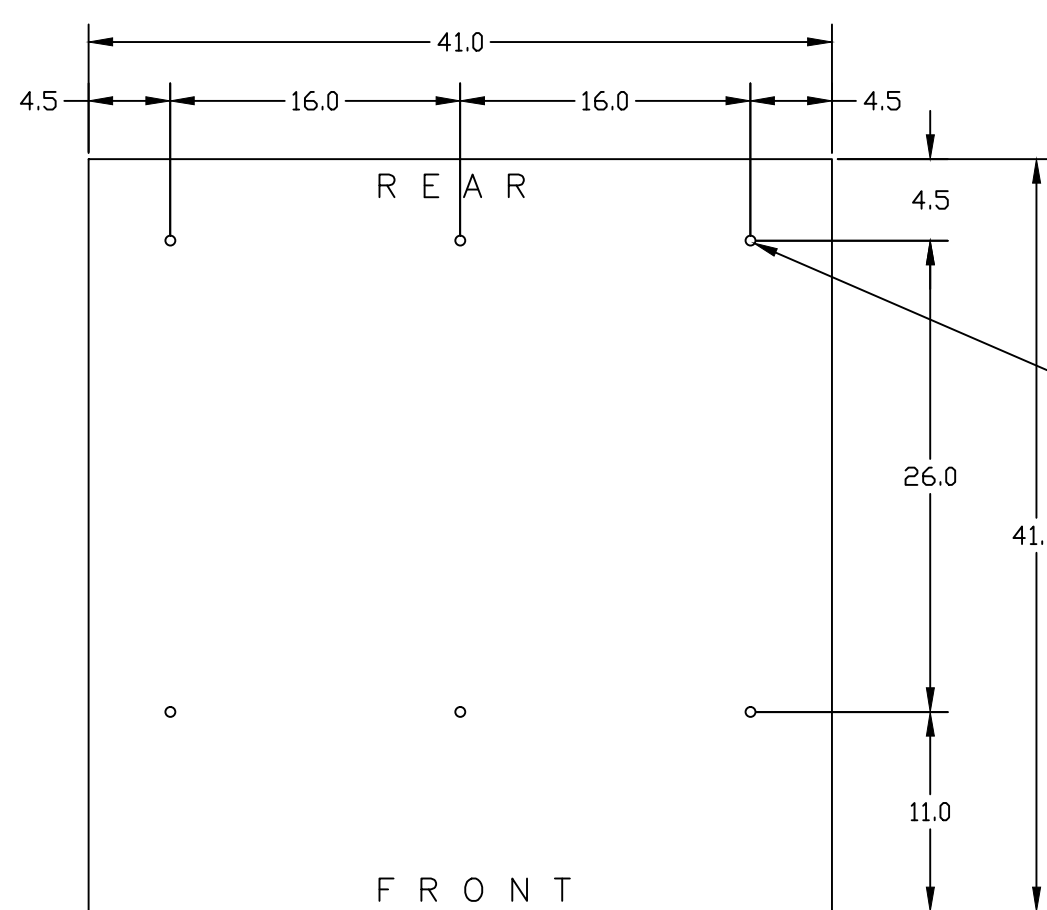
FRONT VIEW WITHOUT EXTERIOR DOOR



SIDE VIEW



RIGHT SIDE SECTION VIEW



PLAN VIEW

GENERAL NOTES

- TYPE 3R ENCLOSURE. FREE STANDING. FLOOR MOUNTED. CODE GAUGE FORMED STEEL FRAME CONSTRUCTION.
- FRONT DOOR HAS A STAINLESS STEEL, PADLOCKABLE HANDLE.
- FINISH: TYPE 3R: ANSI 61 GRAY POLYESTER SEMI GLOSS ELECTROSTATIC POWDER. TYPE 3RX: EXTERIOR CONSTRUCTED OF CODE GAUGE TYPE 304 STAINLESS STEEL.
- SWITCH CONSTRUCTION IS IN ACCORDANCE WITH UL 1008. NORMAL & LOAD LUG BUS RISER CONSTRUCTION IS IN ACCORDANCE WITH UL 891.
- APPLICABLE U.L. LABELS: UL 1008, UL 891.
- PADLOCKING PROVISIONS ARE INCLUDED: ISOLATION HANDLE: THE TRANSFER SWITCH ISOLATION HANDLE MAY BE PADLOCKED WITH THE TRANSFER SWITCH IN THE FULLY ISOLATED (DISCONNECTED POSITION).
- RECOMMENDED CLEARANCES: FRONT: 48 INCHES
- A 20% RATED GROUND BUS IS PROVIDED.
- A FULL RATED NEUTRAL CONNECTION FOR EACH SOURCE AND THE LOAD IS OPTIONAL. WHEN PROVIDED IT IS IN ONE OF THE FOLLOWING FORMATS AS SPECIFIED BY THE CATALOG NO. NEUTRAL TYPE:
TYPE A: SOLID NEUTRAL BUS
TYPE B: SWITCHED NEUTRAL POLE
TYPE C: OVERLAPPING NEUTRAL POLE (NOT AVAILABLE ON 7ADTB & 7ACTB UNITS)
- THE STANDARD SWITCH CONFIGURATION IS FOR FRONT EMERGENCY, CENTER LOAD, AND REAR NORMAL. OPTIONALLY, THE SWITCH MAY BE SUPPLIED WITH REVERSE SOURCES. (REFER TO THE WIRING DIAGRAM FURNISHED WITH EACH TRANSFER SWITCH TO DETERMINE TERMINATION POSITIONS).

-  CENTER OF GRAVITY

TERMINATIONS

- ALL SIZES SUPPLIED STANDARD WITH MECHANICAL (SCREW TYPE) LUGS.
A. LUG MATERIAL: ALUMINUM ALLOY 6061-T6 WITH ELECTRO TIN PLATED FINISH.
B. SCREW MATERIAL: ALUMINUM ALLOY 6262-T9 WITH ELECTRO TIN PLATED FINISH.
C. UL LISTED, CSA CERTIFIED.
D. LUG SCREW TIGHTENING TORQUE PER UL 486B: 19 FT-LBS.
E. SUITABLE WIRE BENDING SPACE IS PROVIDED.
- OPTIONAL COPPER CRIMP LUGS MAY BE SUPPLIED.
A. LUG MATERIAL: HIGH CONDUCTIVITY WROUGHT COPPER FINISH, ELECTRO TIN PLATED.
B. UL LISTED, CSA CERTIFIED.
C. LUG MOUNTING HARDWARE TIGHTENING TORQUE: (REFER TO WITHSTAND CURRENT RATING LABEL PROVIDED ON EACH TRANSFER SWITCH).
D. SUITABLE WIRE BENDING SPACE IS PROVIDED.
- CONSULT FACTORY FOR OTHER TERMINATION REQUIREMENTS.

CABLE NOTES 600 AMP SWITCHES

- SUPPLIED WITH STANDARD MECHANICAL (SCREW TYPE) LUGS ON THE NORMAL, EMERGENCY & LOAD BUS STABS. ONE (1) LUG PER PHASE AND NEUTRAL EACH SUITABLE FOR CONNECTION OF TWO (2) #2 -600MCM CU/AL CABLE (SEE NOTE "E" BELOW).
E. SUITABLE WIRE BENDING SPACE IS PROVIDED FOR UP TO TWO (2) 600MCM CABLES PER TERMINAL PER NEC.
- OPTIONAL COPPER CRIMP LUGS MAY BE SUPPLIED. UP TO TWO (2) TWO HOLE, LONG BARREL CU CRIMP LUGS RATED FOR UP TO 600MCM. (REFER TO CRIMP LUG INSTALLATION DATA PROVIDED WITH UNIT FOR FULL INSTALLATION DETAILS).
D. SUITABLE WIRE BENDING SPACE IS PROVIDED FOR UP TO TWO (2) 600MCM CABLES PER TERMINAL PER NEC.
- GROUND LUGS ARE PROVIDED STANDARD AS FOLLOWS:
(6) 1/0 - 750MCM CU/AL CABLE CONNECTIONS.

CABLE NOTES 800-960 AMP SWITCHES

- SUPPLIED WITH STANDARD MECHANICAL (SCREW TYPE) LUGS ON THE NORMAL, EMERGENCY & LOAD BUS STABS. ONE (1) LUG PER PHASE AND NEUTRAL EACH SUITABLE FOR CONNECTION OF FOUR (4) 1/0 -600MCM CU/AL CABLE (SEE NOTE "E" BELOW).
E. SUITABLE WIRE BENDING SPACE IS PROVIDED FOR UP TO FOUR (4) 600MCM CABLES PER TERMINAL PER NEC.
- OPTIONAL COPPER CRIMP LUGS MAY BE SUPPLIED. UP TO THREE (3) TWO HOLE, LONG BARREL CU CRIMP LUGS RATED FOR UP TO 600MCM. (REFER TO CRIMP LUG INSTALLATION DATA PROVIDED WITH UNIT FOR FULL INSTALLATION DETAILS).
D. SUITABLE WIRE BENDING SPACE IS PROVIDED FOR UP TO THREE (3) 600MCM CABLES PER TERMINAL PER NEC.
- GROUND LUGS ARE PROVIDED STANDARD AS FOLLOWS:
(12) 1/0 - 750MCM CU/AL CABLE CONNECTIONS.

A	249926	SM	RN	
		SEE ECN		
	244548	PSB	BK	09/27/13
		NEW ISSUE		

PROJECT NAME:		MOUNTING		REV. TO SHEET	ECN NO.	BY	APP.	DATE
OUTLINE		MOUNTING						
HATB 600A-960A FRONT CONNECTED								
TYPE 3R 96 X 41 X 42								
BY	DATE	MANUFACTURING TOLERANCES TO BE IN ACCORDANCE WITH ASCO PROCEDURE MP-1-003. FOR PLASTIC PARTS SEE MP-1-035		ASSEM. REF. NO.	COMPUTER GENERATED DRAWING			
DRAWN BY	PSB	09/27/13			SCALE 1/16" = 1" SIZE	DS		
CHECKED	BK	09/27/13	PROPERTY OF ASCO POWER TECHNOLOGIES. USE PERMITTED FOR OUR WORK ONLY. ALL RIGHTS OF DESIGN OR INVENTION ARE RESERVED.		DWG. NO.	736939-061		
PROJECT APPROVAL	BK	09/27/13			DRAWING A	ECN NO.	249926	SHEET 1 OF 1
FINAL APPROVAL					ASCO		ASCO POWER TECHNOLOGIES, L.P. FLORHAM PARK, NEW JERSEY 07932 U.S.A.	