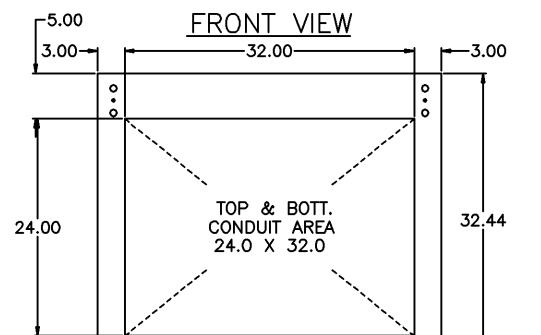
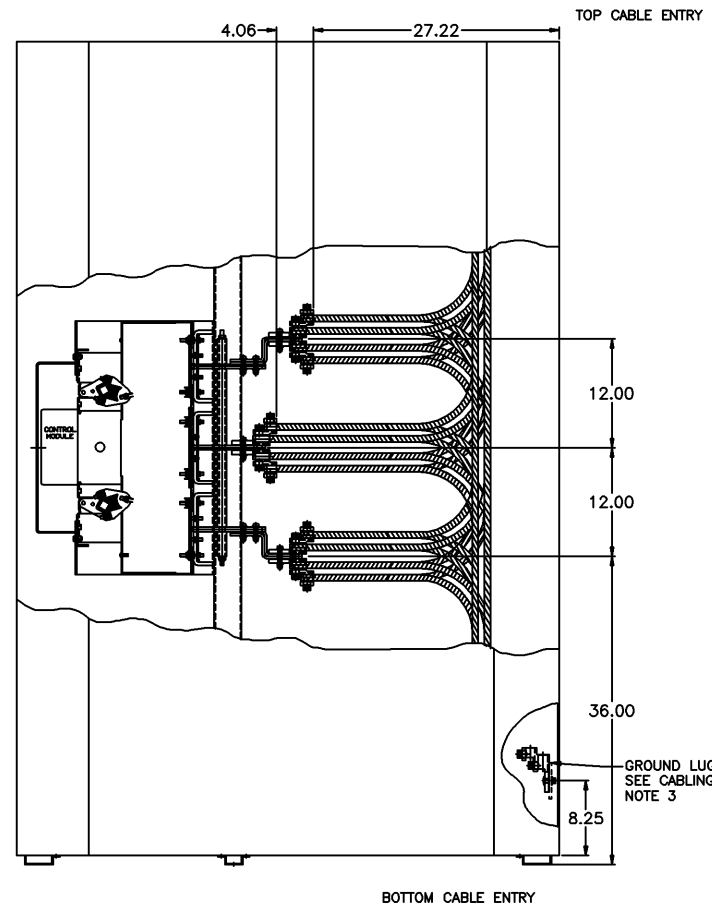
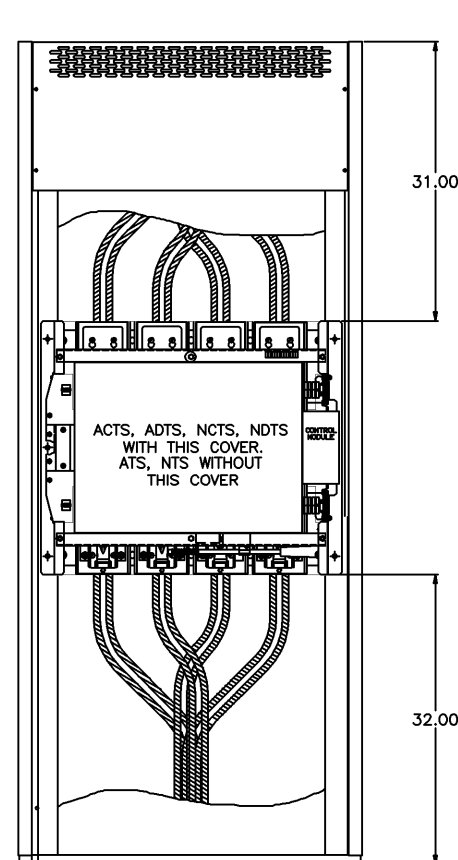
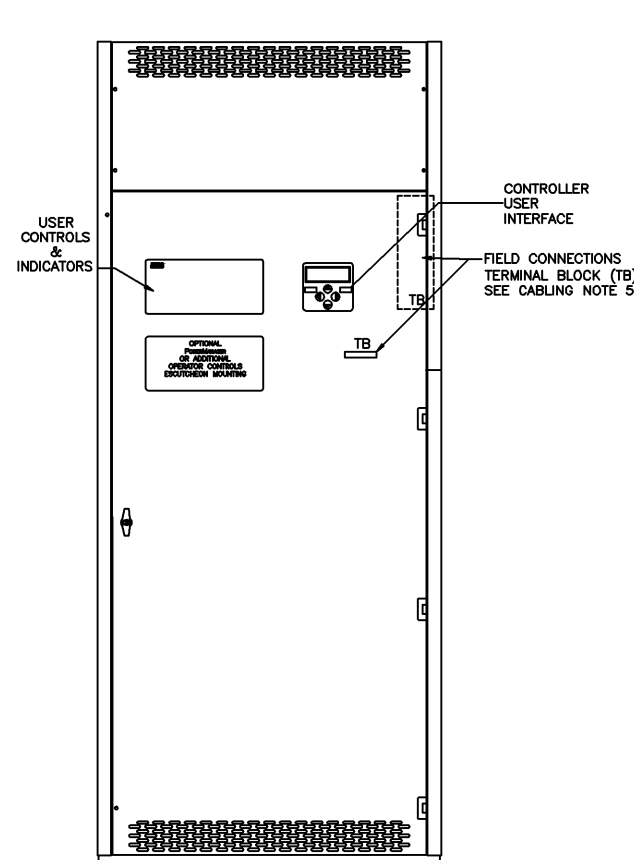
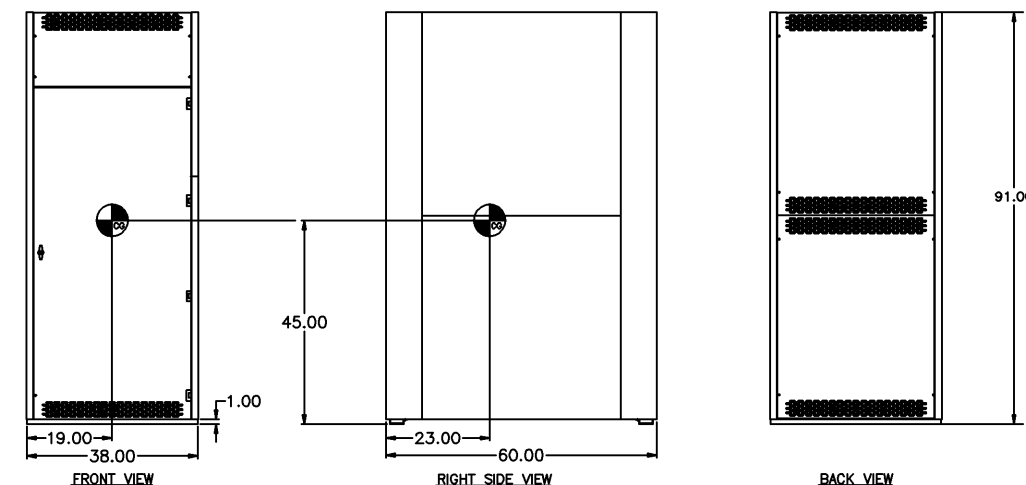
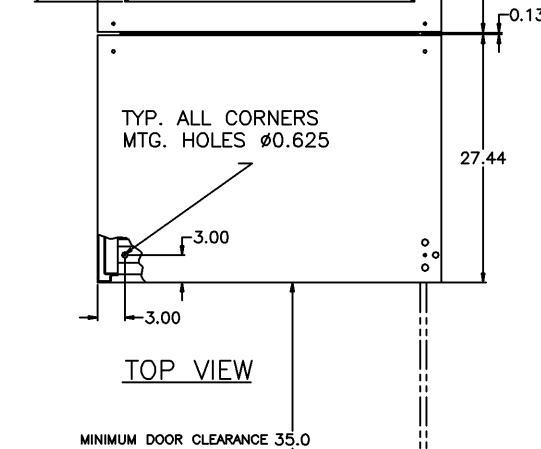


OUTLINE FOR ASCO® 4000 & 7000 SERIES 2600-3000 AMPERE "G" FRAME (ATS,ACTS,ADTS) REAR CONNECTED TRANSFER SWITCHES TYPE 1 ENCLOSURE



FRONT VIEW WITH DOOR REMOVED

RIGHT SIDE VIEW



GENERAL NOTES

- TYPE 1 ENCLOSURE. FREE STANDING. FLOOR MOUNTED. CODE GAUGE FORMED FRAME CONSTRUCTION.
- NEC STANDARD GAUGE PAN TYPE DOOR WITH LOCKABLE HANDLE.
- FINISH: ANSI #1 GRAY POLYESTER POWDER STANDARD. OTHER ANSI COLORS AVAILABLE CONSULT FACTORY UL RECOGNIZED.
- CONSTRUCTION IS IN ACCORDANCE WITH APPLICABLE REQUIREMENTS OF UL 1008.
- RECOMMENDED CLEARANCES: FRONT: 36 INCHES
- A 20% RATED GROUND BUS IS PROVIDED.
- UNIT IS DESIGNED FOR COMBINATION TOP AND BOTTOM CABLE ENTRY. THE STANDARD SWITCH CONFIGURATION IS FOR TOP LUGS EMERGENCY AND LOAD AND BOTTOM LUGS NORMAL. OPTIONALLY, THE SWITCH MAY BE SUPPLIED WITH REVERSE NORMAL & EMERGENCY LUGS. (REFER TO THE WIRING DIAGRAM FURNISHED WITH EACH TRANSFER SWITCH TO DETERMINE TERMINATION POSITIONS).
- NEUTRAL CONFIGURATIONS:
 - AN OPTIONAL FULL RATED NEUTRAL CONFIGURATION FOR EACH SOURCE AND THE LOAD MAY BE PROVIDED. WHEN EQUIPPED IT IS IN ONE OF THE FOLLOWING FORMATS AS SPECIFIED BY THE CATALOG NUMBER NO. NEUTRAL TYPE:
 - (A) SOLID (COPPER BUS) NEUTRAL
 - (B) SWITCHED NEUTRAL POLE
 - (C) OVERLAPPING NEUTRAL POLE (NOT AVAILABLE ON ACTS/ADTS UNITS)
- NO KNOCKOUTS ARE PROVIDED.

| SERIES | CATALOG PREFIX |
|--------|----------------|
| 4000 | 4ATS |
| | 4NTS |
| | 4ACTS |
| | 4NCTS |
| | 4ADTS |
| 7000 | 4NDTS |
| | 7ATS |
| | 7NTS |
| | 7ACTS |
| | 7NCTS |
| | 7ADTS |
| | 7NDTS |

CABLING NOTES

- ALL SIZES SUPPLIED STANDARD WITH MECHANICAL (SCREW TYPE) LUGS. (SEE AMP SIZE BELOW)
 - A. LUG MATERIAL: ALUMINUM ALLOY 6061-T6 WITH ELECTRO TIN PLATED FINISH.
 - B. SCREW MATERIAL: ALUMINUM ALLOY 6262-T9 WITH ELECTRO TIN PLATED FINISH.
 - C. UL LISTED, CSA CERTIFIED.
 - D. LUG SCREW TIGHTENING TORQUE PER UL 486B: 19 FT-LBS.
 - E. SUITABLE WIRE BENDING SPACE IS PROVIDED. (SEE AMP SIZE BELOW)
- OPTIONAL COPPER CRIMP LUGS MAY BE SUPPLIED. (SEE AMP SIZE BELOW)
 - A. LUG MATERIAL: HIGH CONDUCTIVITY WROUGHT COPPER FINISH, ELECTRO TIN PLATED.
 - B. UL LISTED, CSA CERTIFIED.
 - C. LUG MOUNTING HARDWARE TIGHTENING TORQUE: (REFER TO WITHSTAND CURRENT RATING LABEL PROVIDED ON EACH TRANSFER SWITCH).
 - D. SUITABLE WIRE BENDING SPACE IS PROVIDED. (SEE AMP SIZE BELOW)
- CONSULT FACTORY FOR OTHER TERMINATION REQUIREMENTS.
- GROUND LUGS ARE PROVIDED STANDARD AS FOLLOWS. (SEE AMP SIZE BELOW).
 - CUSTOMER TERMINAL BLOCKS:
 - FOR ALL 7000 SERIES UNITS THE TB WILL BE MOUNTED ON THE UPPER RIGHT INSIDE OF ENCLOSURE.
 - FOR 4000 SERIES UNITS TB WILL BE MOUNTED ON THE TRANSFER SWITCH FRAME AS INDICATED.

NOTES 2600-3000 AMPS

- SUPPLIED WITH STANDARD MECHANICAL (SCREW TYPE) LUGS ON THE NORMAL, EMERGENCY & LOAD BUS STABS. TWO (2) LUG PER PHASE AND NEUTRAL EACH SUITABLE FOR CONNECTION OF TWELVE (12) 1/0 - 750CM CU/AL CABLE (SEE NOTE "E" BELOW).
 - A. SUITABLE WIRE BENDING SPACE IS PROVIDED FOR UP TO TWELVE (12) 750CM CABLES PER TERMINAL PER TABLE 373-6(a) OF NFPA 70 OF THE NEC.
- OPTIONAL COPPER CRIMP LUGS MAY BE SUPPLIED. UP TO EIGHT (8) TWO HOLE, LONG BARREL CU CRIMP LUGS RATED FOR UP TO 600CM. (REFER TO CRIMP LUG INSTALLATION DATA PROVIDED WITH UNIT FOR FULL INSTALLATION DETAILS).
 - A. SUITABLE WIRE BENDING SPACE IS PROVIDED FOR UP TO EIGHT (8) 600CM CABLES PER TERMINAL PER TABLE 373-6(b) OF NFPA 70 OF THE NEC.
- GROUND LUGS ARE PROVIDED STANDARD AS FOLLOWS:
 - (36) 1/0 - 750CM CU/AL CABLE

APPROXIMATE SHIPPING WEIGHT, LBS (KG)

| AMP SIZE | POLES | WEIGHTS LB (KG) |
|--------------|-------|-----------------|
| 2600 TO 3000 | 2 | 2000 (908) |
| | B2 | 2150 (976) |
| | C2 | 2150 (976) |
| | 3 | 2150 (976) |
| | B3 | 2230 (1012) |
| | C3 | 2230 (1012) |

| | | | | |
|---|---------|-----|----|----------|
| C | 222765 | WK | BK | 05/08/09 |
| | SEE ECH | | | |
| B | 213355 | TR | WK | 5/11/07 |
| | SEE ECH | | | |
| A | 205275 | AJM | WK | 07/22/05 |
| | ISSUED | | | |
| | 159278 | WK | WK | 11/06/01 |
| | ISSUED | | | |

PROJECT NAME: _____

REV. TO SHEET: _____

EDN NO. _____ BY: _____ APP. _____ DATE: _____

OUTLINE 4000/7000 SERIES,ATS,ACTS,ADTS 2600-3000A.

MANUFACTURING TOLERANCES TO BE IN ACCORDANCE WITH ASCO PROCEDURE MP-1-003. FOR PLASTIC PARTS SEE MP-1-005

ASSEMB. REF. NO. _____

COMPUTER GENERATED DRAWING

SCALE: 1/1 SIZE: DS

NO. 725400

ASCO POWER TECHNOLOGIES, LP. FLOORHAM PARK, NEW JERSEY 07932 U.S.A.

DRAWING C ECH 222765 1 OF 1