

8 7 6 5 4 3 2 1

OUTLINE FOR ASCO 4000 & 7000 SERIES 2600-3000 AMPERE "G" FRAME (ATS,ACTS,ADTS) REAR CONNECTED TRANSFER SWITCHES TYPE 3R SECURE ENCLOSURE

GENERAL NOTES

- TYPE 3R RAINPROOF ENCLOSURE. FREE STANDING. FLOOR MOUNTED. CODE GAUGE FORMED FRAME CONSTRUCTION.
- NEC STANDARD GAUGE PAN TYPE DOOR WITH LOCKABLE HANDLE.
- FINISH: ANSI 61 GRAY, POLYESTER POWDER STANDARD. OTHER ANSI COLORS AVAILABLE CONSULT FACTORY UL RECOGNIZED.
- CONSTRUCTION IS IN ACCORDANCE WITH APPLICABLE REQUIREMENTS OF UL 891.
- RECOMMENDED CLEARANCES:
FRONT: 36 INCHES
REAR: 30 INCHES
- A 20% RATED GROUND BUS IS PROVIDED AT THE REAR OF THE ENCLOSURE.
- UNIT IS DESIGNED FOR BOTTOM CABLE ENTRY ONLY. THE STANDARD SWITCH CONFIGURATION IS FOR TOP LUGS EMERGENCY CENTER LUGS LOAD AND BOTTOM LUGS NORMAL. OPTIONALLY, THE SWITCH MAY BE SUPPLIED WITH REVERSE NORMAL & EMERGENCY. (REFER TO THE WIRING DIAGRAM FURNISHED WITH EACH TRANSFER SWITCH TO DETERMINE TERMINATION POSITIONS).
- NEUTRAL CONFIGURATIONS:
AN OPTIONAL FULL RATED NEUTRAL CONFIGURATION FOR EACH SOURCE AND THE LOAD MAY BE PROVIDED. WHEN EQUIPPED IT IS IN ONE OF THE FOLLOWING FORMATS AS SPECIFIED BY THE CATALOG NUMBER NO. NEUTRAL TYPE:
(A) SOLID (COPPER BUS) NEUTRAL
(B) SWITCHED NEUTRAL POLE
(C) OVERLAPPING NEUTRAL POLE (NOT AVAILABLE ON ACTS/ADTS UNITS)
- NO KNOCKOUTS ARE PROVIDED.
- EXTERIOR VENTS ARE SUPPLIED WITH POLYESTER DUST FILTERS.

SERIES	CATALOG PREFIX
4000	4ATS
	4NTS
	4ACTS
	4NCTS
	4ADTS
7000	4NDTS
	7ATS
	7NTS
	7ACTS
	7NCTS
	7ADTS
	7NDTS

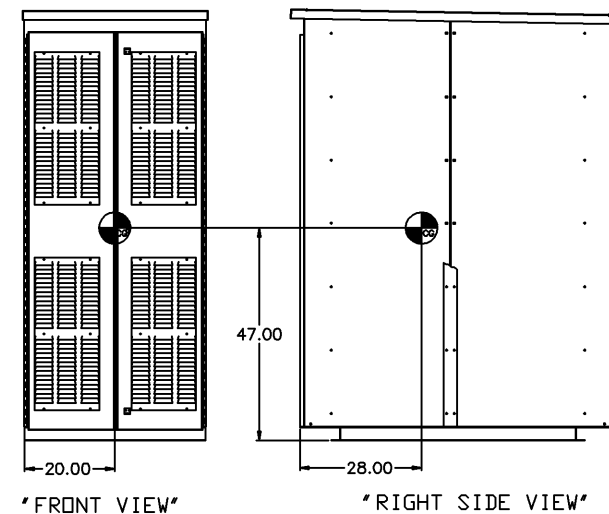
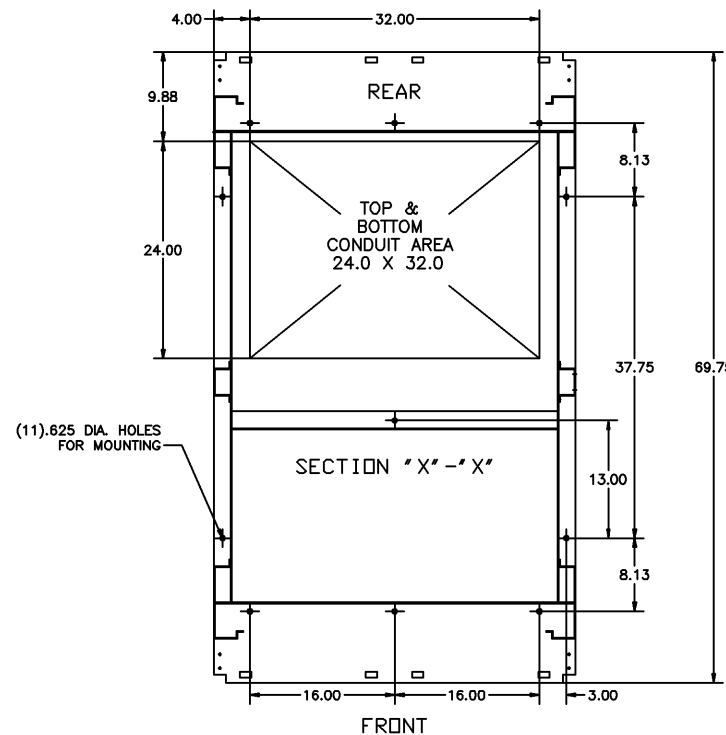
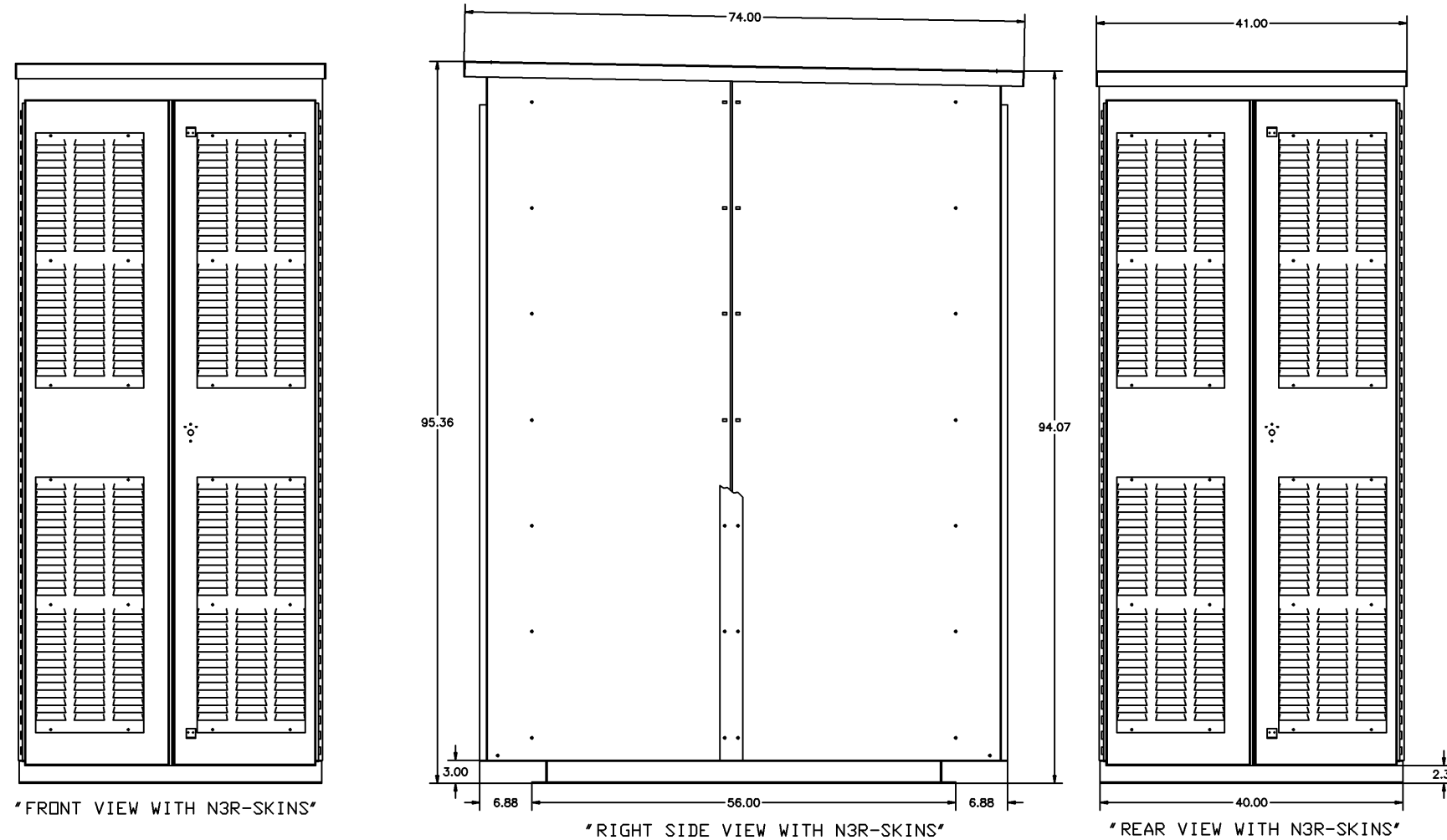
CABLING NOTES

- ALL SIZES SUPPLIED STANDARD WITH MECHANICAL (SCREW TYPE) LUGS. (SEE AMP SIZE BELOW)
A. LUG MATERIAL: ALUMINUM ALLOY 6061-T6 WITH ELECTRO TIN PLATED FINISH.
B. SCREW MATERIAL: ALUMINUM ALLOY 6262-T9 WITH ELECTRO TIN PLATED FINISH.
C. UL LISTED, CSA CERTIFIED.
D. LUG SCREW TIGHTENING TORQUE PER UL 486B: 19 FT-LBS.
E. SUITABLE WIRE BENDING SPACE IS PROVIDED. (SEE AMP SIZE BELOW)
- OPTIONAL COPPER CRIMP LUGS MAY BE SUPPLIED. (SEE AMP SIZE BELOW)
A. LUG MATERIAL: HIGH CONDUCTIVITY WROUGHT COPPER FINISH, ELECTRO TIN PLATED.
B. UL LISTED, CSA CERTIFIED.
C. LUG MOUNTING HARDWARE TIGHTENING TORQUE: (REFER TO WITHSTAND CURRENT RATING LABEL PROVIDED ON EACH TRANSFER SWITCH).
D. SUITABLE WIRE BENDING SPACE IS PROVIDED. (SEE AMP SIZE BELOW)
- CONSULT FACTORY FOR OTHER TERMINATION REQUIREMENTS.
- GROUND LUGS ARE PROVIDED STANDARD AS FOLLOWS. (SEE AMP SIZE BELOW).
CUSTOMER TERMINAL BLOCKS:
FOR ALL 7000 SERIES UNITS THE TB WILL BE MOUNTED ON THE UPPER RIGHT INSIDE OF ENCLOSURE. FOR 4000 SERIES UNITS TB WILL BE MOUNTED ON THE TRANSFER SWITCH FRAME AS INDICATED.

NOTES 2600-3000 AMPS

- SUPPLIED WITH STANDARD MECHANICAL (SCREW TYPE) LUGS ON THE NORMAL, EMERGENCY & LOAD BUS STABS. TWO (2) LUG PER PHASE AND NEUTRAL EACH SUITABLE FOR CONNECTION OF TWELVE (12) 1/0 - 750MCM CU/AL CABLE (SEE NOTE "E" BELOW).
A. SUITABLE WIRE BENDING SPACE IS PROVIDED FOR UP TO TWELVE (12) 750MCM CABLES PER TERMINAL PER TABLE 373-6(g) OF NFPA 70 OF THE NEC.
- OPTIONAL COPPER CRIMP LUGS MAY BE SUPPLIED. UP TO EIGHT (8) TWO HOLE, LONG BARREL CU CRIMP LUGS RATED FOR UP TO 600MCM. (REFER TO CRIMP LUG INSTALLATION DATA PROVIDED WITH UNIT FOR FULL INSTALLATION DETAILS).
A. SUITABLE WIRE BENDING SPACE IS PROVIDED FOR UP TO EIGHT (8) 600MCM CABLES PER TERMINAL PER TABLE 373-6(b) OF NFPA 70 OF THE NEC.
- GROUND LUGS ARE PROVIDED STANDARD AS FOLLOWS;
(36) 1/0 - 750MCM CU/AL CABLE

AMP SIZE	POLES	WEIGHTS LB (KG)
2600 TO 3000	2	2000 (908)
	B2	2150 (976)
	C2	2150 (976)
	3	2150 (976)
	B3	2230 (1012)
	C3	2230 (1012)



C	231920	LK	RN	05/06/11
	SEE ECH			
B	222765	KH	WK	05/06/09
	SEE ECH			
A	205275	AJM	WK	07/22/05
	ISSUED			
-	159278	WK	WK	11/06/01
	ISSUED			

PROJECT NAME: **OUTLINE 4000/7000 SERIES**

REV. TO SHEET

EDN NO. BY APP. DATE

MANUFACTURING TOLERANCES TO BE IN ACCORDANCE WITH ASCO PROCEDURE MP-1-003. FOR PLASTIC PARTS SEE MP-1-005

ASSEMB. REF. NO.

COMPUTER GENERATED DRAWING

SCALE: 1:1 SIZE: DS

DWG. NO. **725400-003**

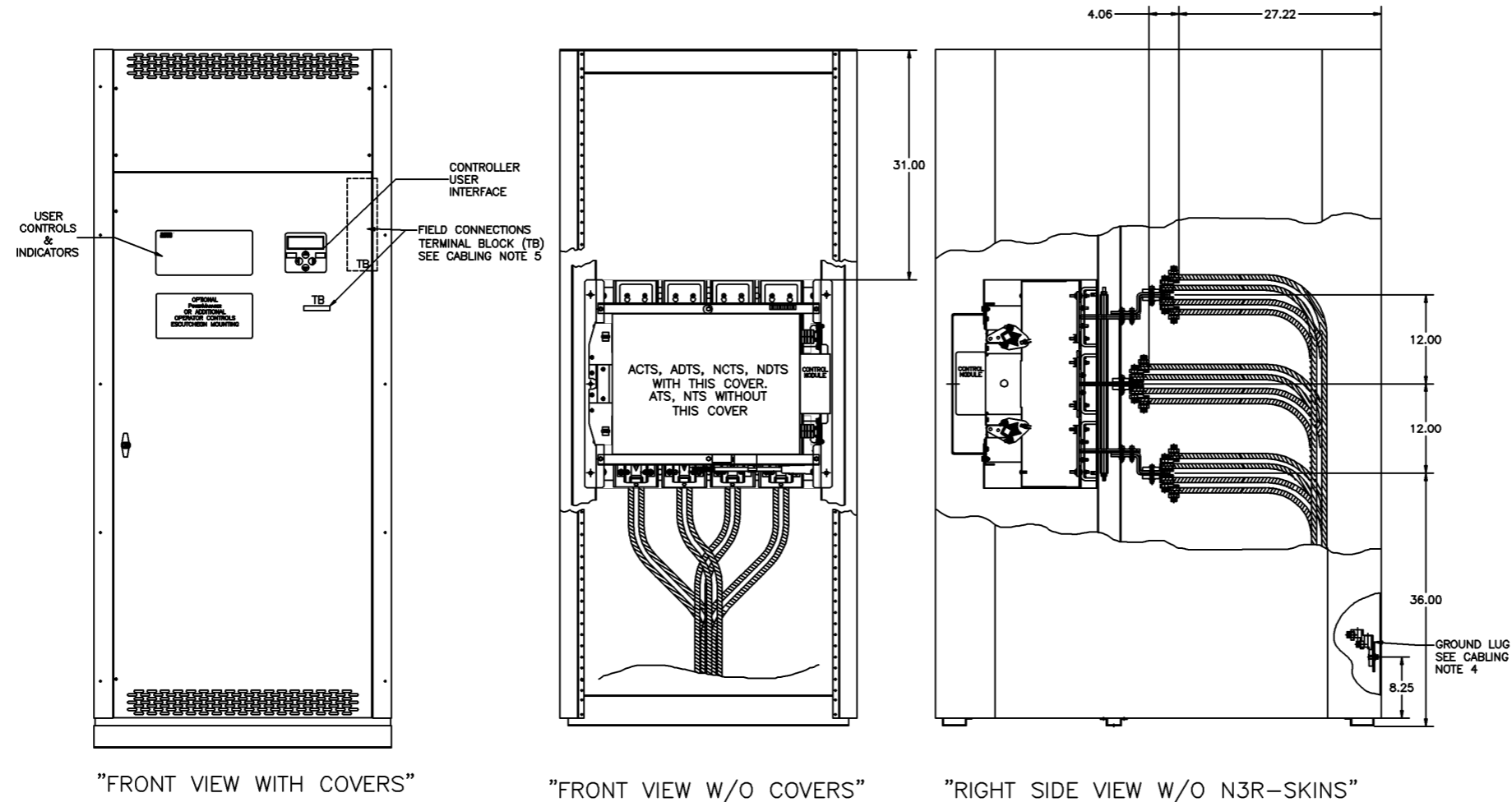
725400-003

ASC POWER TECHNOLOGIES, LP. FLOORHAM PARK, NEW JERSEY 07932 U.S.A.

REV. C ECH. NO. 231920 SHEET 1 OF 2

8 7 6 5 4 3 2 1

OUTLINE FOR ASCO® 4000 & 7000 SERIES 2600-3000 AMPERE "G" FRAME (ATS,ACTS,ADTS) REAR CONNECTED TRANSFER SWITCHES TYPE 3R SECURE ENCLOSURE



C	231920	LK	RN	05/06/11
	SEE ECN			
B	222765	KH	WK	05/06/09
	SEE ECN			
A	205275	AJM	WK	07/22/05
	ISSUED			
-	159278	WK	WK	11/06/01
	ISSUED			

PROJECT NAME:		REV. TO SHEET	EDN NO.	BY	APP.	DATE
OUTLINE						
4000/7000 SERIES						
DRAWN BY	DJB	DATE	11/06/01	MANUFACTURING TOLERANCES TO BE IN ACCORDANCE WITH ASCO PROCEDURE MP-1-003. FOR PLASTIC PARTS SEE MP-1-055	ASSEM. REF. NO.	COMPUTER GENERATED DRAWING
CHECKED	BK	DATE	11/06/01	PROPERTY OF ASCO POWER TECHNOLOGIES. USE PERMITTED FOR OUR WORK ONLY. ALL RIGHTS OF DESIGN OR INVENTION ARE RESERVED.		SCALE 1:1 SIZE DS
TRUSTEE APPROVAL	WK	DATE	11/06/01			DWG. NO. 725400-003
FINAL APPROVAL						DRAWING C ECN NO. 231920 SHEET 2 OF 2
				ASCO POWER TECHNOLOGIES, LP. FLORENCE PARK, NEW JERSEY 07832 U.S.A.		