

OUTLINE FOR ASCO® 4000 & 7000 SERIES 30-230 AMPERE "D" FRAME TRANSFER SWITCH OPEN TYPE

SERIES	CATALOG PREFIX
4000	4ATS 4NTS
7000	7ATS 7NTS

GENERAL NOTES

- THE STANDARD SWITCH CONFIGURATION IS FOR TOP EMERGENCY & LOAD AND BOTTOM NORMAL. OPTIONALLY, THE SWITCH MAY BE SUPPLIED WITH REVERSE SOURCES. (REFER TO THE WIRING DIAGRAM FURNISHED WITH EACH TRANSFER SWITCH TO DETERMINE TERMINATION POSITIONS).
- NEUTRAL CONFIGURATIONS:
AN OPTIONAL FULL RATED NEUTRAL CONFIGURATION FOR EACH SOURCE AND THE LOAD MAY BE PROVIDED. WHEN EQUIPPED IT IS IN ONE OF THE FOLLOWING FORMATS AS SPECIFIED BY THE CATALOG NUMBER NO. NEUTRAL TYPE:
(A) SOLID (COPPER BUS) NEUTRAL
(B) SWITCHED NEUTRAL POLE
(C) OVERLAPPING NEUTRAL POLE
- THE STANDARD MECHANICAL (SCREW TYPE) AL/CU TERMINAL LUGS ARE SHOWN FOR REFERENCE.
- SWITCH NEUTRAL POLE IS SHOWN FOR REFERENCE.
- WHEN INSTALLING CONDUCTORS, CONNECT TO SIMILARLY MARKED PHASES OF NORMAL, EMERGENCY & LOAD.
- ALL INTERNAL CONNECTIONS ARE MADE AT FACTORY.
- MAINTAIN ELECTRICAL CLEARANCE OF .50" (12.7 mm) BETWEEN LIVE METAL PARTS AND GROUNDED METAL.
- WHEN MOUNTING THE TRANSFER SWITCH IN AN ENCLOSURE, MOUNT THE TRANSFER SWITCH UNIT ON THE INSIDE BACK SURFACE OF THE ENCLOSURE. THE CONTROL(S) PANEL AND OPERATOR CONTROLS SHOULD BE MOUNTED ON THE INSIDE, REAR SURFACE OF THE DOOR. A MINIMUM DEPTH OF 6.00" (152.4mm) IS REQUIRED BETWEEN THE TRANSFER SWITCH AND THE CONTROLS WHEN THE DOOR IS CLOSED.
- THE CONTROL PANEL(S) IS CONNECTED TO THE TRANSFER SWITCH BY A HARNESS WITH A QUICK DISCONNECT PLUG(S). THE HARNESS EXITS THE TRANSFER SWITCH ON THE RIGHT SIDE. CONSULT FACTORY FOR EXTENSION HARNESSES.
- FOR TYPE 1 ENCLOSURE SEE DETAIL A -1 AND DETAIL B -1 FOR CUTOUT DATA. FOR TYPE 3R, 4, & 12 ENCLOSURE SEE DETAIL A -2 AND DETAIL B -2 FOR CUTOUT DATA. GASKETS ARE PROVIDED FOR TYPE 3R, 4, & 12 ENCLOSURES. A BEZEL FOR THE CONTROL PANEL IS ALSO PROVIDED FOR TYPE 3R, 4, & 12 ENCLOSURES.
- AN OPERATOR'S MANUAL IS FURNISHED WITH EACH AUTOMATIC TRANSFER SWITCH. REFER TO THIS PUBLICATION PRIOR TO INSTALLATION AND OPERATION OF THE SWITCH.
- WHEN OPTIONAL OVERLAPPING NEUTRAL IS SUPPLIED THE CONTACTS ON THE OVERLAPPING NEUTRAL ARE REVERSED, NORMAL ON TOP, EMERGENCY AT BOTTOM.

MINIMUM REQUIRED ENCLOSURE SIZE IN (mm)

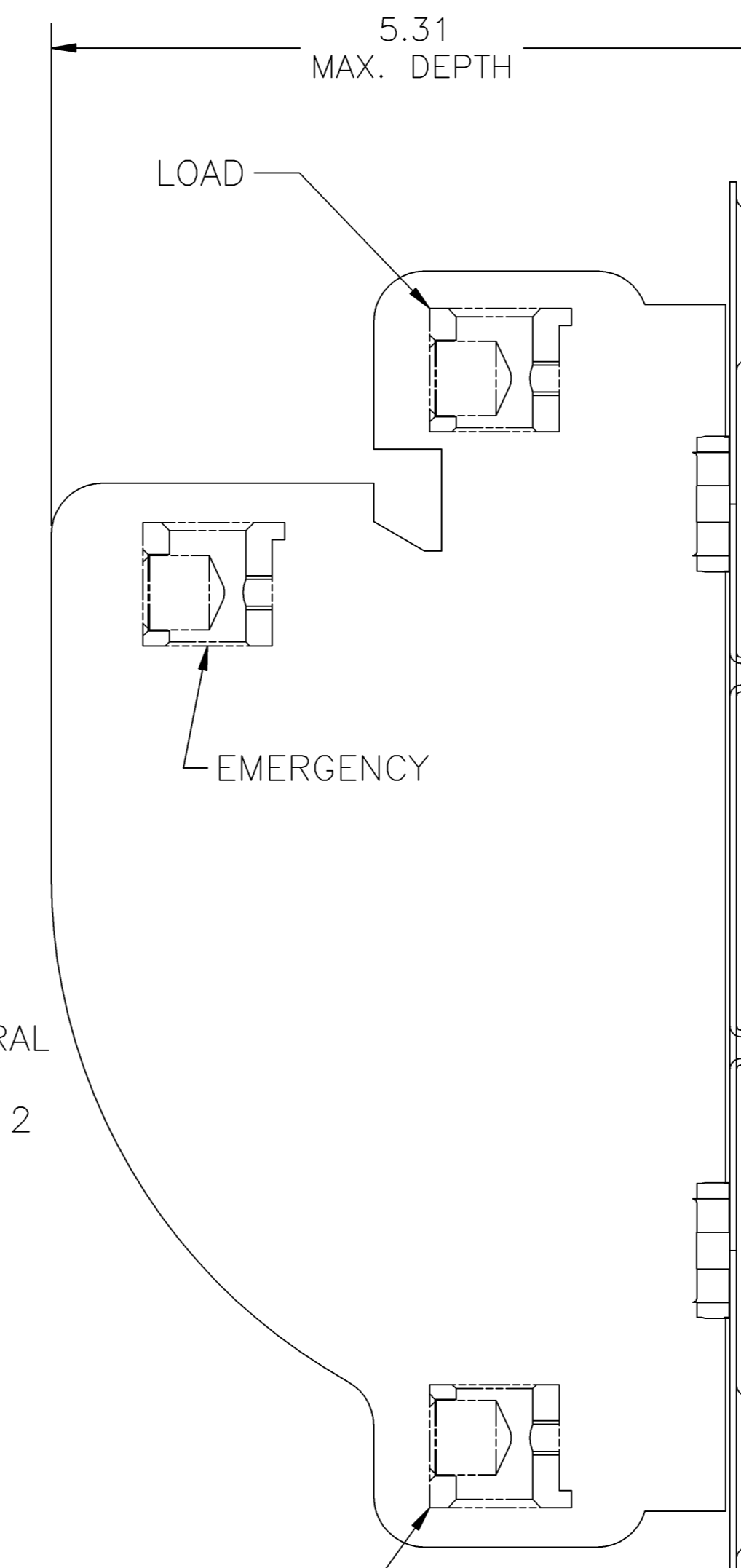
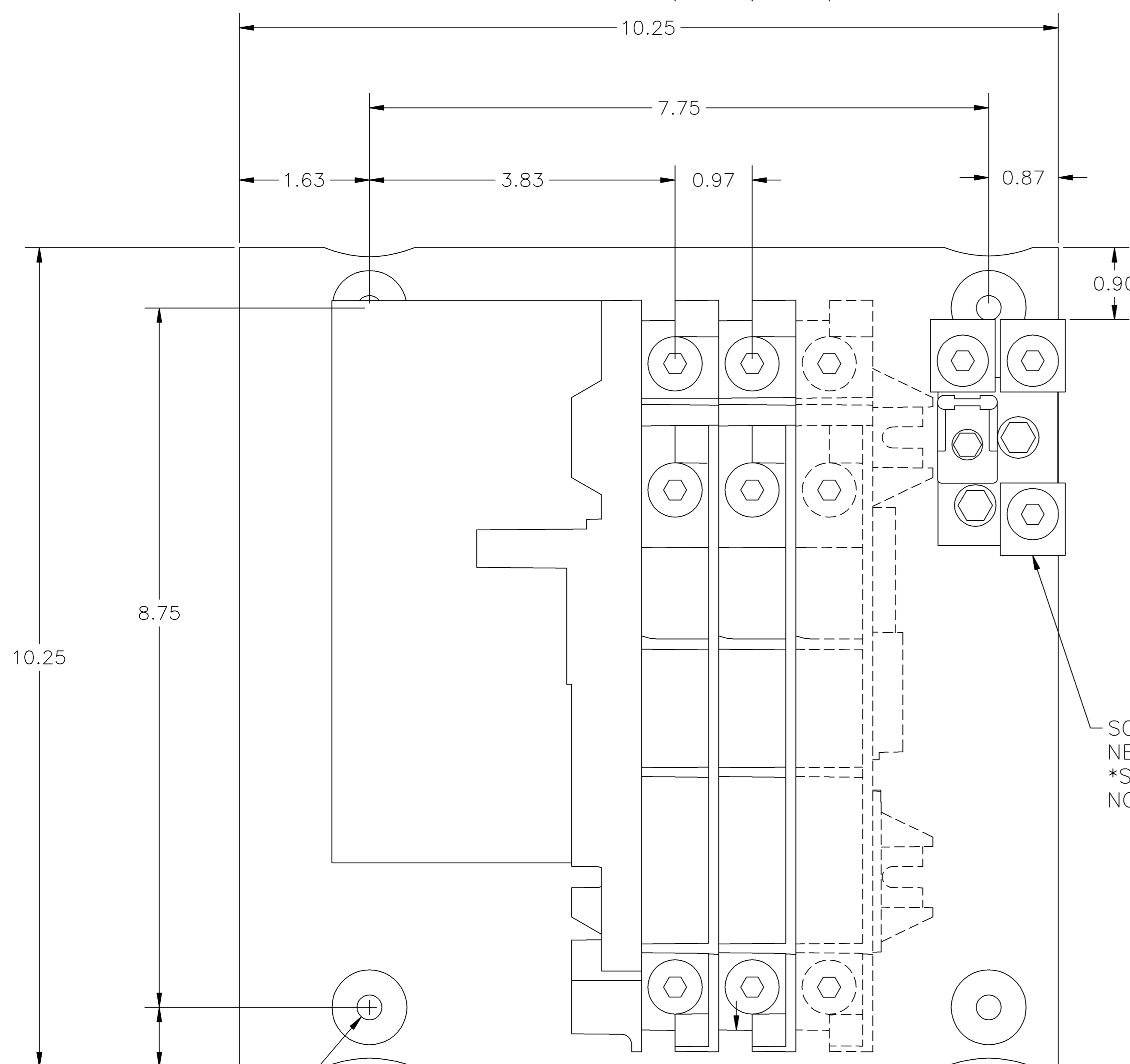
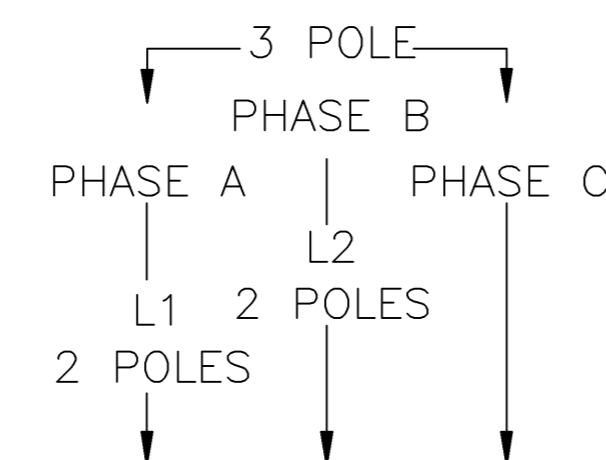
SWITCH RATING (AMPS)	HEIGHT	WIDTH	DEPTH
30-200 AMPS	31.00 (787,4)	17.50 (444,5)	11.63 (295,4)
230 AMPS	48.00 (1219,2)	18.00 (457,2)	13.00 (330,2)

APPROXIMATE SHIPPING WEIGHT, LBS (KG) (WEIGHT INCLUDES STANDARD TRANSFER SWITCH & CONTROLS)

AMP SIZE	POLES	WEIGHT
30-230	2	17 (8)
	3	20 (9)
	3 W/ NEUTRAL POLE	23 (11)

SUGGESTED BOLT SIZE FOR MOUNTING A.T.S.: 1/4-20 X 1 INCH LONG MINIMUM QUANTITY (4)

SWITCH RATING (AMPS)	RANGE OF WIRE
30-150	(1) #14 TO 4/0 AWG AL-CU WIRE
200-230	(1) #14 TO 4/0 AWG COPPER WIRE



SOLID NEUTRAL
*SEE NOTE 2

*SOLID NEUTRAL NOT SHOWN

Ø.312 MOUNTING HOLE DIA.

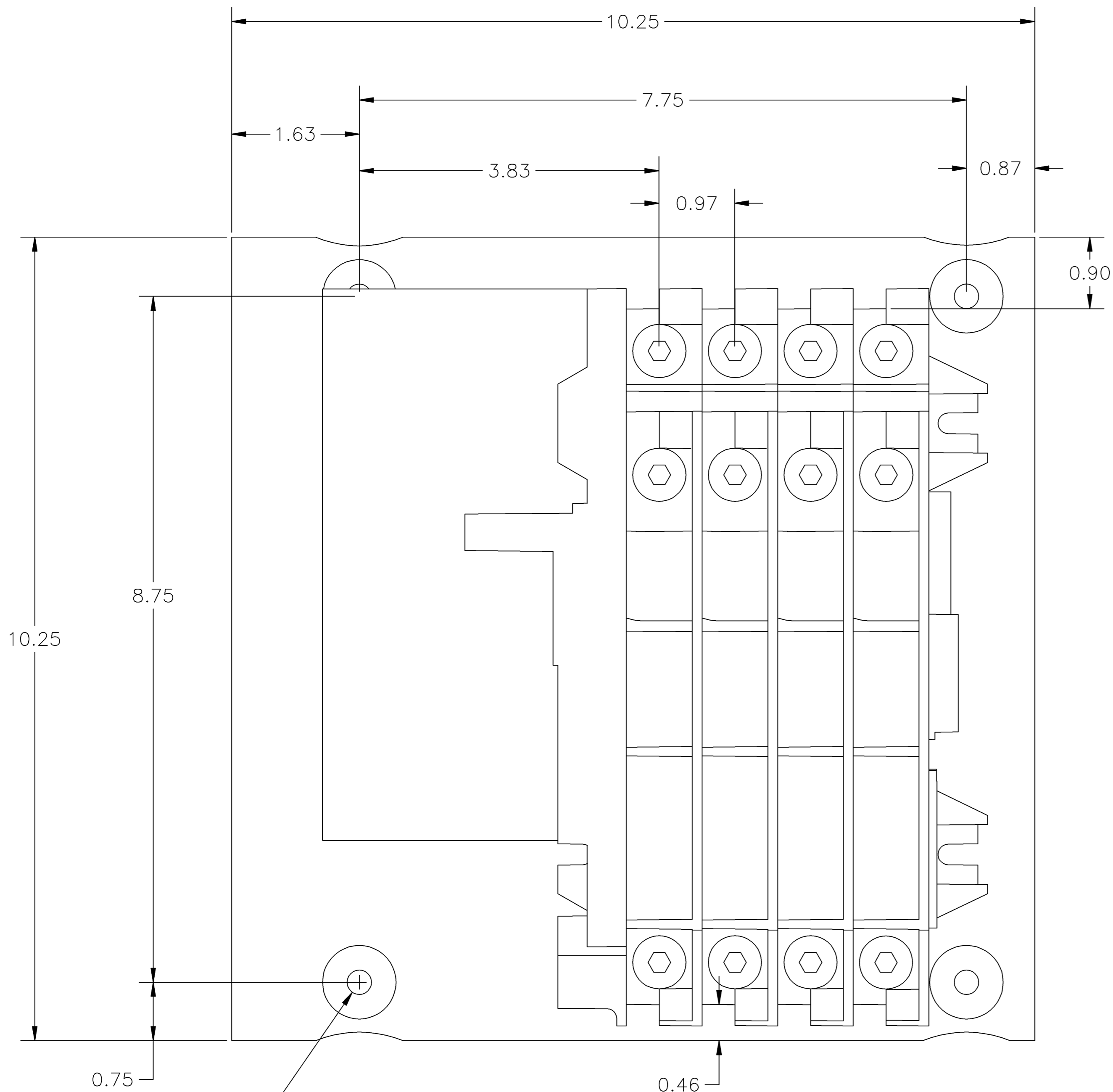
C	231176	BWM/BWM	3/17/11
	UPDATE NOTE 1		
B	204927	AJM/WK	07/01/05
	SEE ECN		
A	164540	BWM/SDH	8/03
	ADD 230A		
	161185	BWM/WK	7/02
	ISSUED		

PROJECT NAME:		REV. TO SHEET	ECN NO.	BY	APP.	DATE
OUTLINE						
4000/7000 SERIES						
DRAWN BY	BY	DATE	MANUFACTURING TOLERANCES TO BE IN ACCORDANCE WITH ASCO PROCEDURE MP-1-003. FOR PLASTIC PARTS SEE MP-1-055		ASSEM. REF. NO.	COMPUTER GENERATED DRAWING
CHECKED	BWM	7/02	PROPERTY OF ASCO POWER TECHNOLOGIES. USE PERMITTED FOR OUR WORK ONLY. ALL RIGHTS OF DESIGN OR INVENTION ARE RESERVED.			SCALE
PROJECT APPROVAL						SIZE DS
FINAL APPROVAL	WK	7/02				DWG. NO.
						719687-001
						DRAWING C
						ECN 231176
						SHEET
						1 OF 3

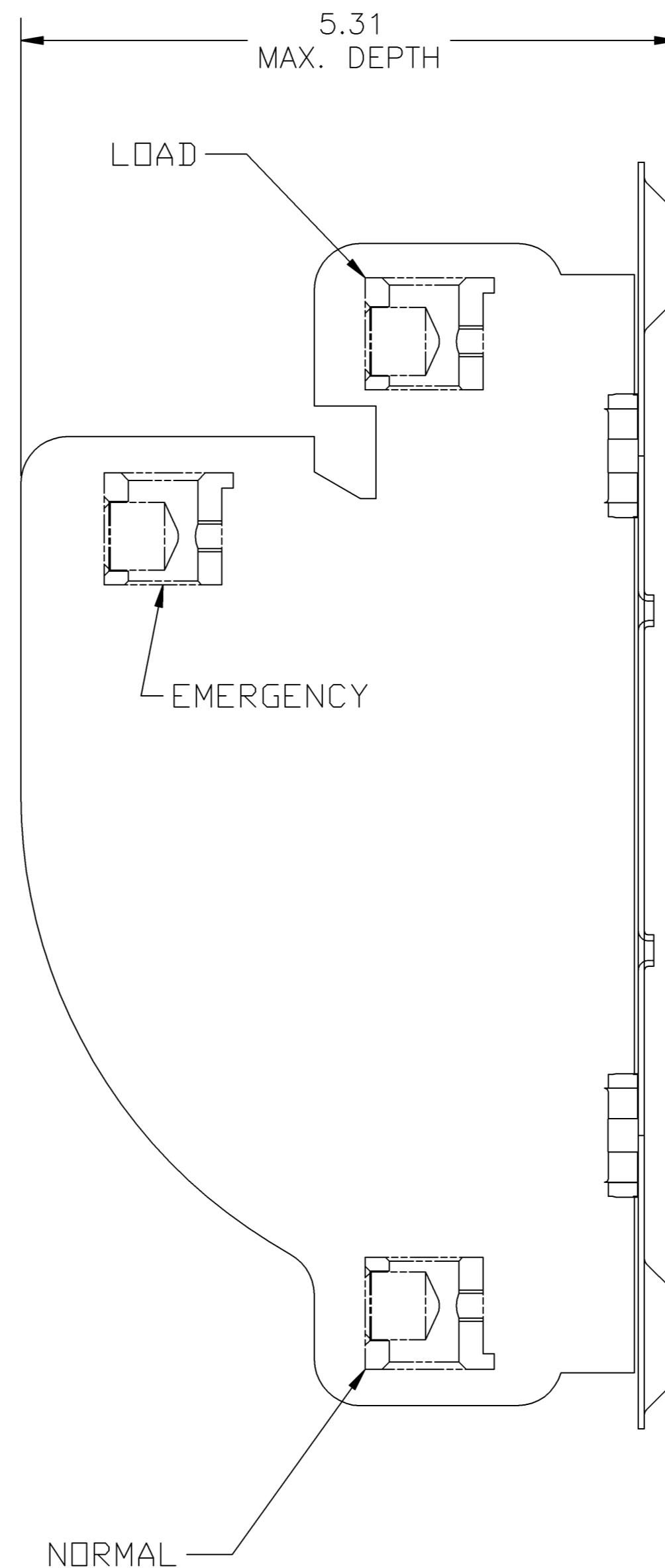
ASCO ASCO POWER TECHNOLOGIES, L.P.
FLORHAM PARK, NEW JERSEY 07932 U.S.A.

OUTLINE FOR **ASCO** 4000 & 7000 SERIES 30-230 AMPERE "D" FRAME TRANSFER SWITCH OPEN TYPE

3 POLE
 PHASE A PHASE B PHASE C
 NEUTRAL SWITCHED OR OVERLAPPING
 (REFER TO NOTE 12)



(FRONT VIEW)



(SIDE VIEW)

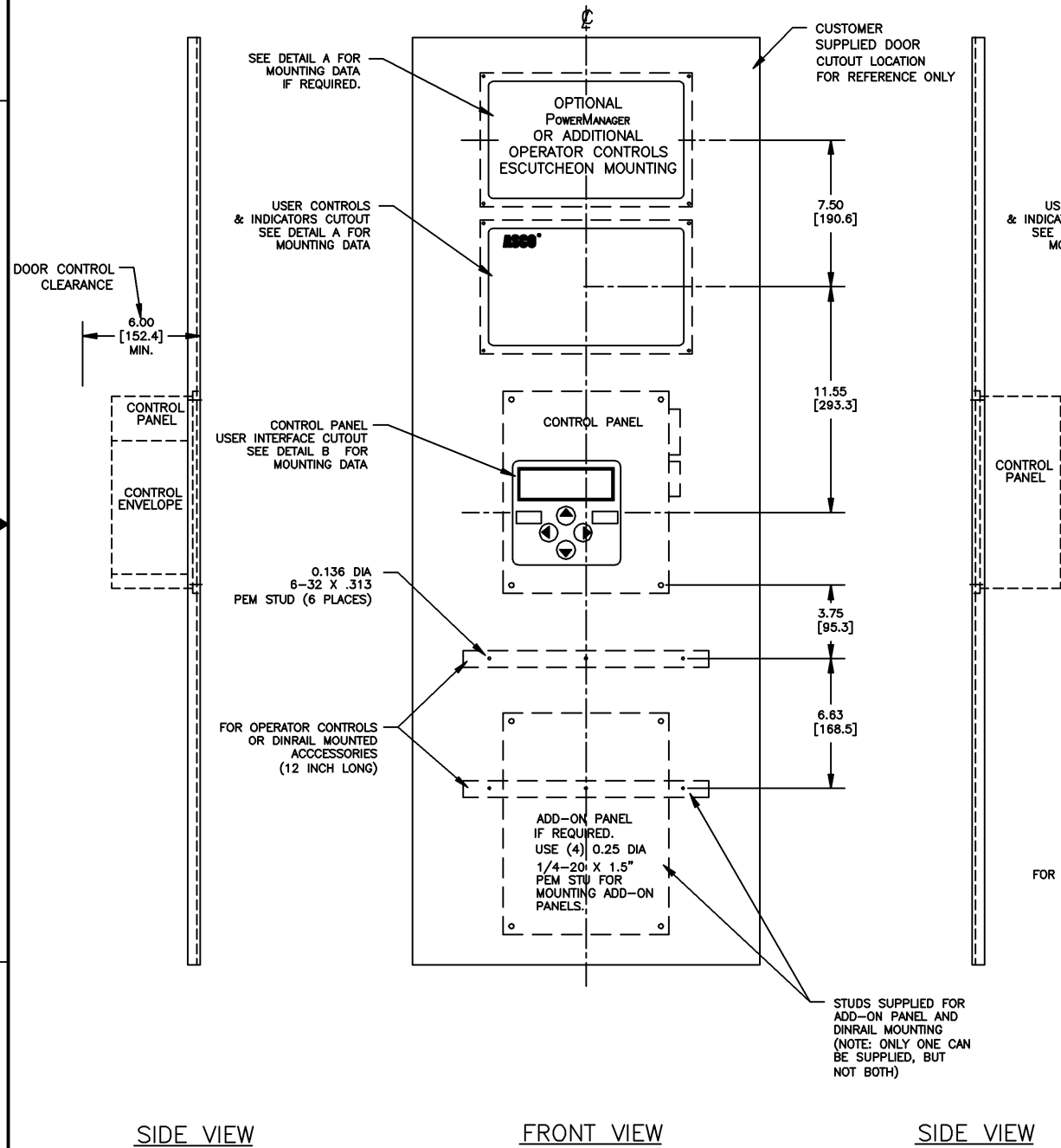
C	231176	BWM/BWM	3/17/11
	UPDATE NOTE 1		
B	204927	AJM/WK	07/01/05
	SEE ECN		
A	164540	BWM/SDH	8/03
	ADD 230A		
-	161185	BWM/WK	7/02
	ISSUED		

PROJECT NAME:				REV. TO SHEET	ECN NO.	BY	APP.	DATE
OUTLINE								
4000/7000 SERIES								
DRAWN BY BWM				DATE 7/02				MANUFACTURING TOLERANCES TO BE IN ACCORDANCE WITH ASCO PROCEDURE MP-I-003. FOR PLASTIC PARTS SEE MP-I-055.
CHECKED				DATE				ASSEM. REF. NO.
PROJECT APPROVAL				DATE				COMPUTER GENERATED DRAWING
FINAL APPROVAL				DATE 7/02				SCALE SIZE DS
ASCO				ASCO POWER TECHNOLOGIES, L.P.				DWC. NO. 719687-001
FLORHAM PARK, NEW JERSEY 07932 U.S.A.				DRAWING C				ECON. NO. 231176
								SHEET 2 OF 3

OUTLINE FOR ASCO 4000 & 7000 SERIES 30-230 AMPERE "D" FRAME TRANSFER SWITCH OPEN TYPE

D
C
B
A

CONTROL PANEL & CONTROLS MOUNTING

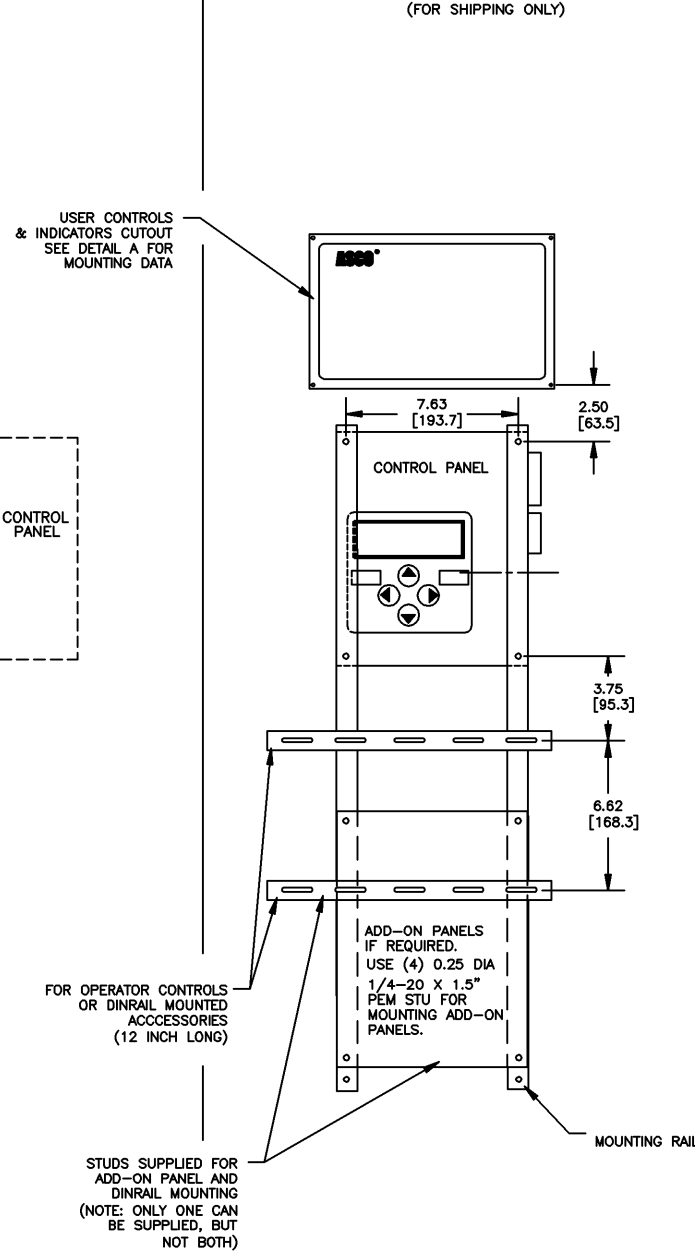


SIDE VIEW

FRONT VIEW

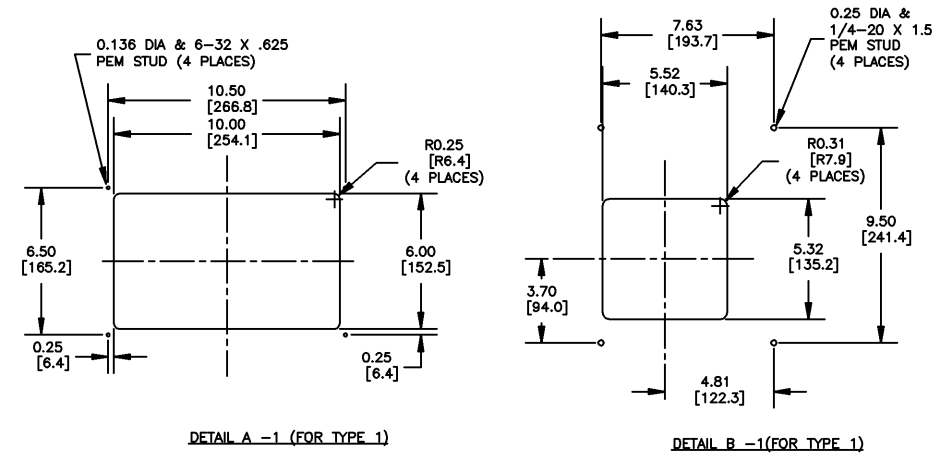
SIDE VIEW

DEVICES ON MOUNTING RAILS (FOR SHIPPING ONLY)



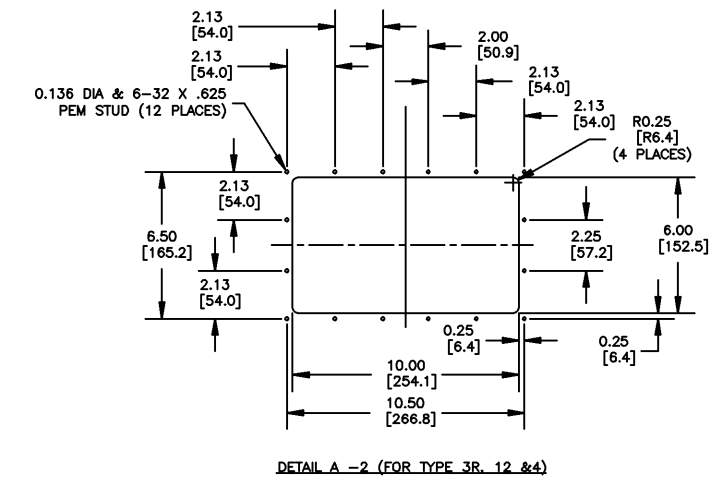
STUDS SUPPLIED FOR ADD-ON PANEL AND DINRAIL MOUNTING (NOTE: ONLY ONE CAN BE SUPPLIED, BUT NOT BOTH)

CONTROL PANEL & CONTROLS MOUNTING DATA

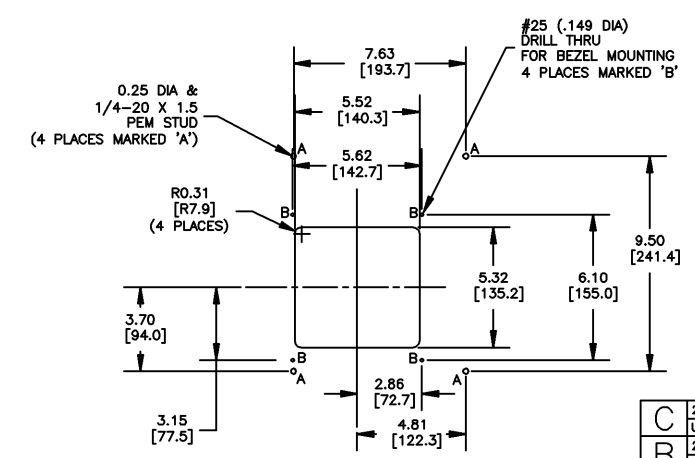


DETAIL A -1 (FOR TYPE 1)

DETAIL B -1 (FOR TYPE 1)



DETAIL A -2 (FOR TYPE 3R, 12 & 4)



DETAIL B -2 (FOR TYPE 3R, 12 & 4)

C	231176	BWM/BWM	3/17/11
B	204927	AJM/WK	07/01/09
A	164540	BWM/SDH	8/03
	161185	BWM/WK	7/02

PROJECT NAME:		REV. TO SHEET	EDN NO.	BY	APP.	DATE
OUTLINE						
4000/7000 SERIES						
DRAWN BY	DATE	MANUFACTURING TOLERANCES TO BE IN ACCORDANCE WITH ASCO PROCEDURE MP-1-003. FOR PLASTIC PARTS SEE MP-1-005		ASSEM. REF. NO.		COMPUTER GENERATED DRAWING
CHECKED	7/02	PROPERTY OF ASCO POWER TECHNOLOGIES. USE PERMITTED FOR OUR WORK ONLY. ALL RIGHTS OF DESIGN OR INVENTION ARE RESERVED.		SCALE		SIZE DS
APPROVAL				DWG. NO.		719687-001
FINAL APPROVAL	WK 7/02	ASCO POWER TECHNOLOGIES, LP.		DRAWING C		REV. 3 OF 3

D
C
B
A