

OUTLINE FOR ASCO 7000 SERIES 30-230 AMPERE "D" FRAME TRANSFER SWITCHES TYPE 1 ENCLOSURE

GENERAL NOTES

1. TYPE 1 WALL MOUNTED ENCLOSURE.
2. STANDARD FINISH - LIGHT GREY, ANSI 61.
3. KEY LOCKABLE HANDLE.
4. REMOVABLE SINGLE DOOR
5. TERMINALS - SCREW TYPE LUGS FOR EXTERNAL POWER CONNECTIONS.
6. = CENTER OF GRAVITY.
7. THREE POLE SWITCH WITH SOLID NEUTRAL SHOWN FOR REFERENCE.
8. NEUTRAL CONFIGURATIONS:

| SERIES | CATALOG PREFIX |
|--------|----------------|
| 7000 | 7ATS 7MTS |

AN OPTIONAL FULL RATED NEUTRAL CONFIGURATION FOR EACH SOURCE AND THE LOAD MAY BE PROVIDED. WHEN EQUIPPED IT IS IN ONE OF THE FOLLOWING FORMATS AS SPECIFIED BY THE CATALOG NUMBER NO. NEUTRAL TYPE:

- (A) SOLID (COPPER BUS) NEUTRAL
- (B) SWITCHED NEUTRAL POLE
- (C) OVERLAPPING NEUTRAL POLE (SEE NOTICE)

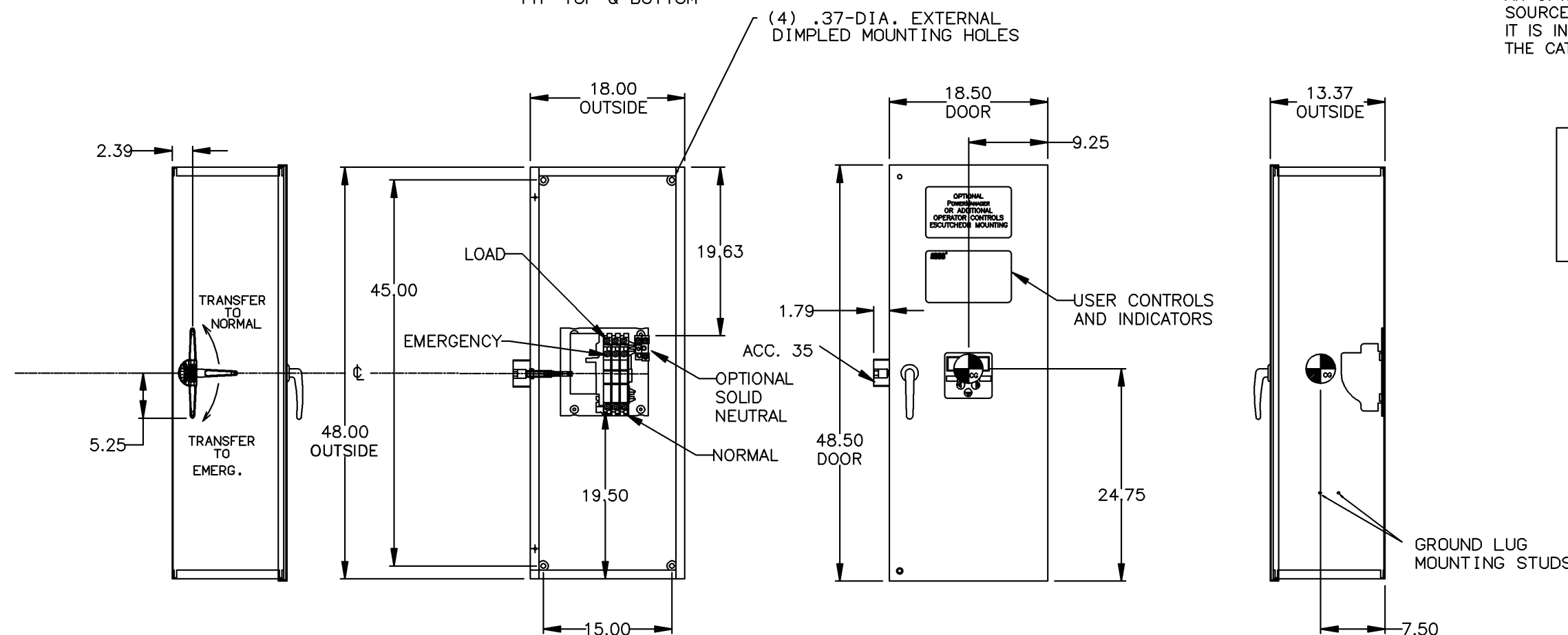
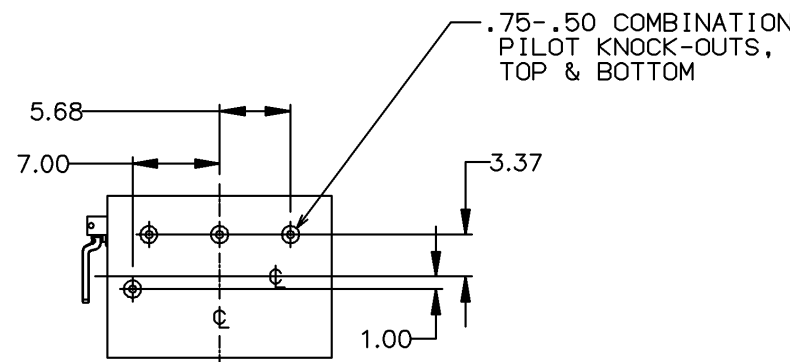
NOTICE:

When an overlapping switched neutral assembly is provided, the normal and emergency source neutral terminations are physically reversed from those of the normal and emergency source phase terminations. Locate the neutral termination markings and review the wiring diagram before connecting the neutral conductors

| SWITCH RATING (AMPS) | RANGE OF WIRE |
|----------------------|--------------------------------|
| 30-150 | (1) #14 TO 4/0 AWG AL-CU WIRE |
| 200-230 | (1) #14 TO 4/0 AWG COPPER WIRE |

APPROXIMATE SHIPPING WEIGHT, LBS (KG)

| AMP SIZE | POLES | WEIGHT |
|----------|-------|---------|
| 30-230 | 2 | 69 (32) |
| | B2 | 72 (33) |
| | C2 | 72 (33) |
| | 3 | 72 (33) |
| | B3 | 75 (34) |
| | C3 | 75 (34) |



LEFT SIDE

FRONT VIEW
WITHOUT DOOR

FRONT VIEW
WITH DOOR

RIGHT SIDE

| | | | | |
|---|-------------|-----|----|----------|
| C | 232914 | EL | EL | 7/14/11 |
| | SEE ECN | | | |
| B | 205080 | AJM | WK | 08/18/05 |
| | SEE ECN | | | |
| A | 165119 | BWM | WK | 10/03 |
| | ADD 230 AMP | | | |
| - | 161657 | TR | WK | 10/04/02 |
| | ISSUED | | | |

| PROJECT NAME: | | REV. TO SHEET | ECN NO. | BY | APP. | DATE |
|------------------------|-----|---------------|----------|---|----------------------------|------------|
| OUTLINE 7000 SERIES | | | | | | |
| DRAWN BY | DJB | DATE | 10/04/02 | MANUFACTURING TOLERANCES TO BE IN ACCORDANCE WITH ASCO PROCEDURE MP-1-003. FOR PLASTIC PARTS SEE MP-1-005. | | |
| CHECKED | BWM | DATE | 10/04/02 | ASSEM. REF. NO. | COMPUTER GENERATED DRAWING | |
| PROJECT APPROVAL | WK | DATE | 10/04/02 | SCALE | 1:1 | SIZE DS |
| FINAL APPROVAL | | DATE | | PROPERTY OF ASCO POWER TECHNOLOGIES. USE PERMITTED FOR OUR WORK ONLY. ALL RIGHTS OF DESIGN OR INVENTION ARE RESERVED. | | |
| | | | | ASCO ASCO POWER TECHNOLOGIES, L.P. FLORHAM PARK, NEW JERSEY 07932 U.S.A. | | |
| | | | | 719687-003 | | SHEET 10F1 |