

OUTLINE FOR ASCO® 4000 & 7000 SERIES 600-1000 AMPERE "H" FRAME (ATS,ACTS,ADTS) FRONT CONNECTED TRANSFER SWITCHES TYPE 3R, 4, 4X, 12 SECURE ENCLOSURE

GENERAL NOTES

- TYPE 3R/4/4X/12 ENCLOSURE. FREE STANDING. FLOOR MOUNTED. CODE GAUGE CONSTRUCTION.
- DOOR HINGED ON RIGHT SIDE. DOOR CLAMPS AND LOCKABLE HASP ON LEFT SIDE.
- STANDARD FINISH TYPE 3R/4/12: ANSI 61 GRAY, POLYESTER POWDER STANDARD. TYPE 4X FINISH UNPAINTED BRUSHED STAINLESS STEEL. OTHER ANSI COLORS AVAILABLE CONSULT FACTORY.
- RECOMMENDED CLEARANCES:
FRONT: 40 INCHES
- A 20% RATED GROUND BUS IS PROVIDED.
- UNIT IS DESIGNED FOR COMBINATION TOP AND BOTTOM CABLE ENTRY. THE STANDARD SWITCH CONFIGURATION IS FOR TOP LUGS EMERGENCY AND LOAD AND BOTTOM LUGS NORMAL. OPTIONALLY, THE SWITCH MAY BE SUPPLIED WITH REVERSE NORMAL & EMERGENCY LUGS. (REFER TO THE WIRING DIAGRAM FURNISHED WITH EACH TRANSFER SWITCH TO DETERMINE TERMINATION POSITIONS).
- NEUTRAL CONFIGURATIONS:
AN OPTIONAL FULL RATED NEUTRAL CONFIGURATION FOR EACH SOURCE AND THE LOAD MAY BE PROVIDED. WHEN EQUIPPED IT IS IN ONE OF THE FOLLOWING FORMATS AS SPECIFIED BY THE CATALOG NUMBER NO. NEUTRAL TYPE:
(A) SOLID (COPPER BUS) NEUTRAL
(B) SWITCHED NEUTRAL POLE
(C) OVERLAPPING NEUTRAL POLE (NOT AVAILABLE ON ACTS/ADTS UNITS)
- CENTER OF GRAVITY.
- REMOVE BOTTOM KNOCKOUTS FOR TYPE 3R.

SERIES	CATALOG PREFIX
4000	4ATS
	4NTS
	4ACTS
	4NCTS
	4ADTS
7000	4NDTS
	7ATS
	7NTS
	7ACTS
	7NCTS
	7ADTS
	7NDTS

CABLING NOTES

- ALL SIZES SUPPLIED STANDARD WITH MECHANICAL (SCREW TYPE) LUGS. (SEE AMP SIZE BELOW)
A. LUG MATERIAL: ALUMINUM ALLOY 6061-T8 WITH ELECTRO TIN PLATED FINISH.
B. SCREW MATERIAL: ALUMINUM ALLOY 6262-T9 WITH ELECTRO TIN PLATED FINISH.
C. UL LISTED, CSA CERTIFIED.
D. LUG SCREW TIGHTENING TORQUE PER UL 486B: 19 FT-LBS.
E. SUITABLE WIRE BENDING SPACE IS PROVIDED. (SEE AMP SIZE BELOW)
- OPTIONAL COPPER CRIMP LUGS MAY BE SUPPLIED. (SEE AMP SIZE BELOW)
A. LUG MATERIAL: HIGH CONDUCTIVITY WROUGHT COPPER FINISH, ELECTRO TIN PLATED.
B. UL LISTED, CSA CERTIFIED.
C. LUG MOUNTING HARDWARE TIGHTENING TORQUE: (REFER TO WITHSTAND CURRENT RATING LABEL PROVIDED ON EACH TRANSFER SWITCH)
D. SUITABLE WIRE BENDING SPACE IS PROVIDED. (SEE AMP SIZE BELOW)
- CONSULT FACTORY FOR OTHER TERMINATION REQUIREMENTS.
- GROUND LUGS ARE PROVIDED STANDARD AS FOLLOWS. (SEE AMP SIZE BELOW).
FOR ALL 7000 SERIES AND 4000 SERIES ACTS, ADTS, NCTS, & NDTS UNITS THE TB WILL BE MOUNTED ON THE UPPER RIGHT INSIDE OF ENCLOSURE.
FOR 4000 SERIES ATS AND NTS UNITS TB WILL BE MOUNTED ON THE TRANSFER SWITCH FRAME AS INDICATED.

NOTES 600 AMP SWITCHES

- SUPPLIED WITH STANDARD MECHANICAL (SCREW TYPE) LUGS ON THE NORMAL, EMERGENCY & LOAD BUS STABS. ONE (1) LUG PER PHASE AND NEUTRAL EACH SUITABLE FOR CONNECTION OF TWO (2) #2 - 600MCM CU/AL CABLE (SEE NOTE "E" BELOW).
A. SUITABLE WIRE BENDING SPACE IS PROVIDED FOR UP TO TWO (2) 600MCM CABLES PER TERMINAL PER NEC.
- OPTIONAL COPPER CRIMP LUGS MAY BE SUPPLIED. UP TO TWO (2) TWO HOLE, LONG BARREL CU CRIMP LUGS RATED FOR UP TO 600MCM. (REFER TO CRIMP LUG INSTALLATION DATA PROVIDED WITH UNIT FOR FULL INSTALLATION DETAILS).
A. SUITABLE WIRE BENDING SPACE IS PROVIDED FOR UP TO TWO (2) 600MCM CABLES PER TERMINAL PER NEC.
- GROUND LUGS ARE PROVIDED STANDARD AS FOLLOWS:
(6) 1/0 - 750MCM CU/AL CABLE CONNECTIONS.

NOTES 800-1000 AMP SWITCHES

- SUPPLIED WITH STANDARD MECHANICAL (SCREW TYPE) LUGS ON THE NORMAL, EMERGENCY & LOAD BUS STABS. ONE (1) LUG PER PHASE AND NEUTRAL EACH SUITABLE FOR CONNECTION OF FOUR (4) 1/0 - 750MCM CU/AL CABLE (SEE NOTE "E" BELOW).
A. SUITABLE WIRE BENDING SPACE IS PROVIDED FOR UP TO FOUR (4) 600MCM CABLES PER TERMINAL PER NEC.
- OPTIONAL COPPER CRIMP LUGS MAY BE SUPPLIED. UP TO FOUR (4) TWO HOLE, LONG BARREL CU CRIMP LUGS RATED FOR UP TO 600MCM. (REFER TO CRIMP LUG INSTALLATION DATA PROVIDED WITH UNIT FOR FULL INSTALLATION DETAILS).
A. SUITABLE WIRE BENDING SPACE IS PROVIDED FOR UP TO FOUR (4) 600MCM CABLES PER TERMINAL PER NEC.
- GROUND LUGS ARE PROVIDED STANDARD AS FOLLOWS:
(12) 1/0 - 750MCM CU/AL CABLE CONNECTIONS.

NOTES 400A (ADTS"B3" 4 POLE ONLY)

- GROUND LUGS ARE PROVIDED STANDARD AS FOLLOWS:
(3) #6 - 250MCM CU/AL CABLE CONNECTIONS.

APPROXIMATE SHIPPING WEIGHT, LBS (KG)

SWITCH RATING (AMPS)	POLES	WEIGHTS LB (KG)
600,800	2	569 (258)
600,800	3	592 (269)
(400A 7ADTS) 600,800	4	615 (279)
1000	2	581 (264)
1000	3	610 (277)
1000	4	639 (290)

D	214781	TR	WK	10/06/07
	SEE ECH			
C	215108	WK	BK	09/14/07
	SEE ECH			
B	205094	AJM	WK	07/11/05
	SEE ECH			
A	163251	AMS	WK	03/27/03
	SEE ECH			
-	159715	BWM	WK	12/27/01
	ISSUED			

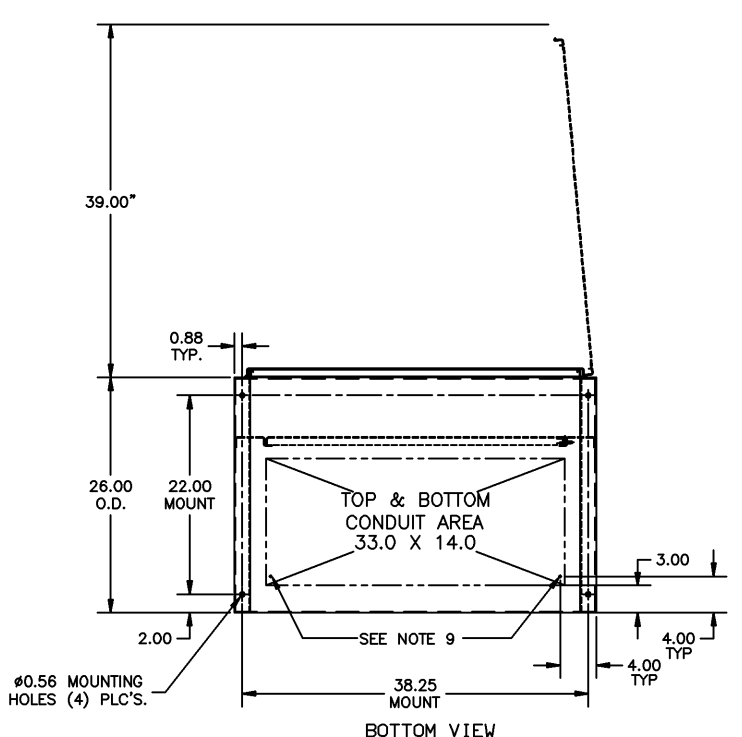
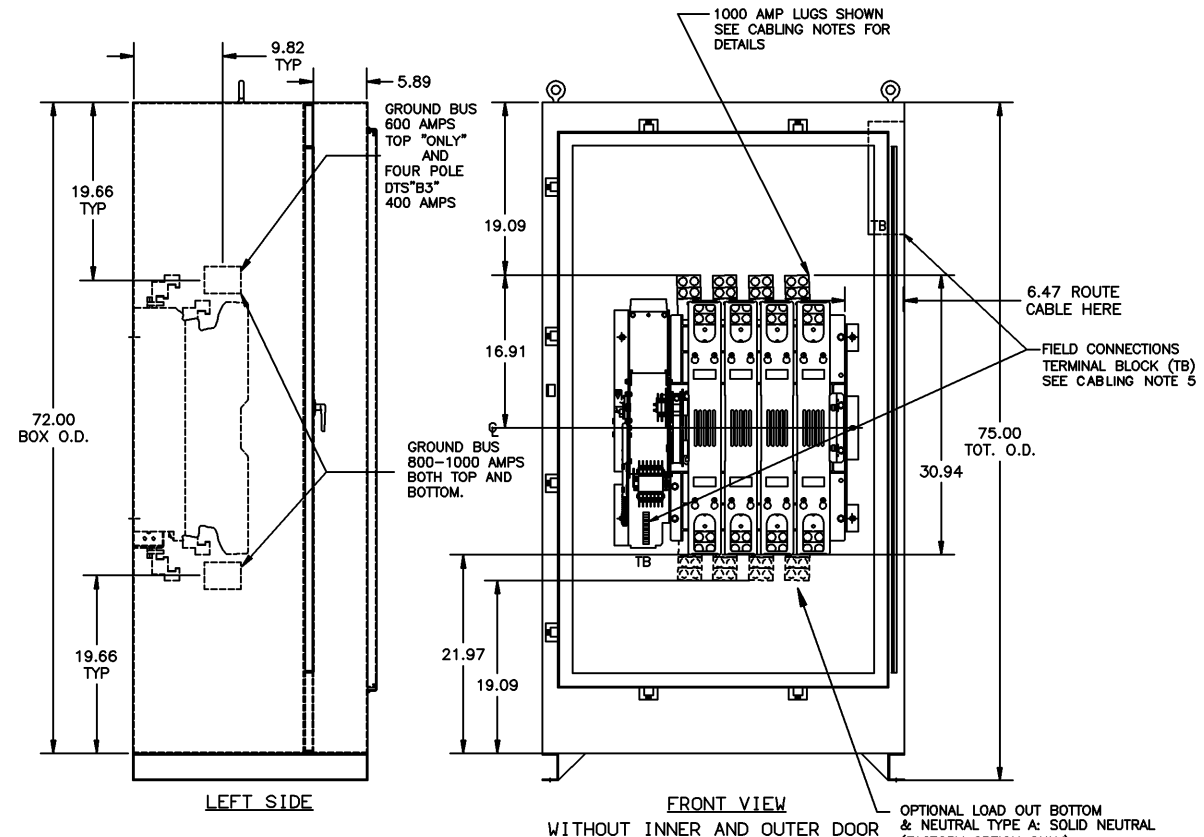
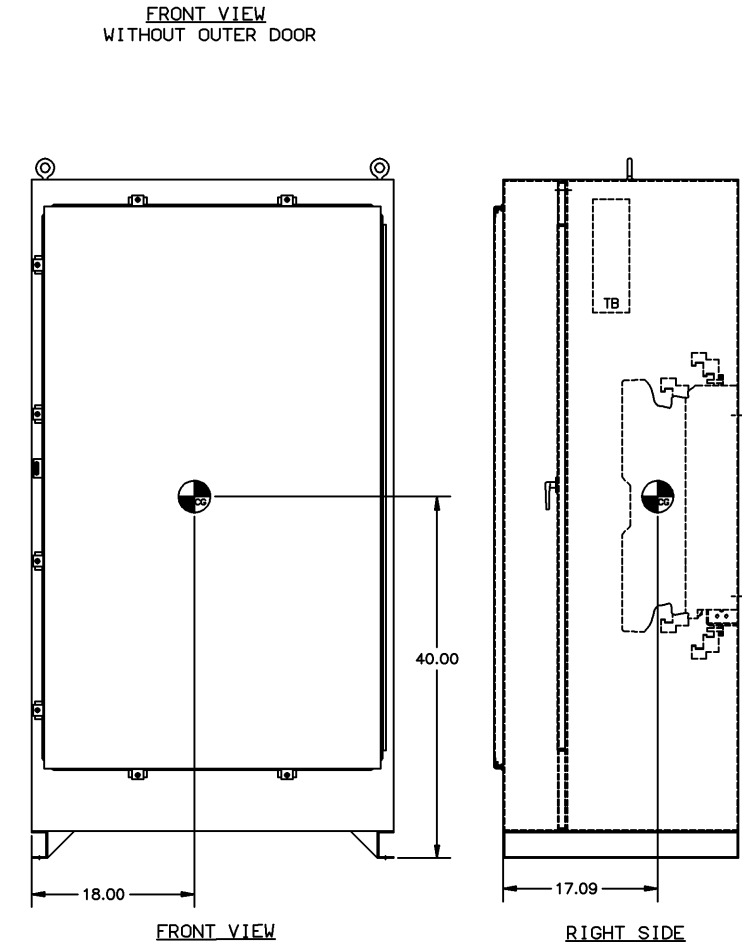
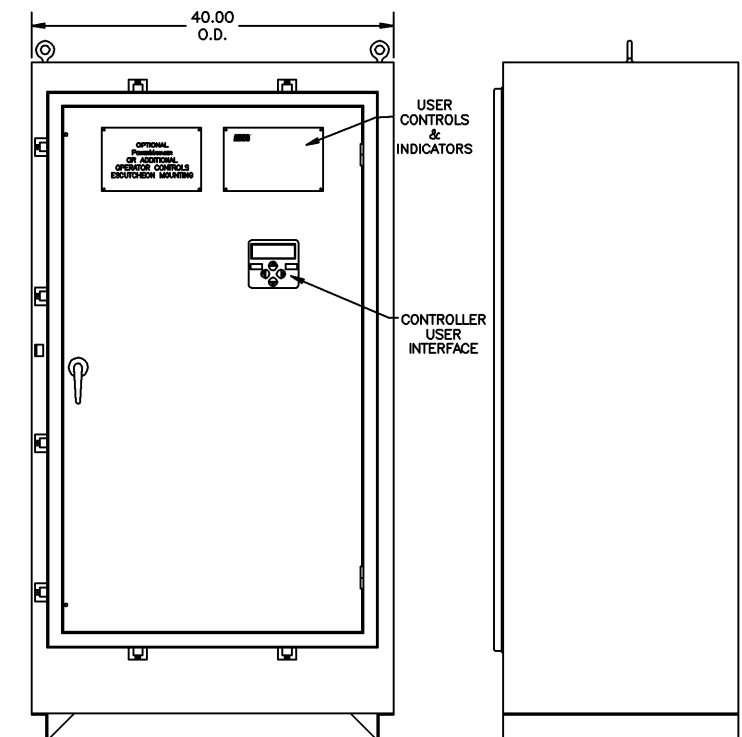
PROJECT NAME: _____

OUTLINE
4000/7000 SERIES

DRAWN BY	DJB	DATE	12/27/01	MANUFACTURING TOLERANCES TO BE IN ACCORDANCE WITH ASCO PROCEDURE MP-1-003. FOR PLASTIC PARTS SEE MP-1-005	ASSEMB. REF. NO.	
CHECKED	WK	DATE	12/27/01	PROPERTY OF ASCO POWER TECHNOLOGIES. USE PERMITTED FOR OUR WORK ONLY. ALL RIGHTS OF DESIGN OR INVENTION ARE RESERVED.	SCALE	1:1 SIZE DS
FINAL APPROVAL				ASCO POWER TECHNOLOGIES, LP. FLORHAM PARK, NEW JERSEY 07932 U.S.A.	DWG. NO.	713200-008
					DRAWING D	REV. 1

THIRD ANGLE PROJECTION

REV. 1



D
C
B
A

D
C
B
A