

# OUTLINE & MOUNTING FOR ASCO 4000/7000 SERIES AUTOMATIC TRANSFER SWITCHES TYPES ATS/ACTS/ADTS RATED 4000 AMPERES

## GENERAL NOTES

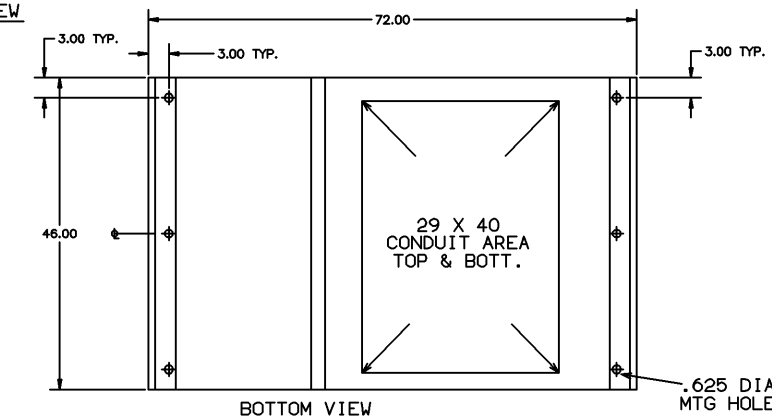
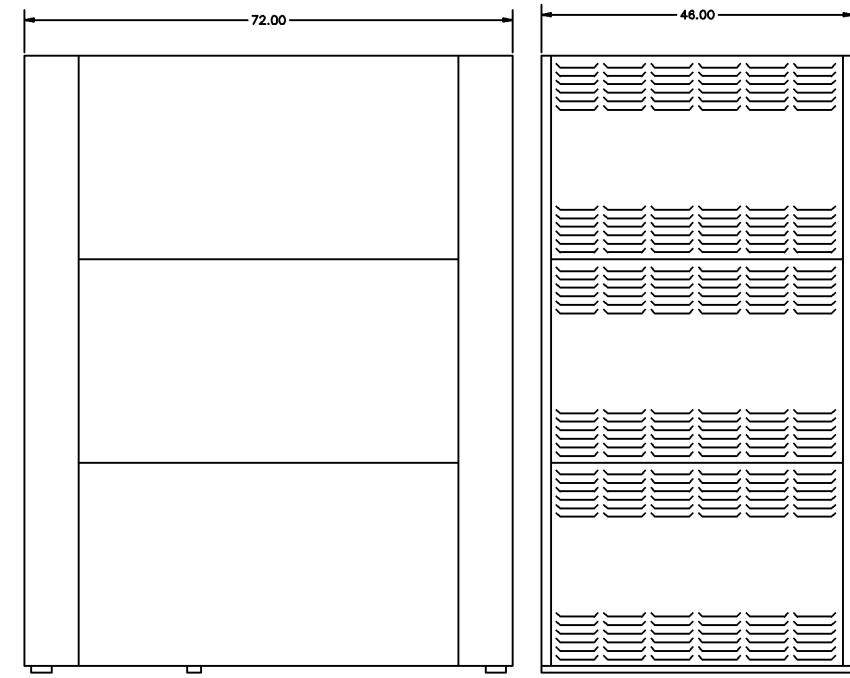
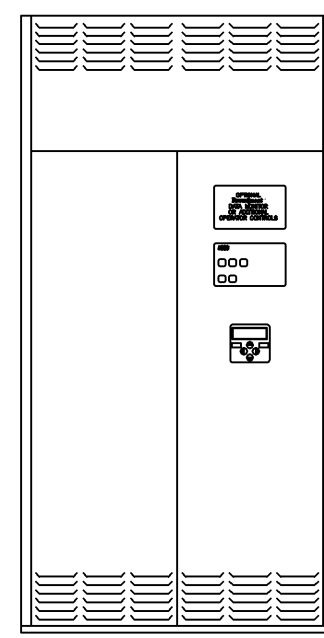
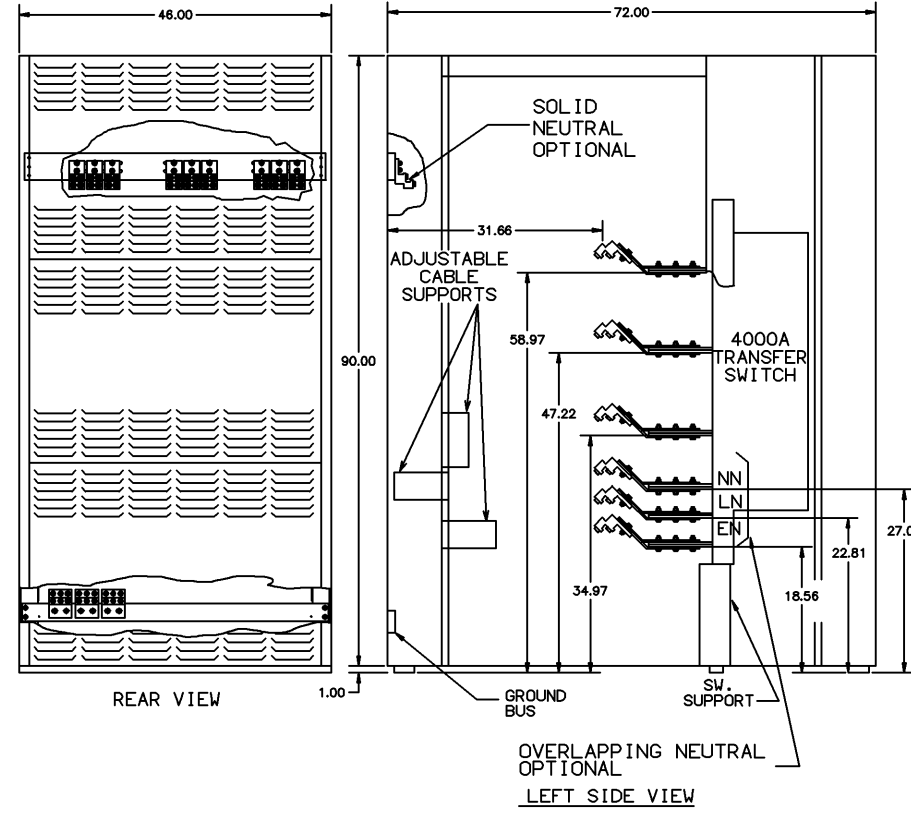
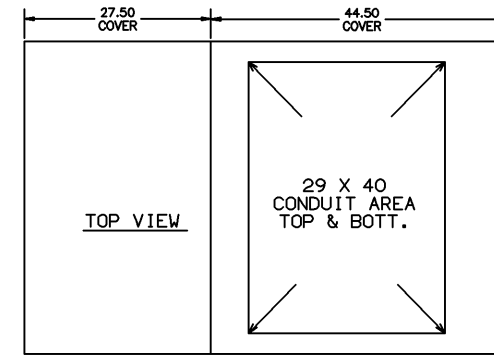
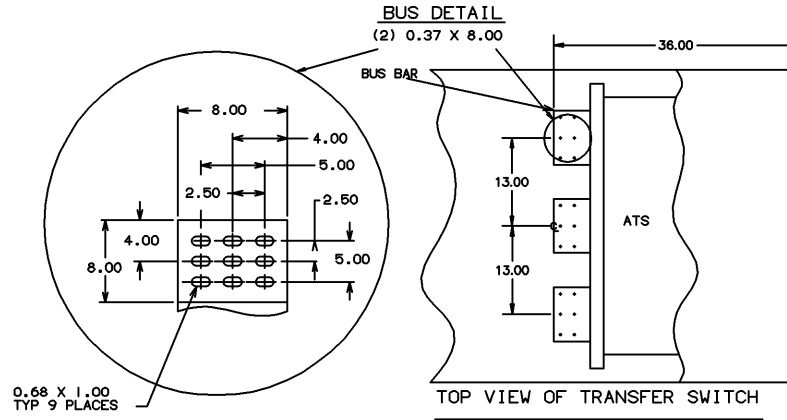
1. TYPE 1 ENCLOSURE. FREE STANDING. FLOOR MOUNTED. 12 GAUGE FORMED FRAME CONSTRUCTION PER UL 1008.
2. NEC STANDARD GAUGE PAN TYPE DOOR WITH LOCKABLE HANDLE.
3. FINISH: ANSI 61 GRAY, POLYESTER POWDER STANDARD. OTHER ANSI COLORS AVAILABLE. CONSULT FACTORY UL RECOGNIZED.
4. A 20% RATED GROUND BUS IS PROVIDED AT BOTTOM OF ENCLOSURE.
5. UNIT IS DESIGNED FOR COMBINATION TOP AND BOTTOM CABLE ENTRY. THE STANDARD SWITCH CONFIGURATION IS FOR TOP LUGS EMERGENCY AND LOAD AND BOTTOM LUGS NORMAL. OPTIONALLY, THE SWITCH MAY BE SUPPLIED WITH REVERSE NORMAL & EMERGENCY LUGS. (REFER TO THE WIRING DIAGRAM FURNISHED WITH EACH TRANSFER SWITCH TO DETERMINE TERMINATION POSITIONS).
6. A FULL RATED NEUTRAL CONNECTION FOR EACH SOURCE AND THE LOAD IS OPTIONAL. WHEN PROVIDED IT IS IN ONE OF THE FOLLOWING FORMATS AS SPECIFIED BY THE CATALOG NO. NEUTRAL TYPE:
  - A = SOLID (COPPER BUS) NEUTRAL
  - C = OVERLAPPING NEUTRAL POLE (NOT AVAILABLE ON 7ADTS UNITS)
7. FRONT AND REAR ACCESS.

## CABLING NOTES

1. SUPPLIED WITH STANDARD MECHANICAL (SCREW TYPE) LUGS ON THE NORMAL, EMERGENCY & LOAD BUS STABS. TWO (2) LUG PER PHASE AND NEUTRAL (OVERLAPPING) EACH SUITABLE FOR CONNECTION OF TWELVE (12) 1/0-750MCM CU/AL CABLES (SEE NOTE "E" BELOW). NEUTRAL TYPE 'A' SOLID COPPER BUS SUPPLIED WITH (9) CU/AL SCREW TYPE LUGS SUITABLE FOR (36) 1/0-750MCM CABLES.

- A. LUG MATERIAL: ALUMINUM ALLOY 6061-T6 WITH ELECTRO TIN PLATED FINISH.
  - B. SCREW MATERIAL: ALUMINUM ALLOY 6262-T9 WITH ELECTRO TIN PLATED FINISH.
  - C. UL LISTED, CSA CERTIFIED.
  - D. LUG SCREW TIGHTENING TORQUE PER UL 486B: 19 FT-LBS.
  - E. SUITABLE WIRE BENDING SPACE IS PROVIDED FOR UP TO TWELVE (12) 750MCM CABLES PER TERMINAL PER NEC.
2. OPTIONAL COPPER CRIMP LUGS MAY BE SUPPLIED. UP TO TWELVE (12) TWO HOLE, LONG BARREL CU CRIMP LUGS RATED FOR UP TO 750MCM. (REFER TO CRIMP LUG INSTALLATION DATA PROVIDED WITH UNIT FOR FULL INSTALLATION DETAILS).
    - A. LUG MATERIAL: HIGH CONDUCTIVITY WROUGHT COPPER FINISH, ELECTRO TIN PLATED.
    - B. UL LISTED, CSA CERTIFIED.
    - C. LUG MOUNTING HARDWARE TIGHTENING TORQUE: (REFER TO WITHSTAND CURRENT RATING LABEL PROVIDED ON EACH TRANSFER SWITCH).
    - D. SUITABLE WIRE BENDING SPACE IS PROVIDED FOR UP TO TWELVE (12) 750MCM CABLES PER TERMINAL PER NEC.
  3. GROUND LUGS ARE PROVIDED STANDARD AS FOLLOWS:
    - (18) 1/0 - 750MCM CU/AL CABLE CONNECTIONS.

### BUS DETAIL



D	217546	RR	BK	03/18/08
	SEE ECN			
C	209985	KH	BK	9/1/08
	SEE ECN			
B	183121	WK	WK	03/11/03
	SEE ECN			
A	162379	TR	WK	12/20/02
	SEE ECN			
-	151370	TR	WK	4/20/99
	ISSUE			

PROJECT NAME:		REV. TO SHEET	ECN NO.	BY	APP.	DATE
OUTLINE & MOUNTING						
4000/7000 SERIES ATS/ACTS/ADTS		COMPUTER GENERATED DRAWING				
4000 AMP NEMA TYPE 1		SCALE: 1/11 SIZE: DS				
BY	DATE	MANUFACTURING TOLERANCES TO BE IN ACCORDANCE WITH ASCO PROCEDURE MP-1-003. FOR PLASTIC PARTS SEE MP-1-005		ASSEMB. REF. NO.		
DRAWN BY	DJB	4/22/99				
CHECKED	WK	4/22/99	PROPERTY OF ASCO POWER TECHNOLOGIES. USE PERMITTED FOR OUR WORK ONLY. ALL RIGHTS OF DESIGN OR INVENTION ARE RESERVED.		DWC. NO. 702151	
FINAL APPROVAL			ASCO POWER TECHNOLOGIES, LP.		DRAWING D ECN NO. 217546 SHEET 1 OF 1	