

OUTLINE FOR ASCO® 4000 & 7000 SERIES 1000-2000 AMPERE "G" FRAME (ATS,ACTS,ADTS) FRONT CONNECTED TRANSFER SWITCHES TYPE 1 ENCLOSURE

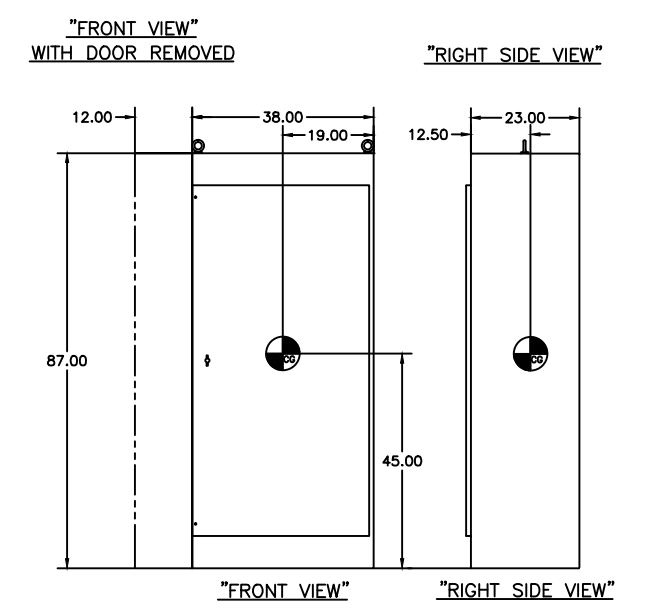
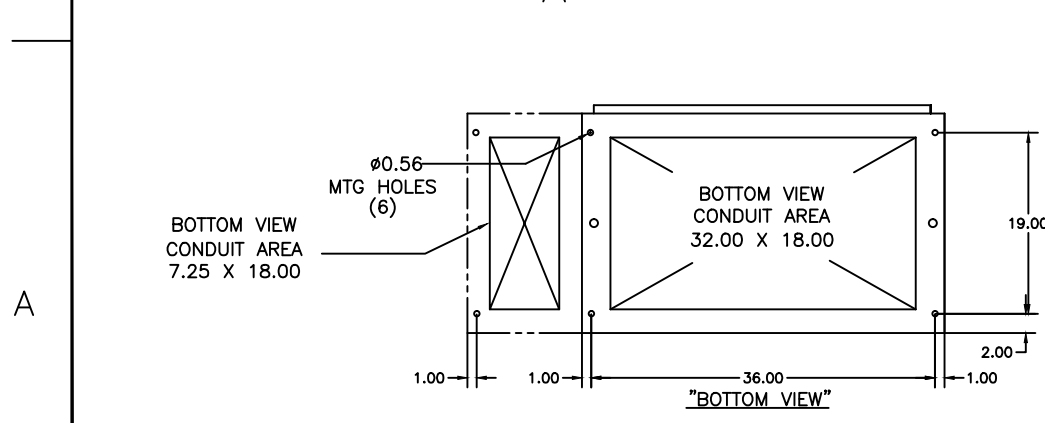
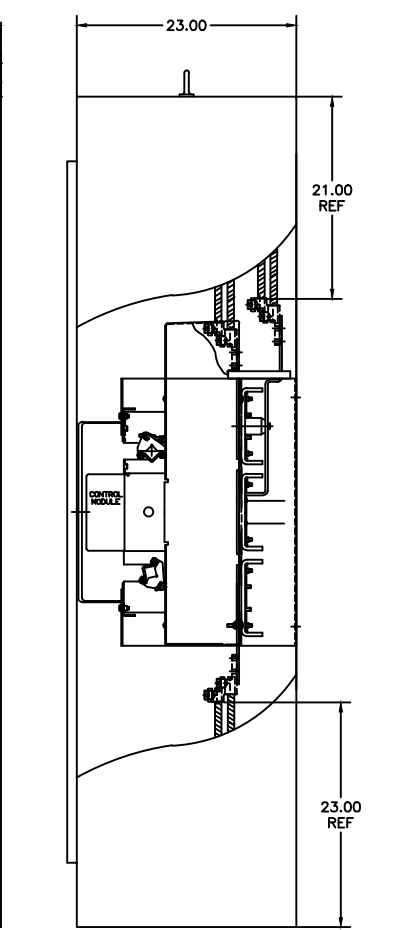
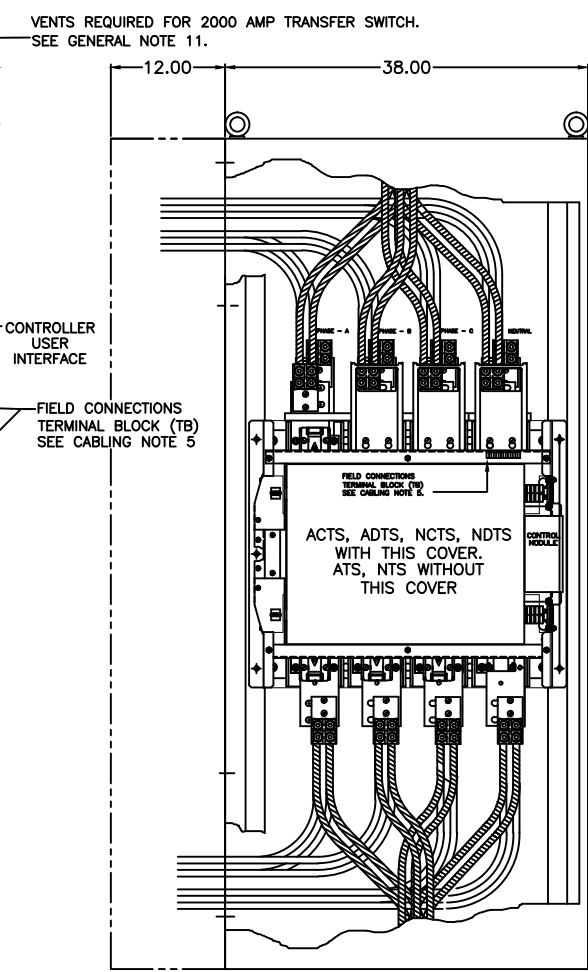
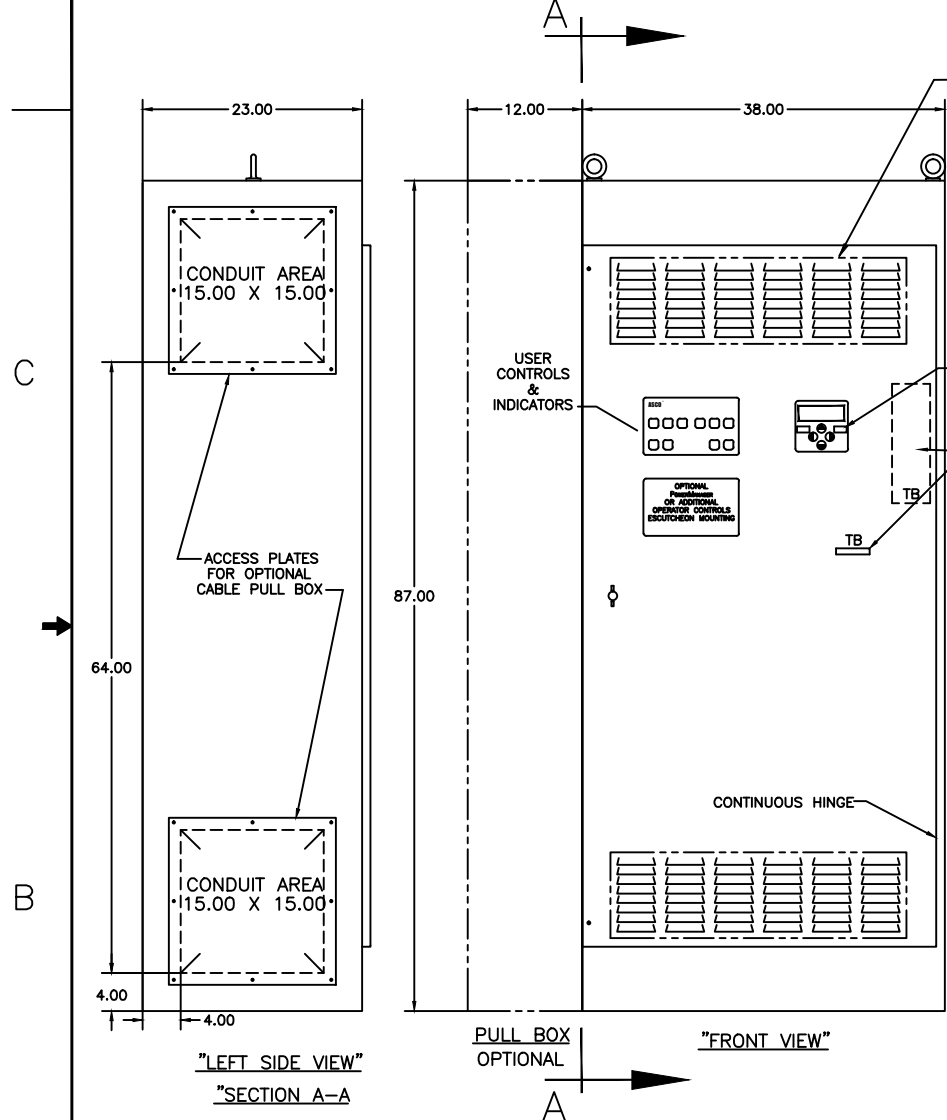
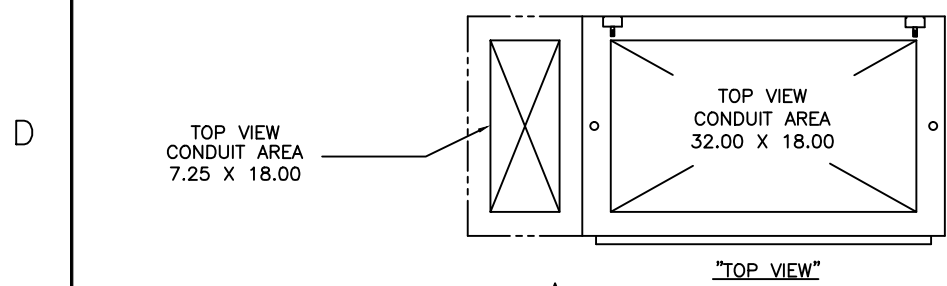
NOTE : CONSULT FACTORY FOR OTHER CABLING & TERMINATION REQUIREMENTS.

| APPROXIMATE SHIPPING WEIGHT, LBS (KG) | | | APPROXIMATE SHIPPING WEIGHT, LBS (KG) | | |
|---------------------------------------|-------|-----------|---------------------------------------|-------|------------|
| AMP SIZE | POLES | WEIGHT | AMP SIZE | POLES | WEIGHT |
| 1000 TO 1200 | 2 | 710 (324) | 1600 TO 2000 | 2 | 1300 (590) |
| | B2 | 740 (337) | | B2 | 1350 (612) |
| | C2 | 740 (337) | | C2 | 1350 (612) |
| | 3 | 740 (337) | | 3 | 1350 (612) |
| | B3 | 770 (351) | | B3 | 1400 (635) |
| | C3 | 770 (351) | | C3 | 1400 (635) |

GENERAL NOTES

- TYPE 1 ENCLOSURE, FREE STANDING, FLOOR MOUNTED, CODE GAUGE FORMED FRAME CONSTRUCTION.
 - NEC STANDARD GAUGE PAN TYPE DOOR WITH LOCKABLE HANDLE.
 - FINISH: ANSI 61 GRAY, POLYESTER POWDER STANDARD, OTHER ANSI COLORS AVAILABLE CONSULT FACTORY, UL RECOGNIZED.
 - CONSTRUCTION IS IN ACCORDANCE WITH APPLICABLE REQUIREMENTS OF UL 1008.
 - RECOMMENDED CLEARANCES:
FRONT: 36 INCHES
 - A 20% RATED GROUND BUS IS PROVIDED.
 - UNIT IS DESIGNED FOR COMBINATION TOP AND BOTTOM CABLE ENTRY. THE STANDARD SWITCH CONFIGURATION IS FOR TOP ENTRY EMERGENCY & LOAD AND BOTTOM ENTRY NORMAL. OPTIONALLY, THE SWITCH MAY BE SUPPLIED REVERSE SOURCES AND/OR BOTTOM ENTRY LOAD.
(REFER TO THE WIRING DIAGRAM FURNISHED WITH EACH TRANSFER SWITCH TO DETERMINE TERMINATION POSITIONS).
- IMPORTANT NOTE:**
UNDER NO CIRCUMSTANCES SHOULD POWER CABLES BE ROUTED ALONG THE SIDES OF THE TRANSFER SWITCH. AN OPTIONAL CABLE PULL BOX WHICH MOUNTS ON THE LEFT SIDE OF THE ENCLOSURE IS AVAILABLE WHEN CONDITIONS EXIST FOR WHICH CABLES MUST RUN BETWEEN THE TOP AND BOTTOM OF THE UNIT. GROUND CONDUCTORS ONLY MAY BE RUN ALONG THE LEFT SIDEWALL OF THE ENCLOSURE.
- NEUTRAL CONFIGURATIONS:
AN OPTIONAL FULL RATED NEUTRAL CONFIGURATION FOR EACH SOURCE AND THE LOAD MAY BE PROVIDED. WHEN EQUIPPED IT IS IN ONE OF THE FOLLOWING FORMATS AS SPECIFIED BY THE CATALOG NUMBER NO. NEUTRAL TYPE:
(A) SOLID (COPPER BUS) NEUTRAL
(B) SWITCHED NEUTRAL POLE
(C) OVERLAPPING NEUTRAL POLE (NOT AVAILABLE ON ACTS/ADTS UNITS)
 - CENTER OF GRAVITY
 - NO KNOCKOUTS ARE PROVIDED.
 - 2000 AMP TRANSFER SWITCH ONLY
 - PULL BOX AVAILABLE FOR TOP AND BOTTOM CABLE ACCESS WHEN REQUIRED (OPTIONAL)
CONTACT FACTORY FOR DETAILS SHIPPED SEPARATELY

| SERIES | CATALOG PREFIX |
|--------|----------------|
| 4000 | 4ATS |
| | 4NTS |
| | 4ACTS |
| | 4NCTS |
| | 4ADTS |
| 7000 | 7ATS |
| | 7NTS |
| | 7ACTS |
| | 7NCTS |
| | 7ADTS |



CABLING NOTES

- ALL SIZES SUPPLIED STANDARD WITH MECHANICAL (SCREW TYPE) LUGS. (SEE AMP SIZE BELOW)
A. LUG MATERIAL: ALUMINUM ALLOY 6061-T6 WITH ELECTRO TIN PLATED FINISH.
B. SCREW MATERIAL: ALUMINUM ALLOY 6262-T9 WITH ELECTRO TIN PLATED FINISH.
C. UL LISTED, CSA CERTIFIED.
D. LUG SCREW TIGHTENING TORQUE PER UL 486B: 19 FT-LBS.
E. SUITABLE WIRE BENDING SPACE IS PROVIDED. (SEE AMP SIZE BELOW)
- OPTIONAL COPPER CRIMP LUGS MAY BE SUPPLIED. (SEE AMP SIZE BELOW)
A. LUG MATERIAL: HIGH CONDUCTIVITY WROUGHT COPPER FINISH, ELECTRO TIN PLATED.
B. UL LISTED, CSA CERTIFIED.
C. LUG MOUNTING HARDWARE TIGHTENING TORQUE: (REFER TO WITHSTAND CURRENT RATING LABEL PROVIDED ON EACH TRANSFER SWITCH).
D. SUITABLE WIRE BENDING SPACE IS PROVIDED. (SEE AMP SIZE BELOW)
- CONSULT FACTORY FOR OTHER TERMINATION REQUIREMENTS.
- GROUND LUGS ARE PROVIDED STANDARD AS FOLLOWS: (SEE AMP SIZE BELOW)
A. CUSTOMER TERMINAL BLOCKS:
FOR ALL 7000 SERIES UNITS THE TB WILL BE MOUNTED ON THE UPPER RIGHT INSIDE OF ENCLOSURE. FOR 4000 SERIES UNITS TB WILL BE MOUNTED ON THE TRANSFER SWITCH FRAME AS INDICATED.

NOTES 1000-1200 AMPS

- SUPPLIED WITH STANDARD MECHANICAL (SCREW TYPE) LUGS ON THE NORMAL, EMERGENCY & LOAD BUS STABS. ONE (1) LUG PER PHASE AND NEUTRAL EACH SUITABLE FOR CONNECTION OF FOUR (4) 1/0 - 750CM CU/AL CABLE (SEE NOTE "E" BELOW).
E. SUITABLE WIRE BENDING SPACE IS PROVIDED FOR UP TO FOUR (4) 600CM CABLES PER TERMINAL PER NEC.
- OPTIONAL COPPER CRIMP LUGS MAY BE SUPPLIED. UP TO FOUR (4) TWO HOLE, LONG BARREL CU CRIMP LUGS RATED FOR UP TO 600CM. (REFER TO CRIMP LUG INSTALLATION DATA PROVIDED WITH UNIT FOR FULL INSTALLATION DETAILS).
D. SUITABLE WIRE BENDING SPACE IS PROVIDED FOR UP TO FOUR (4) 600CM CABLES PER TERMINAL PER NEC.
- GROUND LUGS ARE PROVIDED STANDARD AS FOLLOWS:
(12) 1/0 - 750CM CU/AL CABLE

NOTES 1600-2000 AMPS

- SUPPLIED WITH STANDARD MECHANICAL (SCREW TYPE) LUGS ON THE NORMAL, EMERGENCY & LOAD BUS STABS. ONE (1) LUG PER PHASE AND NEUTRAL EACH SUITABLE FOR CONNECTION OF SIX (6) 1/0 - 750CM CU/AL CABLE (SEE NOTE "E" BELOW).
E. SUITABLE WIRE BENDING SPACE IS PROVIDED FOR UP TO SIX (6) 750CM CABLES PER TERMINAL PER NEC.
- OPTIONAL COPPER CRIMP LUGS MAY BE SUPPLIED. UP TO SIX (6) TWO HOLE, LONG BARREL CU CRIMP LUGS RATED FOR UP TO 600CM. (REFER TO CRIMP LUG INSTALLATION DATA PROVIDED WITH UNIT FOR FULL INSTALLATION DETAILS).
D. SUITABLE WIRE BENDING SPACE IS PROVIDED FOR UP TO SIX (6) 600CM CABLES PER TERMINAL PER NEC.
- GROUND LUGS ARE PROVIDED STANDARD AS FOLLOWS:
(12) 1/0 - 750CM CU/AL CABLE

| | | | | |
|---|---------|-----|----|----------|
| G | 235341 | MM | BK | 01/13/12 |
| | SEE ECN | | | |
| F | 213457 | WK | WK | 05/21/07 |
| | SEE ECN | | | |
| E | 205189 | AJM | WK | 07/20/05 |
| | SEE ECN | | | |
| D | 167280 | TR | WK | 6/14/04 |
| | SEE ECN | | | |
| C | 164607 | TR | WK | 08/15/03 |
| | SEE ECN | | | |
| B | 157871 | BK | BK | 8/01 |
| | SEE ECN | | | |
| A | 152738 | WL | WK | 9/25/99 |
| | SEE ECN | | | |
| H | 238495 | BK | BK | 08/15/12 |
| | SEE ECN | | | |

PROJECT NAME: _____

OUTLINE

4000/7000 SERIES

1000-2000 AMP (F/C ONLY)

| REV. TO SHEET | DATE | BY | APP. | DATE |
|---------------|------|-----|------|------|
| Y2 | 1/98 | SDH | | |
| SDH | 1/98 | | | |

MANUFACTURING TOLERANCES TO BE IN ACCORDANCE WITH ASCO PROCEDURE MP-1-003. FOR PLASTIC PARTS SEE MP-1-005.

PROPERTY OF ASCO POWER TECHNOLOGIES. USE PERMITTED FOR OUR WORK ONLY. ALL RIGHTS OF DESIGN OR INVENTION ARE RESERVED.

ASCO® ASCO POWER TECHNOLOGIES, L.P.
FLORHAM PARK, NEW JERSEY 07932 U.S.A.

COMPUTER GENERATED DRAWING

SCALE: NONE SIZE: DS

DWG. NO. 619586

ISSUED

REV. H ECN NO. 238495 SHEET 1 OF 1