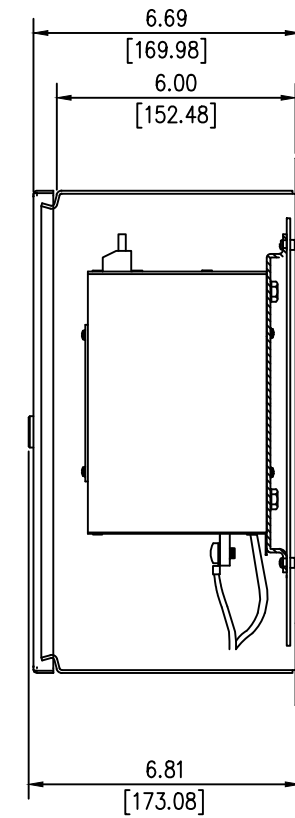
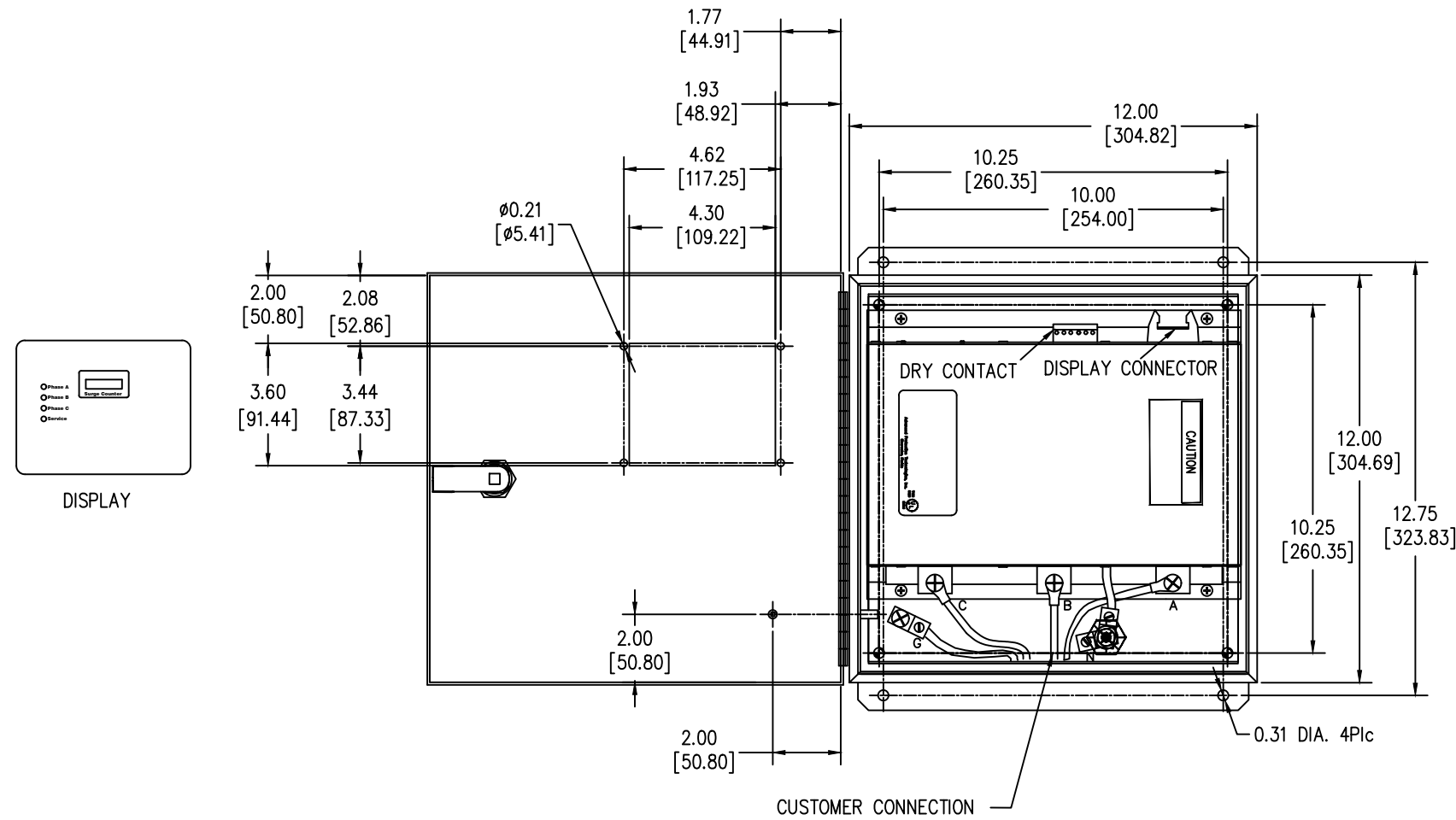
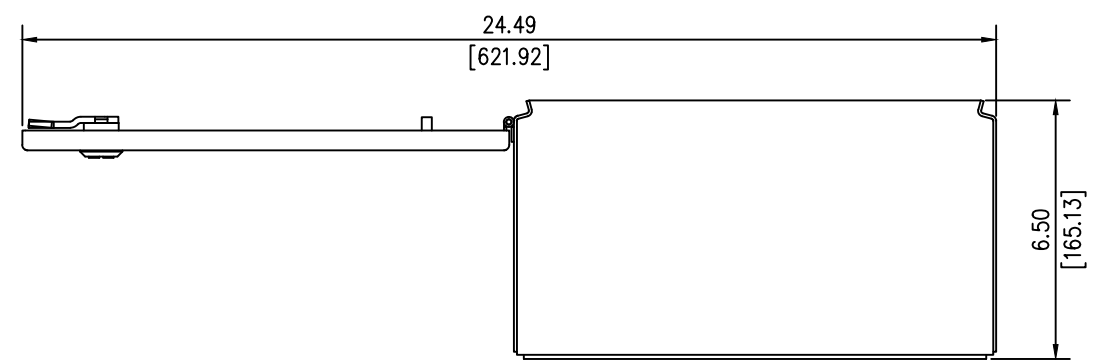


SURGE PROTECTIVE DEVICE (SPD)  
WEIGHTS & DIMENSIONS  
NEMA RATING: 1/12/3R/4



ENCLOSURE SPECS.  
DESC: ENCLOSURE, HINGED  
DIM: 12"H x 12"W x 6"D  
MAT: CARBON STEEL, 16 GAUGE  
FINISH: POWDERCOAT ANSI 61 GRAY  
NEMA RATING: 1/12/3R/4  
DEVICE WEIGHT: 23.70LBS. (10.75KG.)



PROJECT NAME:		REV. TO SHEET	ECN NO.	BY	APP.	DATE
SERIES 400		MODEL 460		 THIRD ANGLE PROJECTION		
400k-500k w/o DS		COMPUTER GENERATED DRAWING				
NEMA RATING: 1/12/3R/4		SCALE	NONE	SIZE	BS	
DRAWN BY	HD	DATE	7/18/09	ASSEM. REF. NO.	DWG. NO.	
CHECKED	MJG	DATE	7/18/09	PROPERTY OF ASCO POWER TECHNOLOGIES. USE PERMITTED FOR OUR WORK ONLY. ALL RIGHTS OF DESIGN OR INVENTION ARE RESERVED.		
PROJECT APPROVAL	MJG	DATE	7/18/09	 ASCO POWER TECHNOLOGIES, L.P. FLORHAM PARK, NEW JERSEY 07932 U.S.A.		
FINAL APPROVAL				DRAWING REV.	0	ECN NO.
				DD-TEXA500-4		SHEET 1 OF 1