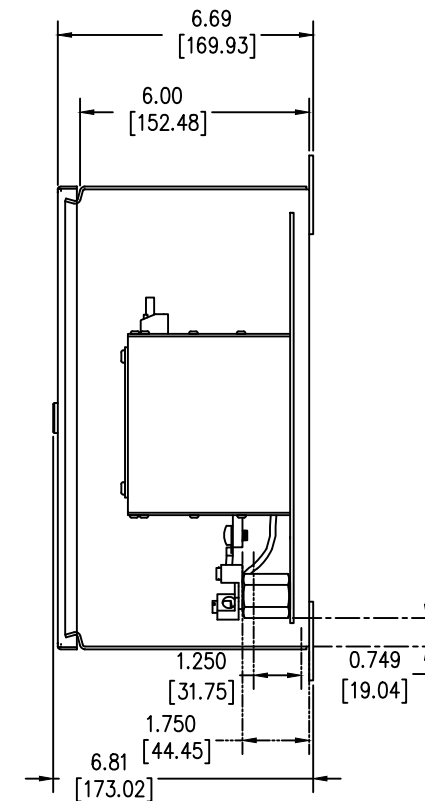
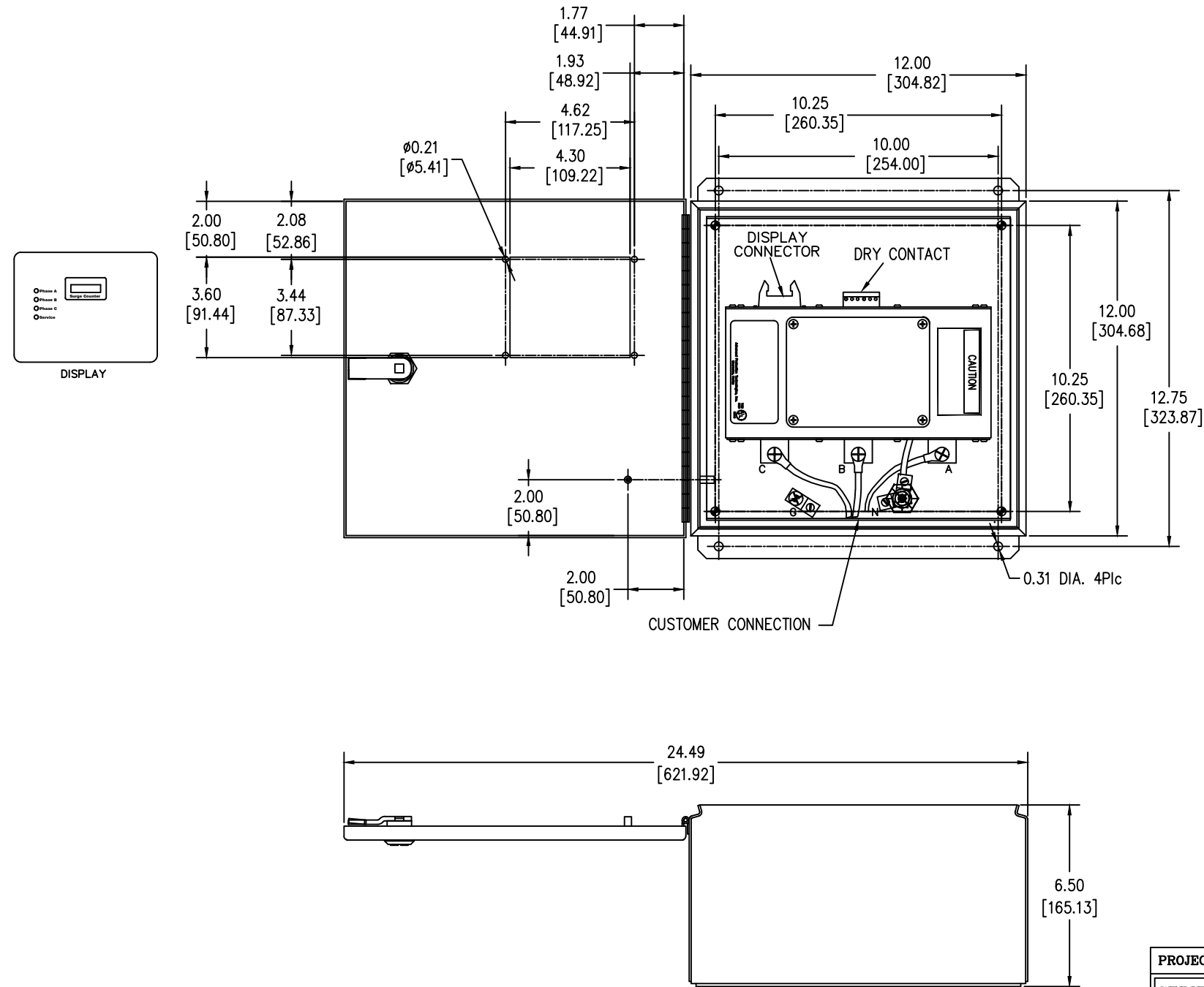


SURGE PROTECTIVE DEVICE (SPD)  
WEIGHTS & DIMENSIONS  
NEMA RATING: 1/12/3R/4



ENCLOSURE SPECS.  
DESC: ENCLOSURE, HINGED  
DIM: 12"H x 12"W x 6.81"D  
MAT: CARBON STEEL, 14 GAUGE  
FINISH: POWDERCOAT ANSI 61 GRAY  
NEMA RATING: 1/12/3R/4  
DEVICE WEIGHT: 21.70LBS. (9.84KG.)

PROJECT NAME:		REV. TO SHEET	ECN NO.	BY	APP.	DATE
SERIES 400		MODEL 460		 THIRD ANGLE PROJECTION		
100k-300k w/o DS		NEMA RATING: 1/12/3R/4				
DRAWN BY	HD	DATE	7/18/09	MANUFACTURING TOLERANCES TO BE IN ACCORDANCE WITH ASCO PROCEDURE MP-1-003. FOR PLASTIC PARTS SEE MP-1-055.		ASSEM. REF. NO.
CHECKED	MJG	DATE	7/18/09	PROPERTY OF ASCO POWER TECHNOLOGIES. USE PERMITTED FOR OUR WORK ONLY. ALL RIGHTS OF DESIGN OR INVENTION ARE RESERVED.		SCALE NONE SIZE BS
PROJECT APPROVAL	MJG	DATE	7/18/09	 ASCO POWER TECHNOLOGIES, L.P. FLORHAM PARK, NEW JERSEY 07932 U.S.A.		DWG. NO. DD-TEXA300-4
FINAL APPROVAL						DRAWING REV. 0 SHEET 1 OF 1