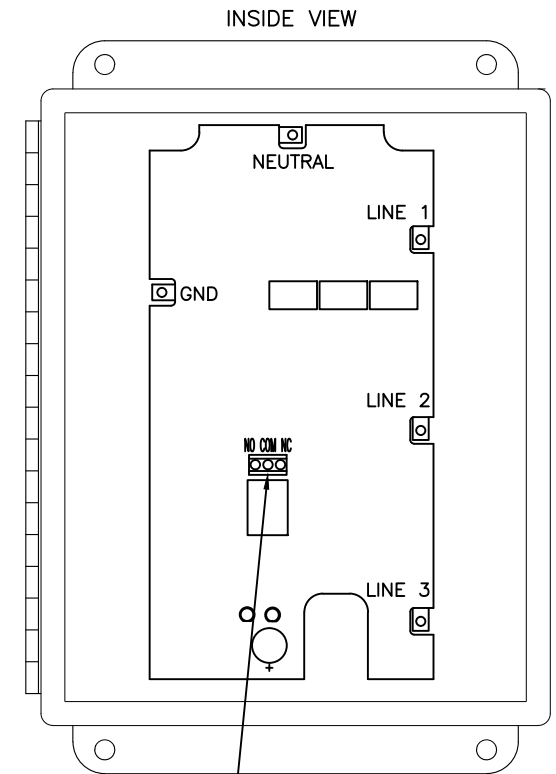
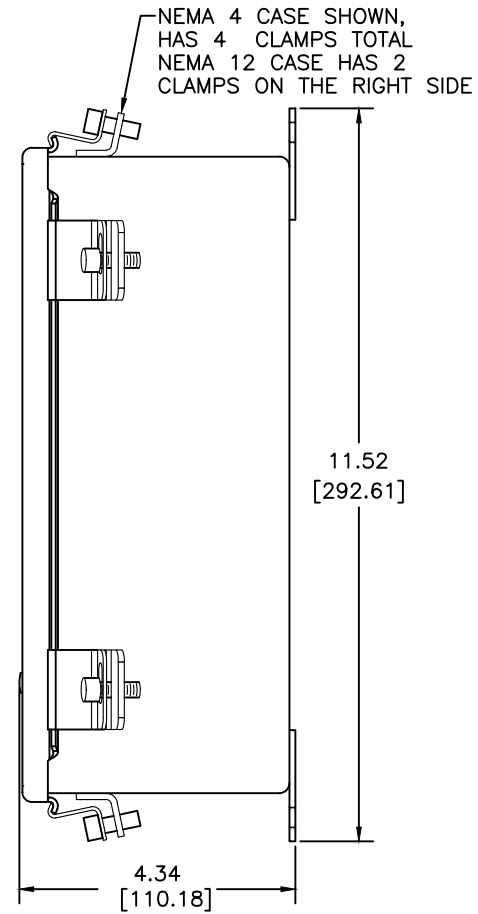
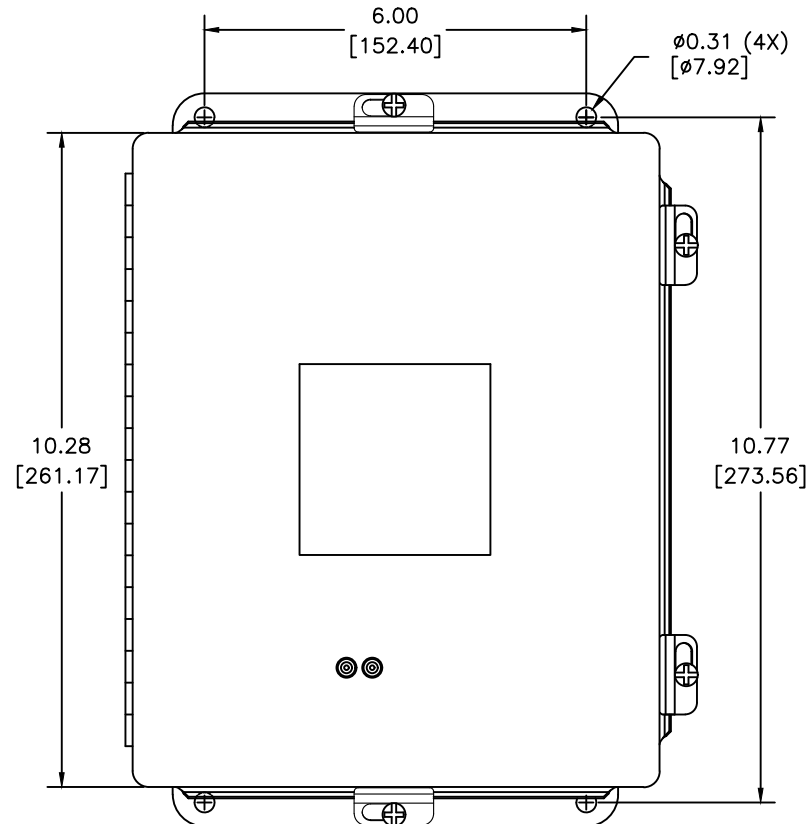
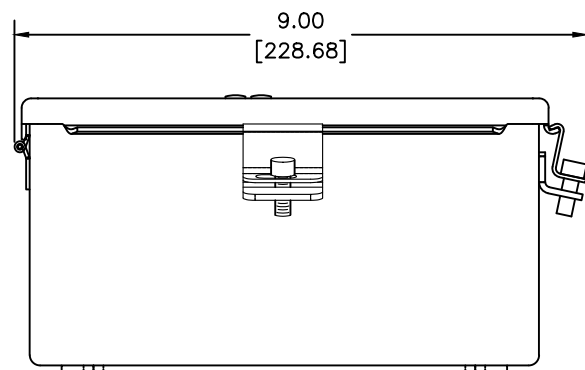


NOTES:

1. ENCLOSURE IS PAINTED STEEL, ANSI GREY, NEMA 4 OR NEMA 12 RATED.
2. UNIT IS RoHS COMPLIANT.
3. WEIGHT: 10.9 POUNDS [4.9kg] MAXIMUM.
4. RECOMMENDED BREAKER SIZE RANGE: 20A-30A.
5. RECOMMENDED PHASE/NEUTRAL/GROUND WIRE RANGE: 12-10 AWG.  
RECOMMENDED DRY CONTACT WIRE: 18 AWG.



SUMMARY ALARM CONTACTS  
(INSIDE COVER):  
NORMALLY OPEN  
COMMON  
NORMALLY CLOSED



PROJECT NAME:			REV. TO SHEET	ECN NO.	BY	APP.	DATE
SERIES 400			MODEL 440			THIRD ANGLE PROJECTION	
NEMA 4 & 12 Enclosure							
BY	DATE	MANUFACTURING TOLERANCES TO BE IN ACCORDANCE WITH ASCO PROCEDURE MP-1-003. FOR PLASTIC PARTS SEE MP-1-055	ASSEM. REF. NO.		COMPUTER GENERATED DRAWING		
DRAWN BY	TMV	8/20/14			SCALE	NONE	SIZE BS
CHECKED	ALG	8/20/14	PROPERTY OF ASCO POWER TECHNOLOGIES. USE PERMITTED FOR OUR WORK ONLY. ALL RIGHTS OF DESIGN OR INVENTION ARE RESERVED.		DWG. NO.		
PROJECT APPROVAL	BCR	2013			DD-82516		
FINAL APPROVAL			ASCO® ASCO POWER TECHNOLOGIES, L.P. FLORHAM PARK, NEW JERSEY 07932 U.S.A.		DRAWING REV.	0	ECN NO.
						SHEET 1 OF 1	