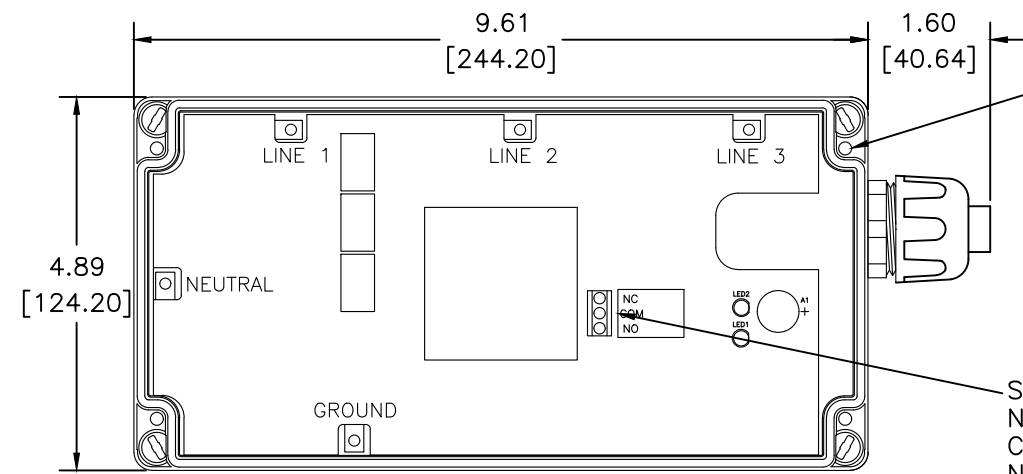


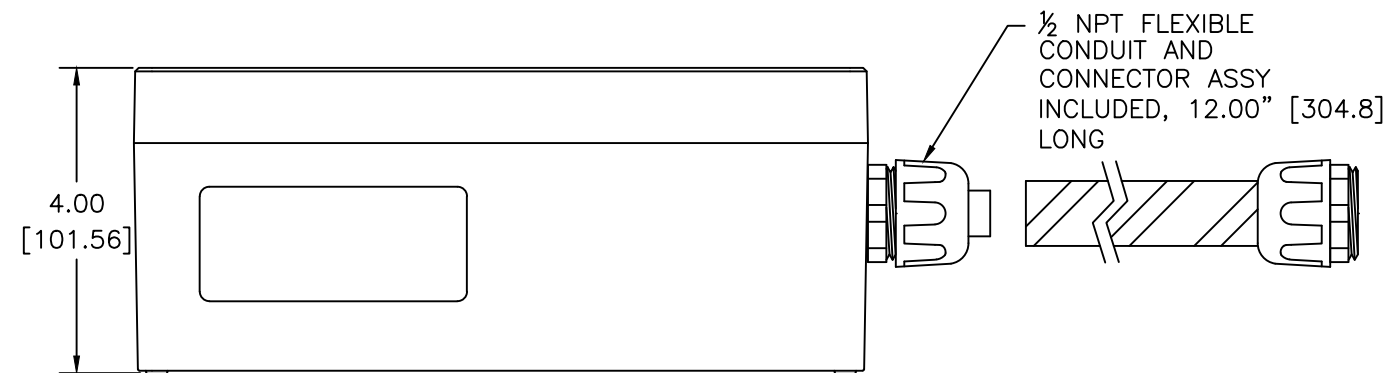
NOTES:

1. ENCLOSURE IS POLYCARBONATE, OPAQUE BASE WITH TRANSPARENT COVER.
UL RATED TYPE 1,4,4X,12 AND 13.
2. UNIT IS RoHS COMPLIANT.
3. WEIGHT: LESS THAN 4.4 POUNDS [2.0kg] MAXIMUM.
4. RECOMMENDED BREAKER SIZE RANGE: 20A-30A.
5. RECOMMENDED PHASE/NEUTRAL/GROUND WIRE RANGE: 12-10 AWG.
RECOMMENDED DRY CONTACT WIRE: 18 AWG.

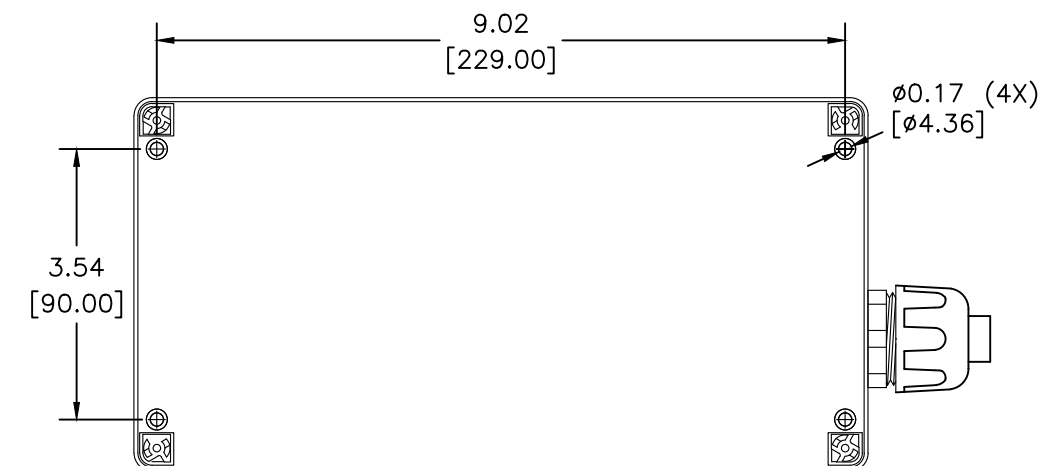
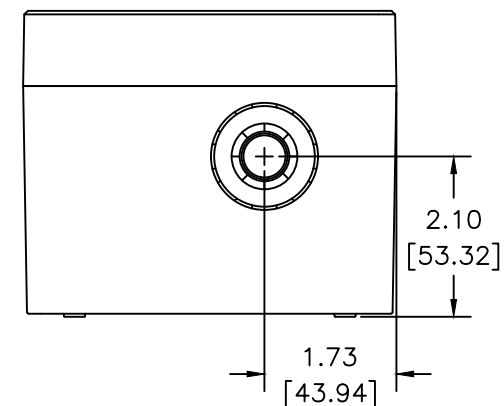


TO MOUNT UNIT:
REMOVE COVER, USE INCLUDED #6-20x3/4" SELF DRILLING SCREWS. (PHILLIPS DRIVE, S.S.) REPLACE COVER. TORQUE COVER SCREWS TO 10 IN-LBS.

SUMMARY ALARM CONTACTS (BENEATH COVER):
NORMALLY OPEN
COMMON
NORMALLY CLOSED



1/2 NPT FLEXIBLE CONDUIT AND CONNECTOR ASSY INCLUDED, 12.00" [304.8] LONG



PROJECT NAME:			REV. TO SHEET	ECN NO.	BY	APP.	DATE
SERIES 400			MODEL 445/440			 THIRD ANGLE PROJECTION	
DRAWN BY	BY	DATE	MANUFACTURING TOLERANCES TO BE IN ACCORDANCE WITH ASCO PROCEDURE MP-I-003. FOR PLASTIC PARTS SEE MP-I-055		ASSEM. REF. NO.	COMPUTER GENERATED DRAWING	
CHECKED	ALG	8/19/14	PROPERTY OF ASCO POWER TECHNOLOGIES. USE PERMITTED FOR OUR WORK ONLY. ALL RIGHTS OF DESIGN OR INVENTION ARE RESERVED.			SCALE NONE	SIZE BS
PROJECT APPROVAL	BCR	2013	 ASCO® ASCO POWER TECHNOLOGIES, L.P. FLORHAM PARK, NEW JERSEY 07932 U.S.A.			DWG. NO.	
FINAL APPROVAL						DD-82501	
							SHEET 1 OF 1