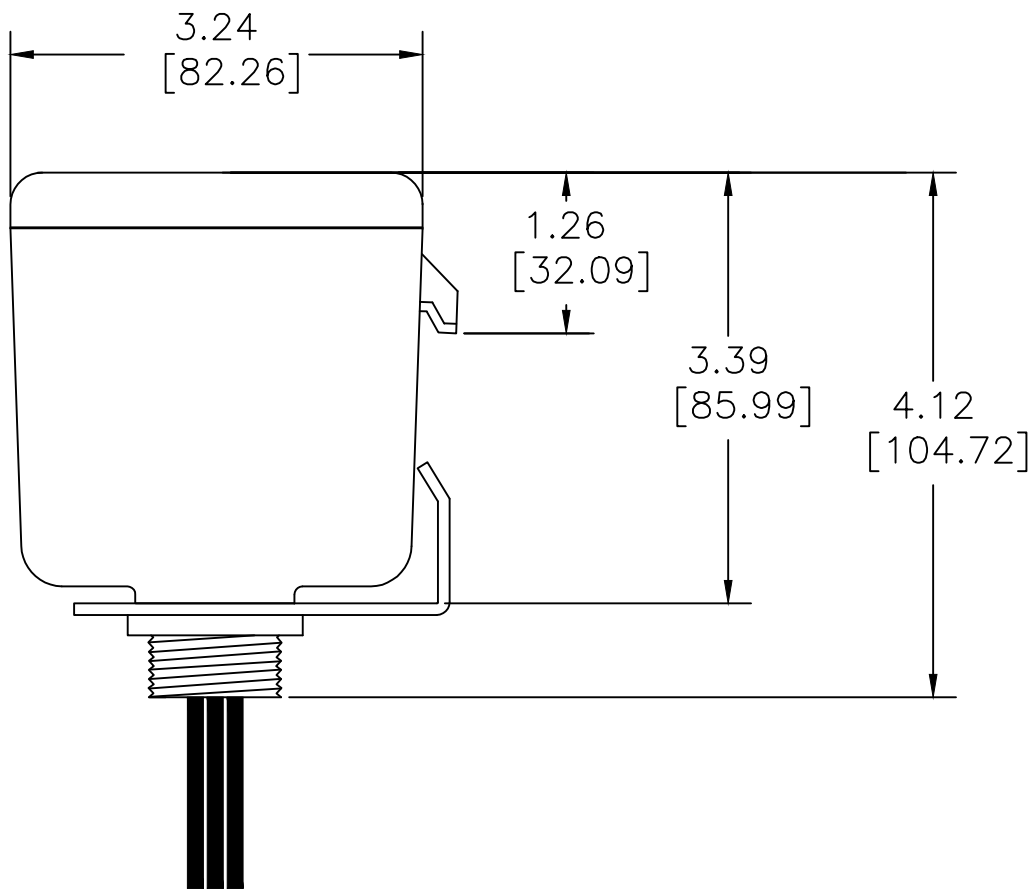
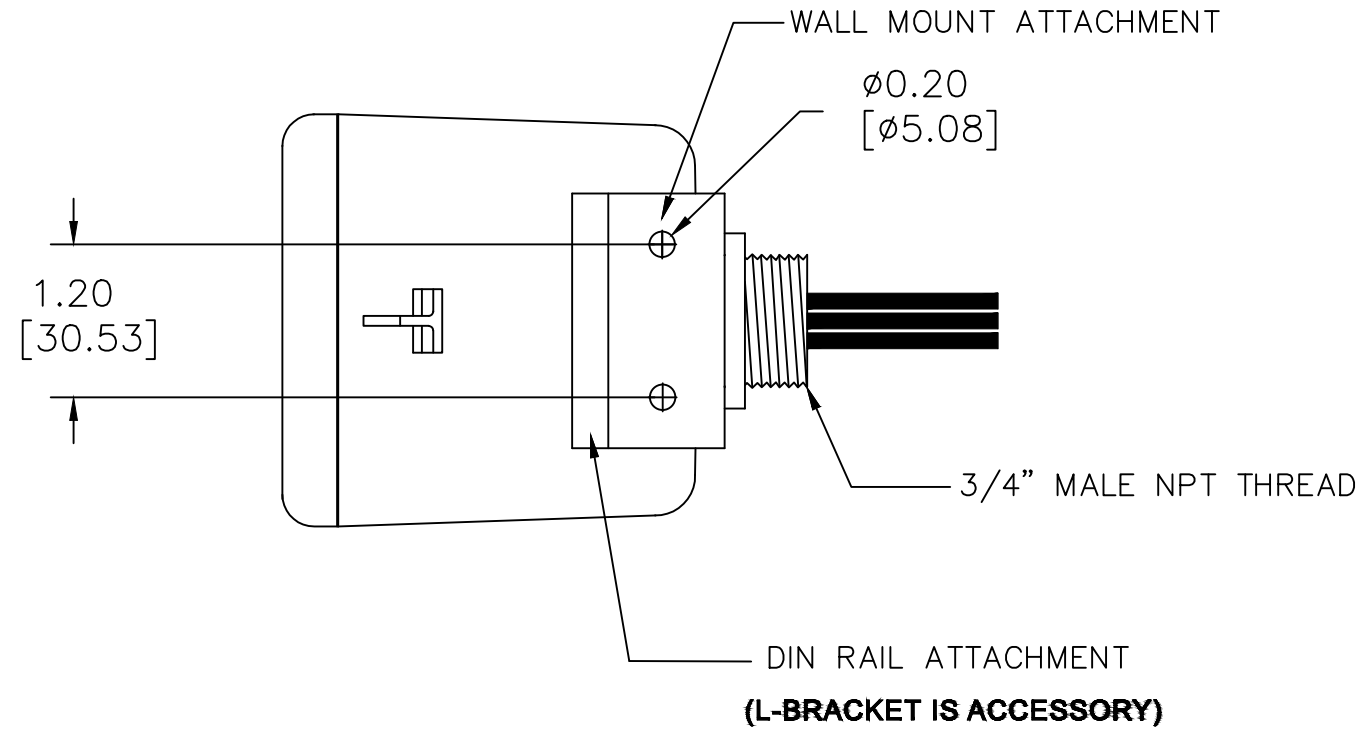
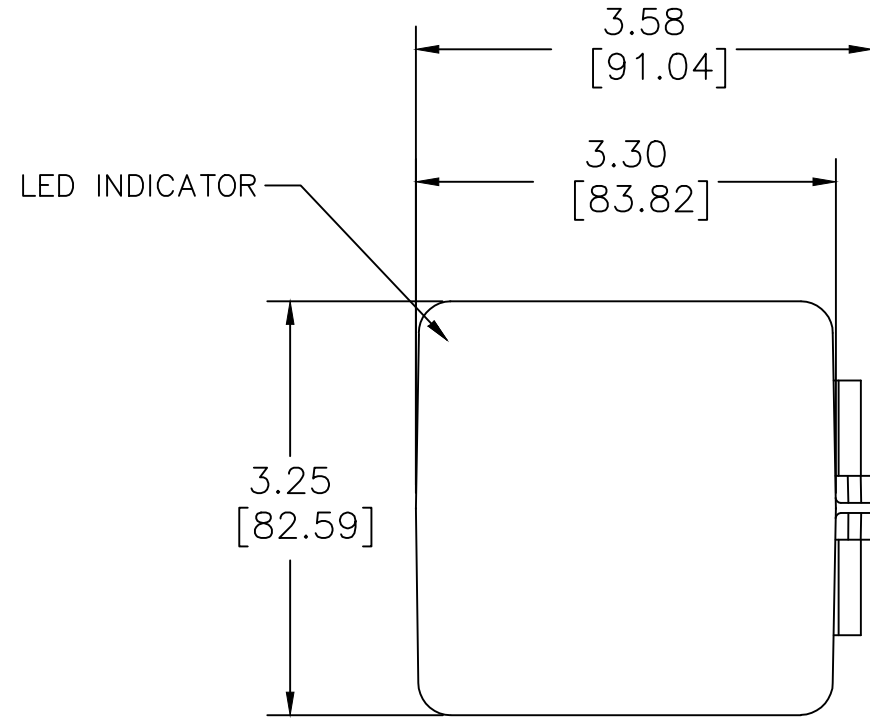


SURGE PROTECTIVE DEVICE (SPD)
 WEIGHTS & DIMENSIONS
 NEMA RATING: 4X NON METALLIC



ENCLOSURE SPECS.:
 DESC: NON-METALLIC ENCLOSURE
 DIM: 3.30"H x 3.25"W x 3.38"D
 MAT: POLYCARBONATE (V2 & F1)
 FINISH: GRAY
 NEMA RATING: 4X
 DEVICE WEIGHT: 1.6LBS. (0.72 KG.)

PROJECT NAME:		REV. TO SHEET	ECN NO.	BY	APP.	DATE
SERIES 400		MODEL 420		 THIRD ANGLE PROJECTION		
SPDee SERIES 50k-100k & DC						
NEMA: 4X				COMPUTER GENERATED DRAWING		
DRAWN BY	DMP	DATE	3/08/12	MANUFACTURING TOLERANCES TO BE IN ACCORDANCE WITH ASCO PROCEDURE MP-1-003. FOR PLASTIC PARTS SEE MP-1-055.		ASSEM. REF. NO.
CHECKED	MJG	DATE	3/18/12	PROPERTY OF ASCO POWER TECHNOLOGIES. USE PERMITTED FOR OUR WORK ONLY. ALL RIGHTS OF DESIGN OR INVENTION ARE RESERVED.		SCALE NONE SIZE BS
PROJECT APPROVAL	MJG	DATE	3/18/12	 ASCO POWER TECHNOLOGIES, L.P. FLORHAM PARK, NEW JERSEY 07932 U.S.A.		DWG. NO. DD-SPDee-4X
FINAL APPROVAL				DRAWING REV. 0	ECN NO.	SHEET 1 OF 1