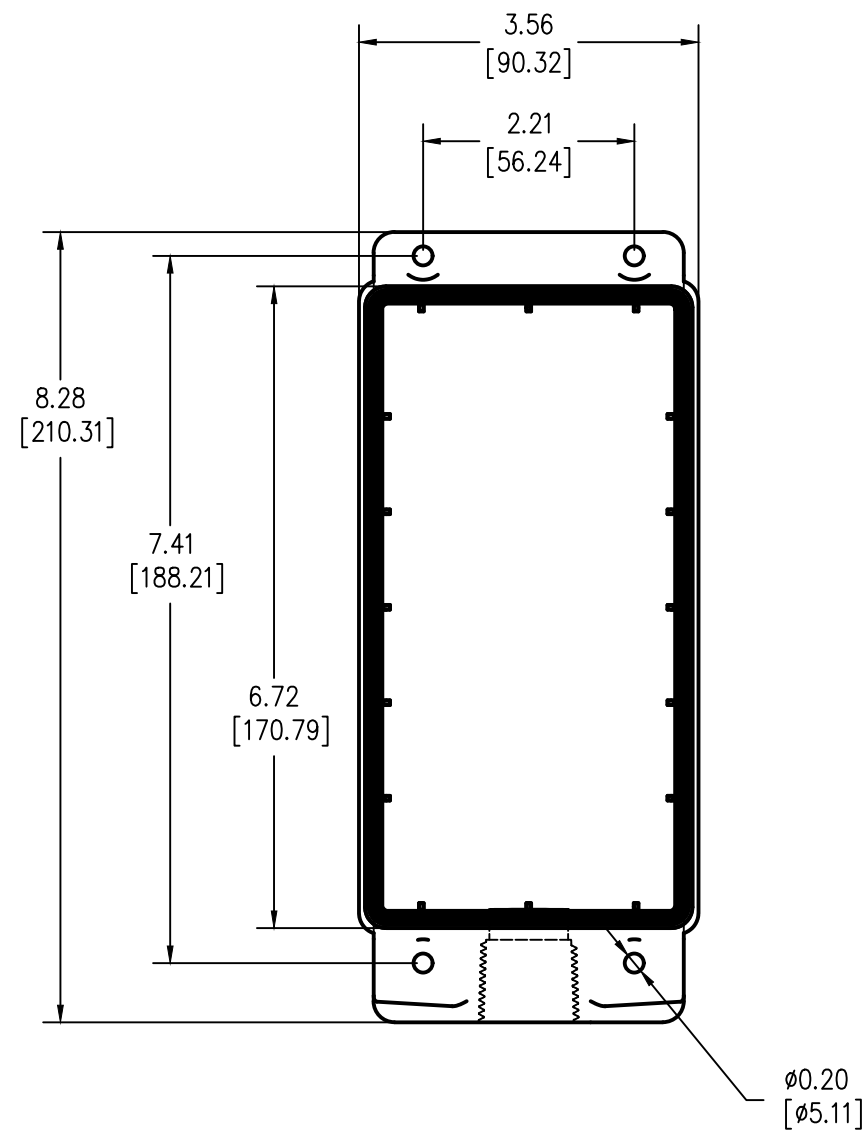
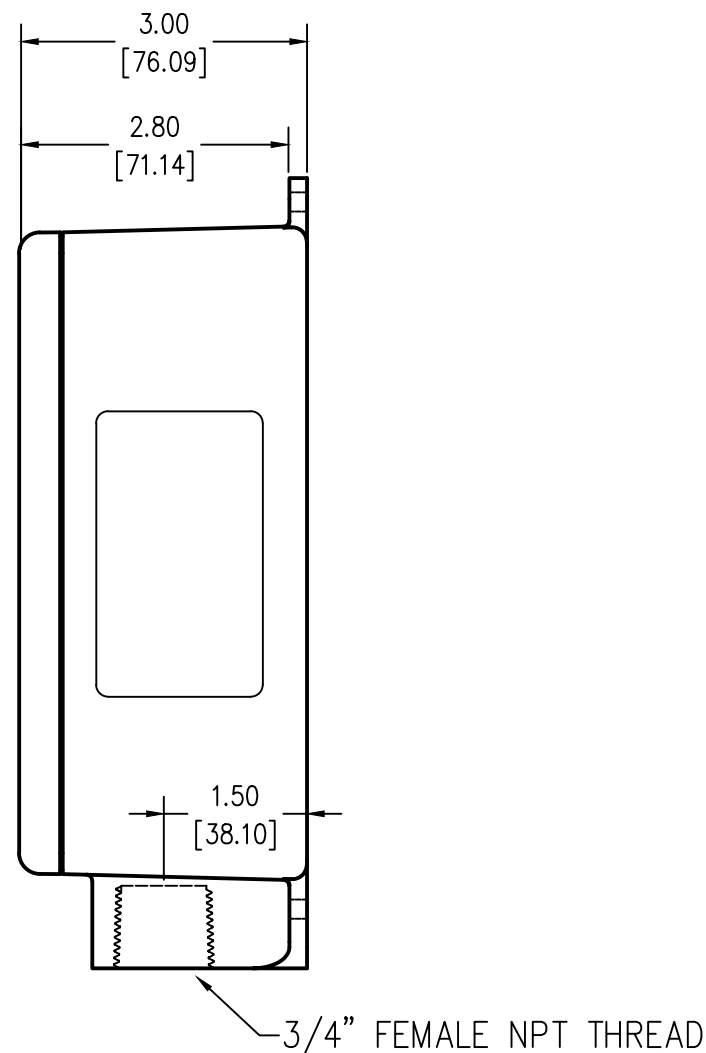


SURGE PROTECTIVE DEVICE (SPD)  
WEIGHTS & DIMENSIONS  
NEMA RATING: 4X NON METALLIC



**TOP VIEW**



**SIDE VIEW**

ENCLOSURE SPECS.  
DESC: NON-METALLIC ENCLOSURE  
DIM: 8.28"H x 3.56"W x 3.0"D  
MAT: GRAY POLYCARBONATE (5VA & F1)  
FINISH: MATTE / CLEAR LID  
NEMA RATING: 4X  
DEVICE WEIGHT: 3.0LBS. (1.4KG.)

|                  |     |                 |         |   |         |                    |
|------------------|-----|-----------------|---------|---|---------|--------------------|
| PROJECT NAME:    |     | REV. TO SHEET   | ECN NO. | BY  | APP.    | DATE               |
| SERIES 300       |     | MODEL 335       |         | <br>THIRD ANGLE PROJECTION  |         |                    |
| 36-180kA         |     | NEMA RATING: 4X |         |   |         |                    |
| DRAWN BY         | DMP | DATE            | 9/08/14 | MANUFACTURING TOLERANCES TO BE IN ACCORDANCE WITH ASCO PROCEDURE MP-1-003. FOR PLASTIC PARTS SEE MP-1-055             |         | ASSEM. REF. NO.    |
| CHECKED          | MJG | DATE            | 9/08/14 | PROPERTY OF ASCO POWER TECHNOLOGIES. USE PERMITTED FOR OUR WORK ONLY. ALL RIGHTS OF DESIGN OR INVENTION ARE RESERVED. |         | SCALE NONE SIZE BS |
| PROJECT APPROVAL | MJG | DATE            | 9/08/14 | <br>ASCO POWER TECHNOLOGIES, L.P.<br>FLORHAM PARK, NEW JERSEY 07932 U.S.A.  |         | DWG. NO. DD-TEXM   |
| FINAL APPROVAL   |     |                 |         | DRAWING REV. 0  | ECN NO. | SHEET 1 OF 1       |