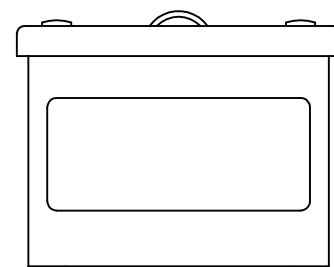
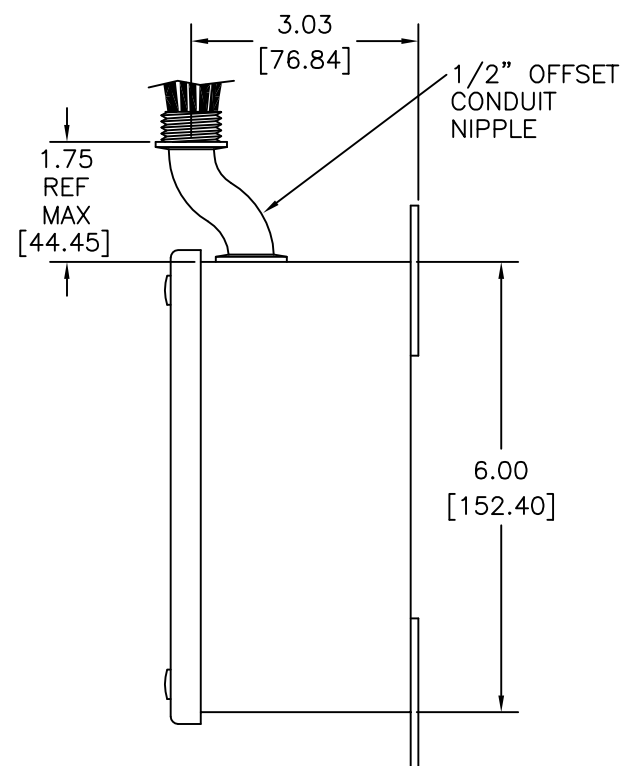
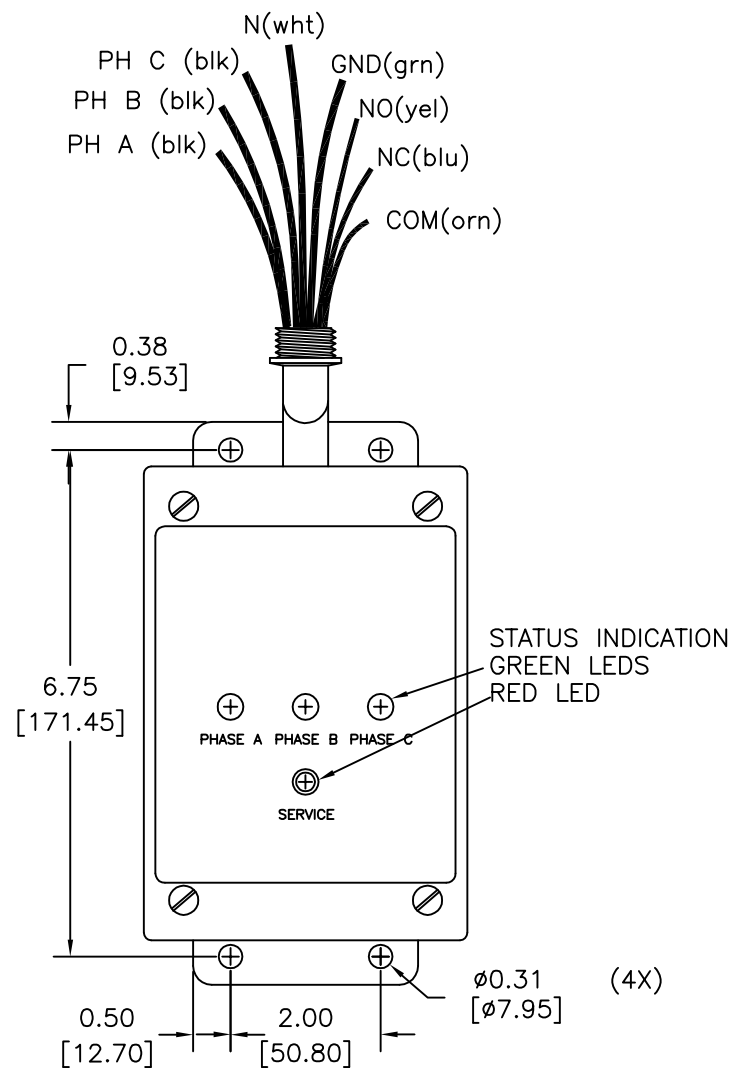
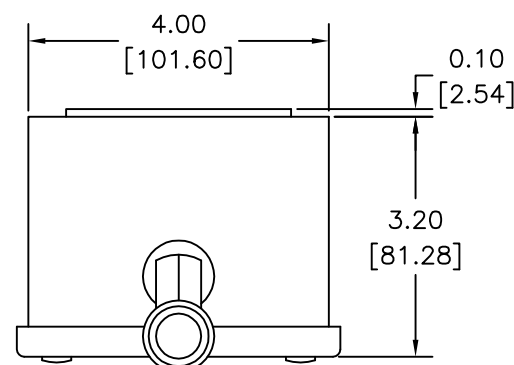


NOTES:

1. ENCLOSURE IS METAL, NEMA 12 RATED.
2. FINISH: TEXTURED POWDER COAT ANSI 61 GRAY.
3. ALL WIRES 18.50 ± 0.50 OUT OF CASE.
PHASE A-C, N, GND ARE 12 AWG, 600V, 105°C COPPER WIRE.
NO, NC, COM ARE 18 AWG, 600V, 105°C COPPER WIRE.
FORM C RELAY RATED 5A @ 125VAC.
4. RECOMMENDED CIRCUIT BREAKER SIZE: 20 AMP
5. THREE PHASE UNIT SHOWN. SINGLE PHASE CONFIGURATIONS ARE AVAILABLE.
6. APPROXIMATE WEIGHT: 8 LBS [3.63 KGS].

| REVISIONS | | | | |
|-----------|--------|---------------------|---------|------|
| REV | ECN# | DESCRIPTION | DATE | APPR |
| PRE | | PRELIMINARY RELEASE | | |
| 1 | 262639 | MODEL 355 WAS 330 | 8/11/16 | RBP |



| | | | | | | |
|------------------|-------|----------------------------|----------|---|-----------------|--------------------|
| PROJECT NAME: | | REV. TO SHEET | ECN NO. | BY | APP. | DATE |
| SERIES 300 | | MODEL 355 | | THIRD ANGLE PROJECTION | | |
| 100kA | | COMPUTER GENERATED DRAWING | | | | |
| DRAWN BY | BLEIL | DATE | 11/16/01 | MANUFACTURING TOLERANCES TO BE IN ACCORDANCE WITH ASCO PROCEDURE MP-1-003. FOR PLASTIC PARTS SEE MP-1-055 | ASSEM. REF. NO. | SCALE NONE SIZE BS |
| CHECKED | ALG | DATE | 11/01 | PROPERTY OF ASCO POWER TECHNOLOGIES. USE PERMITTED FOR OUR WORK ONLY. ALL RIGHTS OF DESIGN OR INVENTION ARE RESERVED. | | DWG. NO. |
| PROJECT APPROVAL | | DATE | 2001 | ASCO ® ASCO POWER TECHNOLOGIES, L.P. FLORHAM PARK, NEW JERSEY 07932 U.S.A. | | DD-80933 |
| FINAL APPROVAL | | | | | | DRAWING REV. 1 |