

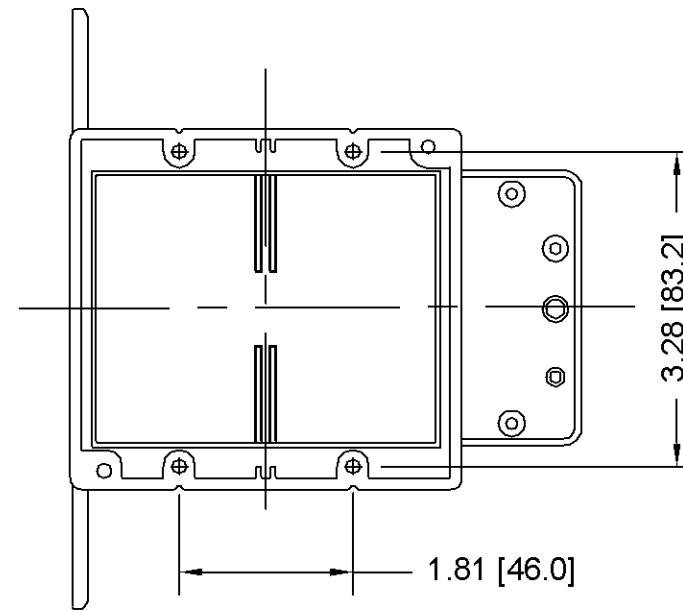
FACE PLATE
827448

WALL

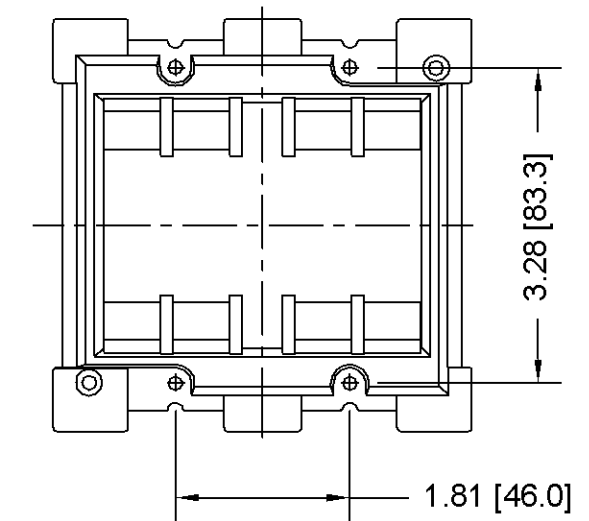
GANG BOX

PULL THE WIRES OUT AFTER
BREAKING THE APPROPRIATE
CONDUIT HOLES IN GANGBOX

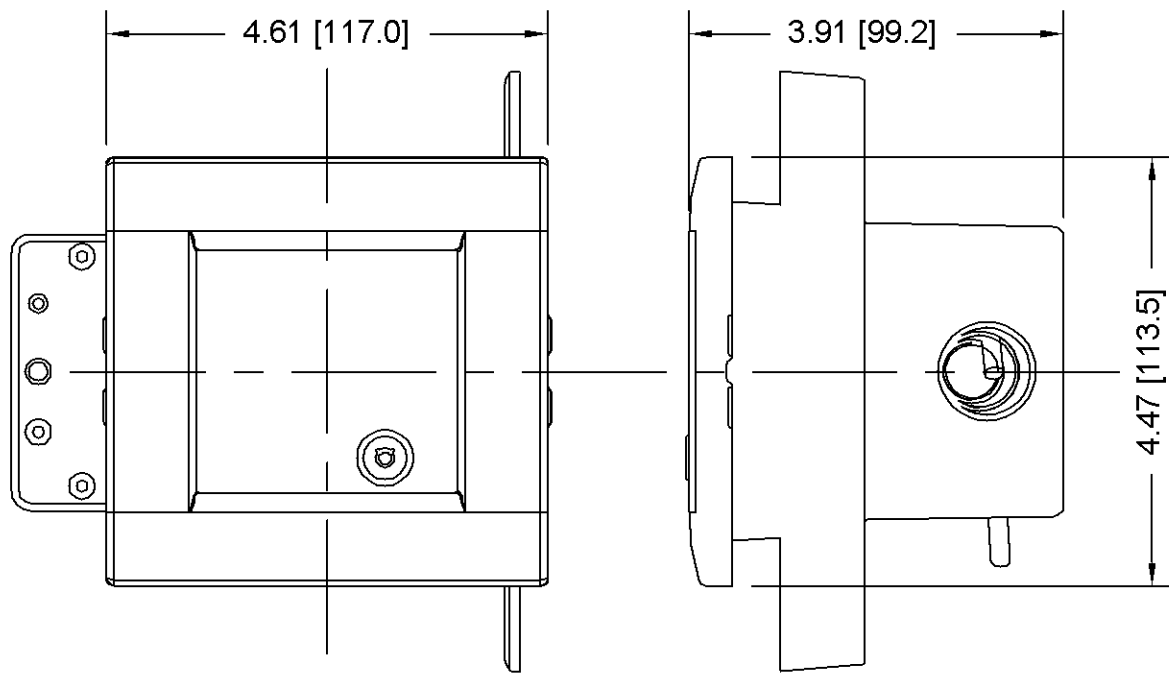
SNAP FIT THE FACE PLATE AFTER
MOUNTING THE PRODUCT TO GANG BOX.



DOUBLE GANG BOX
CARLON A238 TYPE

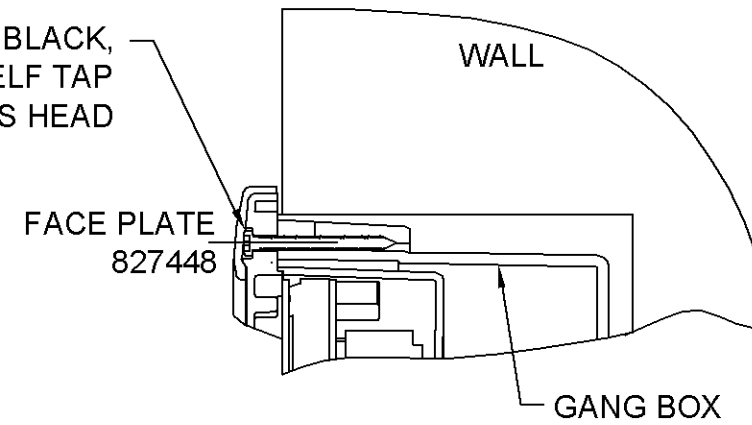


DOUBLE GANG BOX
CARLON BH234R TYPE



PRODUCT DIMENSIONS

4X SCREW, SST, BLACK,
#6 X 1", AB SELF TAP
PAN PHILLIPS HEAD



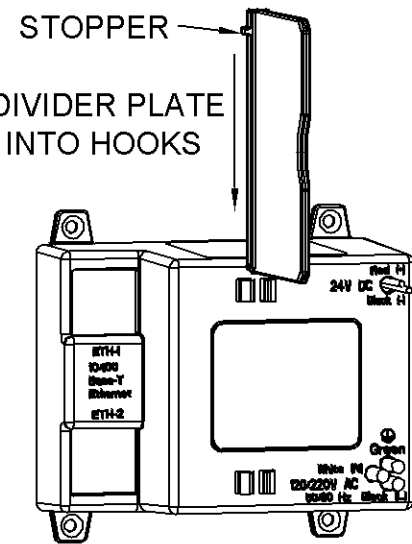
FACE PLATE
827448

WALL

GANG BOX

STOPPER

SLIDE DIVIDER PLATE
850279 INTO HOOKS



ENSURE DIVIDER PLATE(850279) IS INSTALLED
BEFORE MOUNTING THE ANNUNCIATOR FOR
ELECTRICAL SAFETY

INSTALLATION SEQUENCE :

1. REMOVE THE FACEPLATE FROM THE BEZEL BY FLIPPING THE SNAPS CAREFULLY.
2. PULL THE WIRES AND MAKE CONNECTIONS AS PER WIRING DIAGRAM.
3. FIX THE DIVIDER PLATE ONTO THE REAR COVER OF ANNUNCIATOR.
4. INSERT THE ANNUNCIATOR INTO THE GANG BOX OPENING.
5. TIGHTEN THE SCREWS TO FIX THE PRODUCT .
6. FIX THE FACE PLATE SUCH THAT PRODUCT LOGO APPEARS AT TOP SIDE.

NOTES:

1. UNLESS OTHERWISE SPECIFIED DIMENSIONS ARE IN inch [mm].
2. RECOMMENDED GANG BOXES: A238, BH234R, B232B-UPC, B225R-UPC, BH235, CARLON MAKE OR EQUIVALENT UL RATED GANG BOX.

USED ON INSTALLATION MANUAL 381333-317

PROJECT NAME: XD-1047-1CH		REV. TO SHEET	ECN NO.	BY	APP.	DATE
INSTALLATION DRAWING		MOUNTING		THIRD ANGLE PROJECTION		
ATS REMOTE ANNUNCIATOR - 1 CH						
BY	DATE	MANUFACTURING TOLERANCES TO BE IN ACCORDANCE WITH ASCO PROCEDURE MP-1-003. FOR PLASTIC PARTS SEE MP-1-055		ASSEM. REF. NO.		
DRAWN BY	CHL	09/07	PROPERTY OF ASCO POWER TECHNOLOGIES. USE PERMITTED FOR OUR WORK ONLY. ALL RIGHTS OF DESIGN OR INVENTION ARE RESERVED.			
CHECKED	JAV	03/08	ASCO ASCO POWER TECHNOLOGIES, L.P. FLORHAM PARK, NEW JERSEY 07932 U.S.A.			
PROJECT APPROVAL						
FINAL APPROVAL	JEH	03/08	COMPUTER GENERATED DRAWING		SCALE	1:1
			DWG. NO.		SIZE	BS
			834979		DRAWING REV.	A
			ECN NO.	223488	SHEET 1 OF 2	

change letter A
ECN 223488

1 CH ATS REMOTE ANNUNCIATOR - PACKING LIST

834979

PACKING LIST FOR ASCO PART NUMBER 827420		
Item	#	Description
1	1	ATS Remote Annunciator Assembly 1CH
2	1	Face Plate
3	1	Divider Plate for Gang Box
4	2	Keys for Keylock Switch
5	1	User Guide for ATS Remotes Annunciator 1 CH
6	1	Installation Guide for ATS Remote Annunciator 1 CH
7	5	Wire Nut
8	4	#6 x 1.00" Screw for Gang Box
9	1	Gang Box Carlon A238

ASCO Power Technologies, L.P.
Florham Park, NJ 07932

Property of ASCO Power Technologies, L.P. Use permitted for our work only. All rights of design and invention are reserved.

sheet 2 of 2