

# OUTLINE & MOUNTING FOR ASCO SERIES H911 TRANSFER SWITCHES

## RATED 600 THRU 1200 AMPS

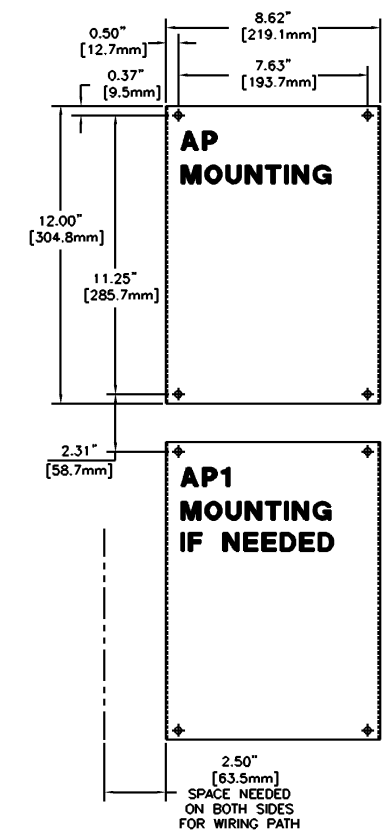
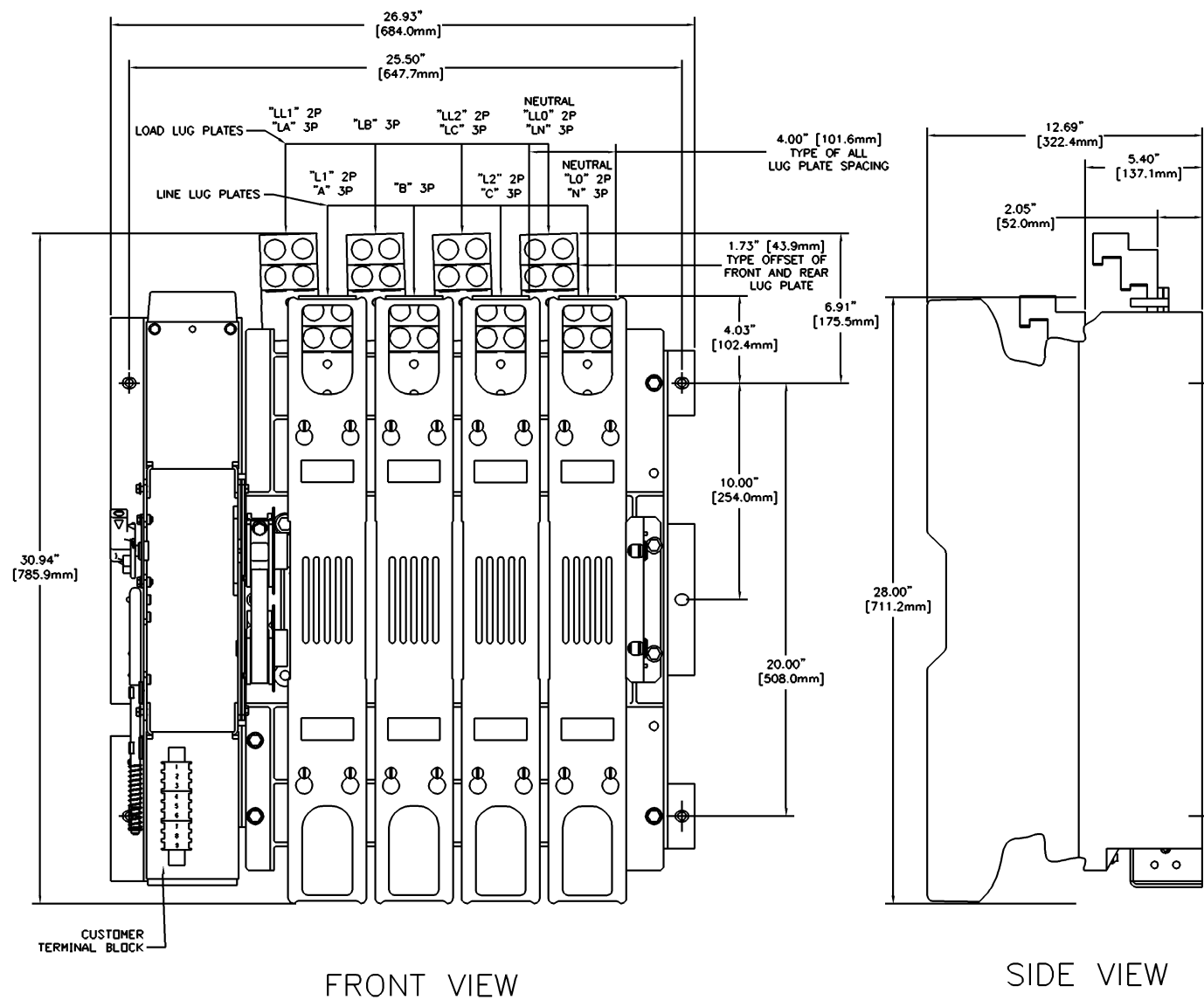


FIG A.

- GENERAL NOTES**
1. FOR TWO POLE SWITCHES OMIT CENTER POLE.
  2. MAINTAIN ELECTRICAL CLEARANCE OF 1.00 IN., 25.4 MM MINIMUM BETWEEN LIVE METAL PARTS AND GROUNDED METAL.
  3. CONTACT FACTORY FOR BUS CONNECTION DIMENSIONS.
  4. REFER TO COMPOSITE DRAWING 724242 FOR 600-1200A WIRING DIAGRAM, REFER TO COMPOSITE DRAWING 405387 FOR 600-1200 AMP OPEN TYPE DIMENSIONS, REFER TO COMPOSITE DRAWING JS 405388 FOR ENCLOSURE DIMENSIONS.
  5. ACCESSORY MOUNTING FOR 600-1200 AMP UNITS IS ACCOMPLISHED BY THE USE OF DOOR MOUNTED ADD-ON PANELS. (SEE FIG A FOR MOUNTING DIMENSIONS)
  6. AN OPERATOR'S MANUAL IS FURNISHED WITH EACH REMOTE CONTROL SWITCH. REFER TO THIS PUBLICATION PRIOR TO INSTALLATION AND OPERATION OF THE SWITCH.

### CABLING NOTES

1. ALL SIZES SUPPLIED STANDARD WITH MECHANICAL (SCREW TYPE) LUGS. (SEE AMP SIZE BELOW)
  - A. LUG MATERIAL: ALUMINUM ALLOY 6061-T6 WITH ELECTRO TIN PLATED FINISH.
  - B. SCREW MATERIAL: ALUMINUM ALLOY 6262-T9 WITH ELECTRO TIN PLATED FINISH.
  - C. UL LISTED, CSA CERTIFIED.
  - D. LUG SCREW TIGHTENING TORQUE PER UL 486B: 19 FT-LBS.

MINIMUM REQUIRED ENCLOSURE SIZE INCH (mm)

| SWITCH RATING (AMPS) | HEIGHT      | WIDTH       | DEPTH      |
|----------------------|-------------|-------------|------------|
| 600,800,1000         | 72 (1828.8) | 34 (863.6)* | 20 (508)   |
| 1200                 | 87 (2209.8) | 38 (965.2)  | 23 (584.2) |

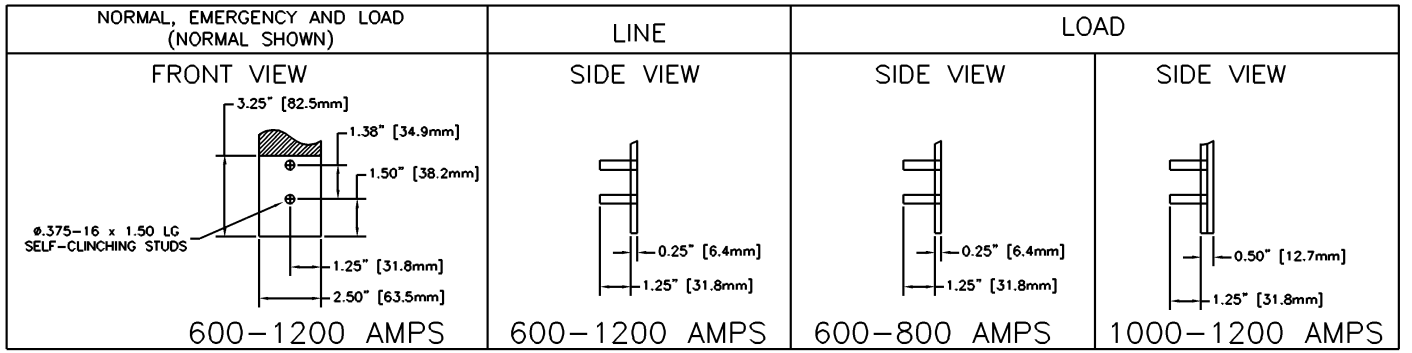
\*1200 AMPS\* NEEDS VENTILATION TOP AND BOTTOM.

APPROXIMATE SHIPPING WEIGHT, LBS (KG)

| AMPERES   | POLES | WEIGHT   |
|-----------|-------|----------|
| 600-800   | 2     | 119 (54) |
| 1000-1200 | 2     | 131 (59) |

MAXIMUM BUS BAR BOLTING SURFACE (PER PHASE) 3.25" [82,6mm] x 2.50" [63,5mm]

BUS TERMINATION DETAIL



COMPUTER GENERATED DRAWING

**ASCO** ASCO POWER TECHNOLOGIES, L.P.  
FLORHAM PARK, NEW JERSEY 07932 U.S.A.

PROPERTY OF ASCO POWER TECHNOLOGIES  
USE PERMITTED FOR OUR WORK ONLY.  
ALL RIGHTS OF DESIGN OR INVENTION ARE RESERVED.

|           |    |      |                             |                             |                             |                             |                             |
|-----------|----|------|-----------------------------|-----------------------------|-----------------------------|-----------------------------|-----------------------------|
| DRAWN     | GM | 1/89 | <input type="checkbox"/> AL | <input type="checkbox"/> AP | <input type="checkbox"/> CE | <input type="checkbox"/> AS | <input type="checkbox"/> AN |
| CHECKED   | NS | 1/89 | <input type="checkbox"/> AD | <input type="checkbox"/> AA | <input type="checkbox"/>    | <input type="checkbox"/>    | <input type="checkbox"/>    |
| DFTG APVL | NS | 1/89 |                             |                             |                             |                             |                             |
| ENGR APVL | FM | 1/89 |                             |                             |                             |                             |                             |

CATALOG NO. \_\_\_\_\_  
CERTIFIED

To **ASCO**® s.o. \_\_\_\_\_  
DATE \_\_\_\_\_ BY \_\_\_\_\_

INCHES  
MM

THIRD ANGLE  
PROJECTION

**COMPOSITE OUTLINE AND MOUNTING DIMENSIONS FOR OPEN TYPE 2 OR 3 POLE 600 THROUGH 1200 AMP**

**ASCO**® 911 REMOTE CONTROL SWITCHES

|        |           |     |       |      |
|--------|-----------|-----|-------|------|
| 163450 | SEE ECN   | E   | 4/03  | BWM  |
| 161836 | SEE ECN   | D   | 10/02 | BK   |
| 160019 | ADD H DES | C   | 5/02  | BWM  |
| 128798 | DIM CHART | B   | 2/94  | FM   |
| 108700 | DIM CHART | A   | 5/89  | FM   |
| 106387 | ISSUED    | -   | 1/89  | FM   |
| ER NO  | ITEM CHGD | CHG | DATE  | APVL |

**DS 405387**

CHG LTR E | | | | | OF |