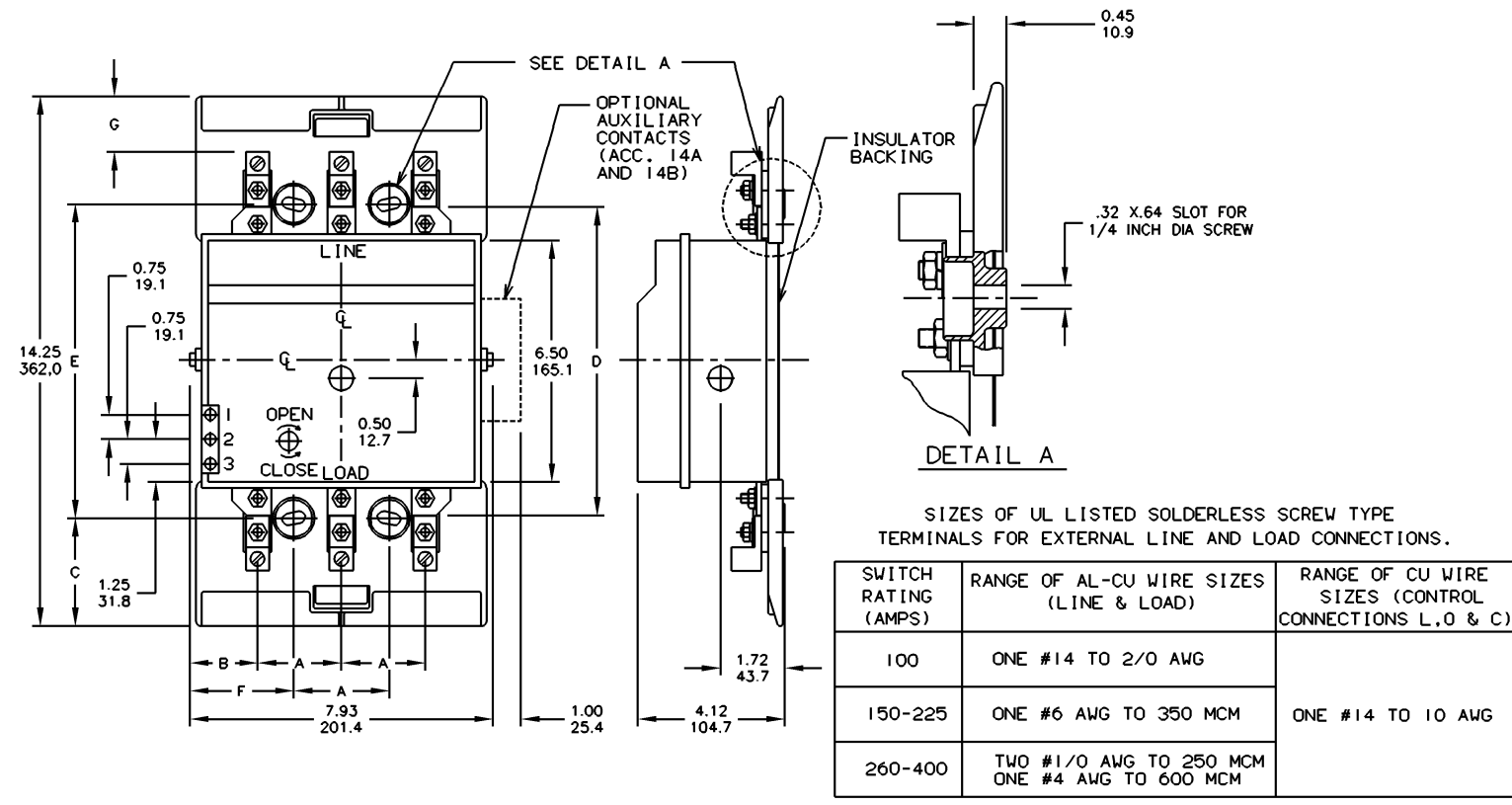
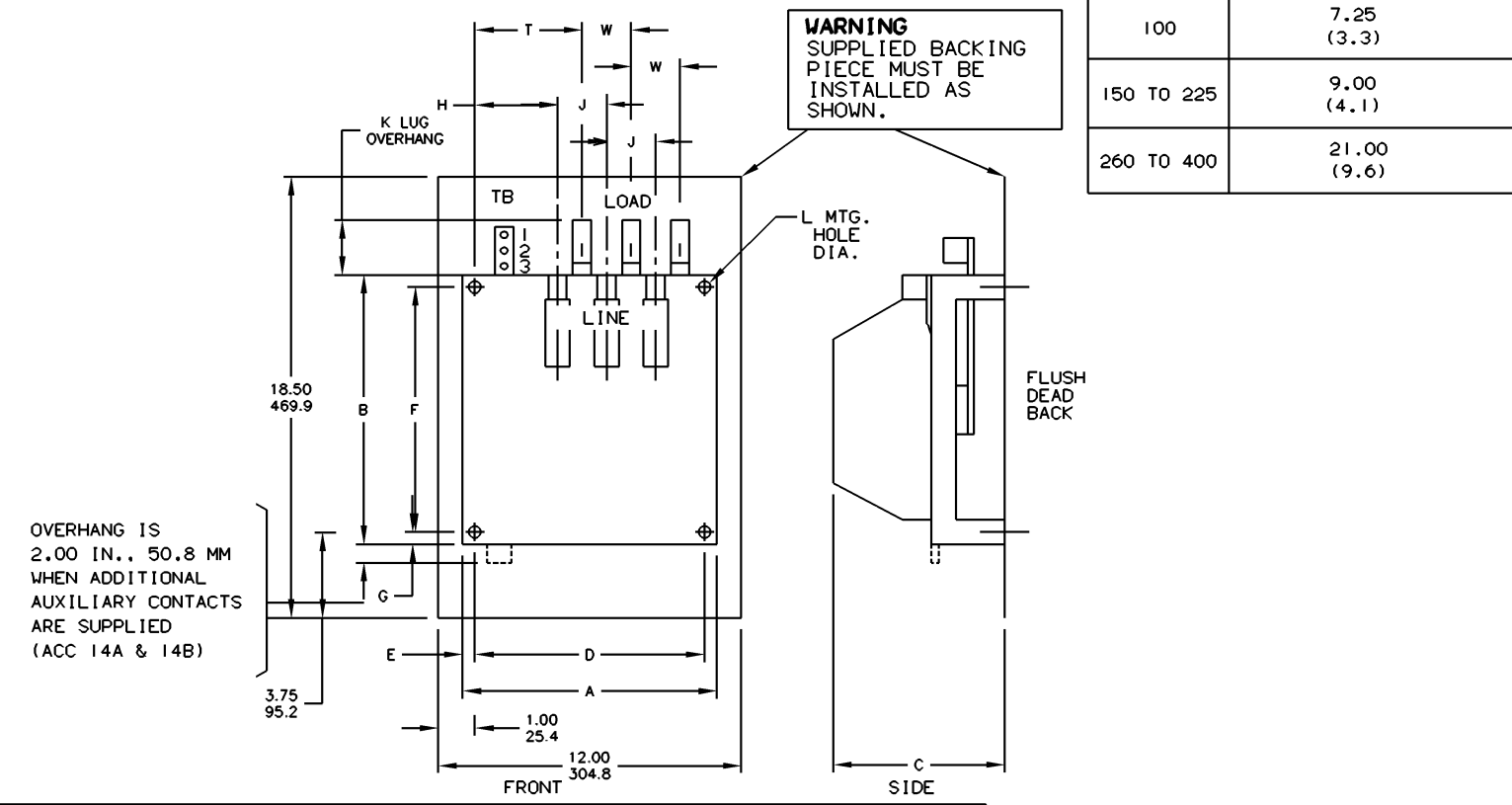


AMP SIZE	OPEN TYPE DIMENSIONS (WITH AND WITHOUT SUB PANEL)						
	A	B	C	D	E	F	G
100A	2.25 57.2	1.71 43.4	2.94 74.7	8.31 211.1	8.37 212.6	2.83 71.9	1.44 36.6
150A-225A	2.87 72.9	1.08 27.4	2.87 72.9	9.50 241.3	8.50 215.9	2.52 64.0	0.31 7.1

**100 THRU 225 AMP**



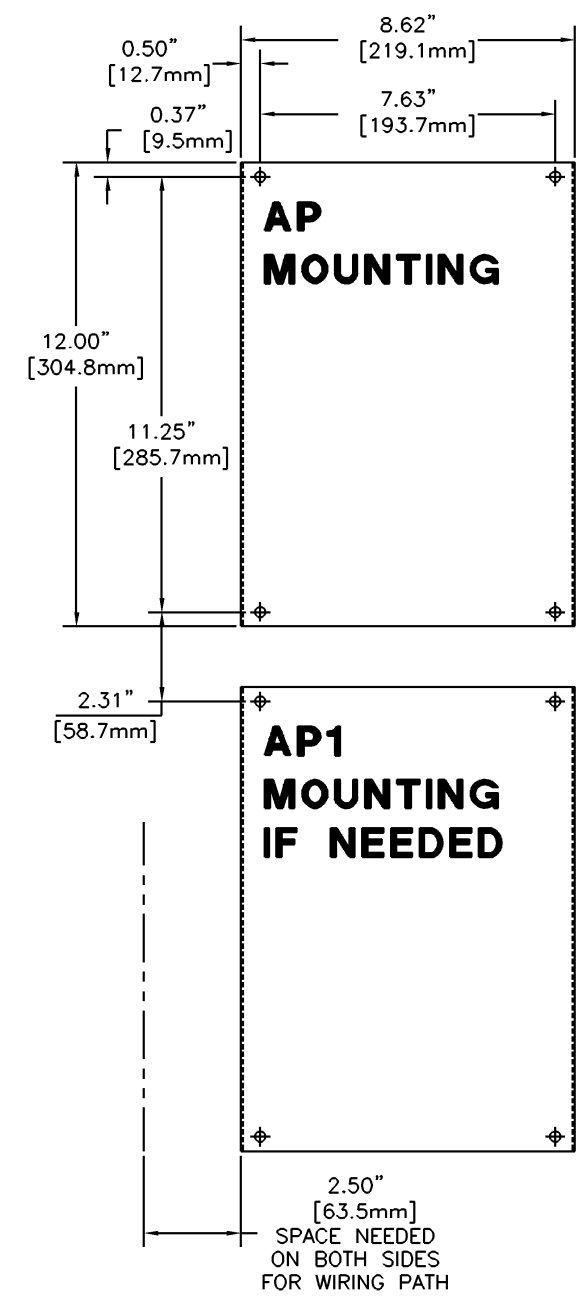
**260 AND 400 AMP.**



DIMENSIONS FOR 260 AND 400 AMP

A	B	C	D	E	F	G	H	J	K	L	T	W
11.00 279.4	12.00 304.8	6.87 174.5	10.00 254.0	0.50 12.7	11.00 279.4	0.50 12.7	3.87 98.3	2.12 53.8	2.12 53.8	0.31 Ø7.9	4.93 125.2	2.12 53.8

AMP SIZE	NET WEIGHT POUNDS (KG)
100	7.25 (3.3)
150 TO 225	9.00 (4.1)
260 TO 400	21.00 (9.6)

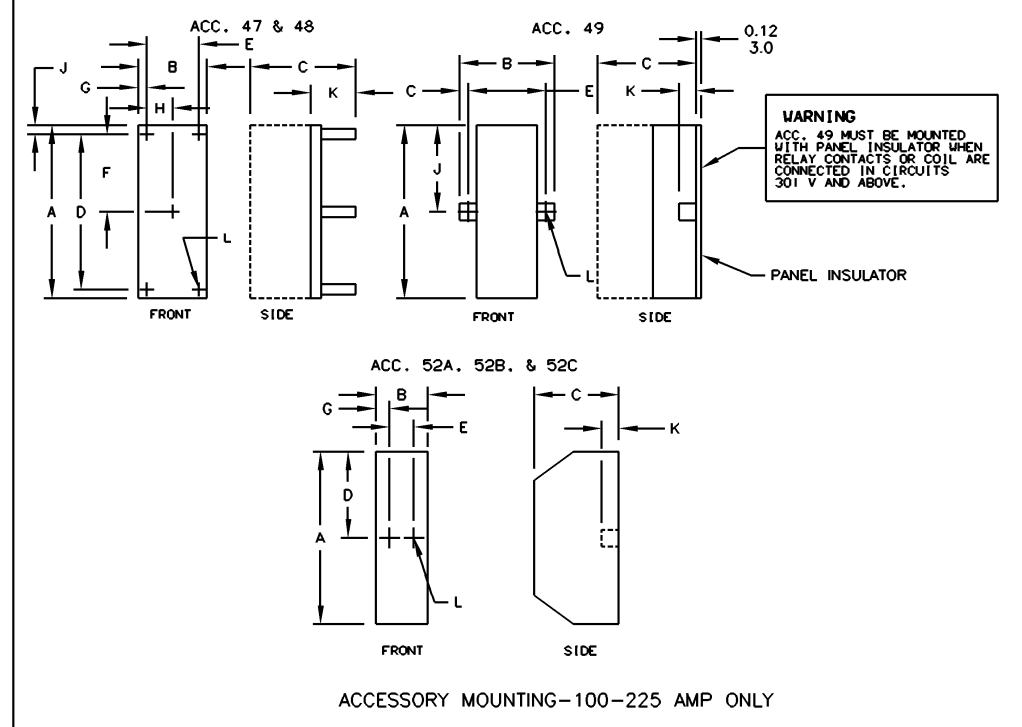


ACCESSORY MOUNTING-260-1200 AMP ONLY

- GENERAL NOTES**
- FOR TWO POLE SWITCHES OMIT CENTER POLE.
  - MAINTAIN ELECTRICAL CLEARANCE OF 1.00 IN., 25.4 MM MINIMUM BETWEEN LIVE METAL PARTS AND GROUNDED METAL.
  - CONTACT FACTORY FOR BUS CONNECTION DIMENSIONS.
  - REFER TO COMPOSITE DRAWING 355634 FOR 100-400A WIRING DIAGRAM. REFER TO COMPOSITE DRAWING 724242 FOR 600-1200A WIRING DIAGRAM. REFER TO COMPOSITE DRAWING 405387 FOR 600-1200 AMP OPEN TYPE DIMENSIONS. REFER TO COMPOSITE DRAWING JS 405388 FOR ENCLOSURE DIMENSIONS.
  - AN OPERATOR'S MANUAL IS FURNISHED WITH EACH REMOTE CONTROL SWITCH. REFER TO THIS PUBLICATION PRIOR TO INSTALLATION AND OPERATION OF THE SWITCH.
  - ACCESSORY MOUNTING DEPENDS ON AMP SIZE. SEE BELOW.

OPT ACC	DESCRIPTION	OPTIONAL ACCESSORIES OPEN TYPE DIMENSIONS										
		A	B	C	D	E	F	G	H	J	K	L
47	RELAY FOR TWO WIRE CONTROL	6.50	2.00	3.37	6.12	1.62	3.06	0.18	0.81	0.18	0.87	0.17
48	RELAY FOR THREE WIRE CONTROL	105.1	50.8	85.6	155.4	41.1	77.7	4.6	20.6	4.6	22.1	Ø4.3
49	FORM THREE CONTROL RELAY	3.18	1.87	3.12	—	1.62	—	3.0	—	1.59	0.25	0.16
52A	ONE (1) FUSE-300V AC MAXIMUM-GROUNDED	80.7	47.5	79.2	—	41.1	—	—	—	40.4	6.4	Ø4.1
52B	TWO (2) FUSES-300V AC MAXIMUM-UNGROUNDED	3.00	0.85	1.14	1.50	0.36	—	0.25	—	—	0.16	0.14
52C	TWO (2) FUSES-301-600V AC-UNGROUNDED	76.2	21.6	29.0	38.1	9.1	—	6.4	—	—	4.1	Ø3.6

**OPTIONAL ACCESSORIES**



CATALOG NO. \_\_\_\_\_  
 CERTIFIED  
 TO ASCO® s. o. \_\_\_\_\_  
 DATE \_\_\_\_\_ BY \_\_\_\_\_

COMPUTER GENERATED DRAWING

**ASCO** ASCO POWER TECHNOLOGIES, L.P.  
 FLORHAM PARK, NEW JERSEY 07932 U.S.A.

BY	DATE	PROPERTY OF AUTOMATIC SWITCH CO. USE PERMITTED FOR OUR WORK ONLY. ALL RIGHTS OF DESIGN OR INVENTION ARE RESERVED.
DRAWN CC	1/89	<input type="checkbox"/> AL <input type="checkbox"/> AP <input type="checkbox"/> CE <input type="checkbox"/> AS <input type="checkbox"/> AN <input type="checkbox"/> AD <input type="checkbox"/> AA <input type="checkbox"/> <input type="checkbox"/> <input type="checkbox"/>
CHECKED NS	1/89	
DFTG APVL NS	1/89	
ENGR APVL FM	1/89	

**COMPOSITE OUTLINE AND MOUNTING DIMENSIONS FOR OPEN TYPE 2 OR 3 POLE 100 THROUGH 400 AMP**

**ASCO® 911 REMOTE CONTROL SWITCHES**

163450	SEE ECN	G	4/03	BWM
150085	SEE ECN	F	12-11-98	JJC
133964	SEE ECN	E	3/22/95	JW
133266	SEE ECN	D	1/27/94	FM
119013	SEE ECN	C	122091	RJ
113780	SEE ECN	B	091990	RJ
112512	SEE ECN	A	041990	RJ
106387	ISSUED	-	1/89	FM
ER NO	ITEM CHGD	CHG	DATE	APVL
DS	405386			
CHG LTR	G			