

OUTLINE & MOUNTING FOR ASCO® (D175, E175) SERIES TRANSFER SWITCHES, RATED 30 - 400 AMPERES

TYPE 1 AND 2 ENCLOSURES

| AMP SIZE | FIG NO | DIMENSIONS | | | | | |
|-----------------------------|--------|----------------|-----------------|----------------|----------------|--------------|-----------------|
| | | A | B | C | D | E | F |
| 30, 70 100, 150 & 200 | 1 | 17.50 444.5 | 31.00 787.4 | 11.62 295.1 | 14.50 368.3 | 1.50 38.1 | 28.00 711.2 |
| 230, 260 & 400 | | 18.00 457.2 | 48.00 1219.2 | 13.00 330.2 | 15.00 381.0 | 1.50 38.1 | 45.00 1143.0 |
| | | G | H | | | | |
| 30, 70 100, 150 & 200 | 1 | 1.50 38.1 | 0.37 Ø9.4 | | | | |
| 230, 260 & 400 | | 1.50 38.1 | 0.37 Ø9.4 | | | | |

SIZES OF UL LISTED SOLDERLESS SCREW TYPE
TERMINALS FOR EXTERNAL LINE AND LOAD CONNECTIONS.

| SWITCH RATING (AMPS) | RANGE OF AL-CU WIRE SIZES (LINE & LOAD) | RANGE OF CU WIRE SIZES (CONTROL CONNECTIONS 1, 2 & 3) |
|----------------------|---|---|
| 30-150 | ONE #14 TO 4/0 AWG | ONE #14 TO 10 AWG |
| 200-230 | ONE #14 TO 4/0 AWG COPPER WIRE | |
| 260 & 400 | TWO #1/0 AWG TO 250 MCM OR ONE #4 AWG TO 600 MCM | |

TYPE 3R, 4, 4X AND 12 ENCLOSURES

| AMP SIZE | FIG NO | DIMENSIONS | | | | | |
|-----------------------------|--------|----------------|-----------------|----------------|----------------|--------------|-----------------|
| | | A | B | C | D | E | F |
| 30, 70 100, 150 & 200 | 2 | 17.50 444.5 | 32.50 825.5 | 11.62 295.1 | 11.5 292.1 | 3.00 76.2 | 33.75 857.3 |
| 230, 260 & 400 | | 18.00 457.2 | 48.00 1219.2 | 13.00 330.2 | 12.00 304.8 | 3.00 76.2 | 49.25 1251.0 |
| | | G | H | | | | |
| 30, 70 100, 150 & 200 | 2 | 0.62 15.7 | 0.43 Ø10.9 | | | | |
| 230, 260 & 400 | | 0.62 15.7 | 0.43 Ø10.9 | | | | |

APPROXIMATE SHIPPING WEIGHT, LBS (KG)

| AMP SIZE | POLES | WEIGHT | |
|--------------|-------|-------------|----------------|
| | | TYPES 1 & 2 | 3R, 4, 4X & 12 |
| 30 - 200 | 2 | 59 (27) | 74 (34) |
| | 3 | 62 (28) | 77 (35) |
| 230 | 2 | 92 (42) | 109 (49) |
| | 3 | 95 (43) | 110 (50) |
| 260 & 400 | 2 | 107 (49) | 122 (55) |
| | 3 | 115 (52) | 130 (59) |

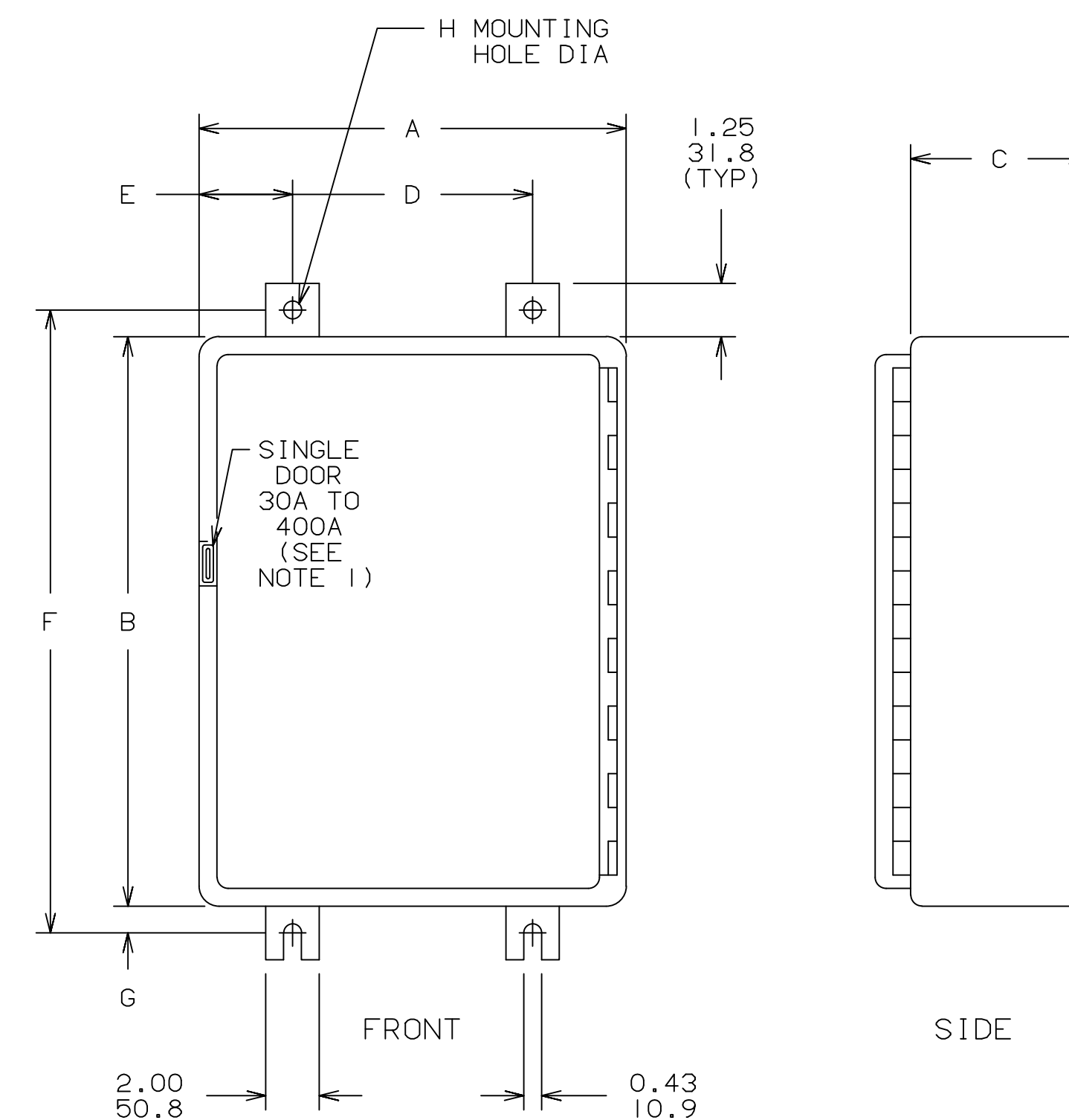
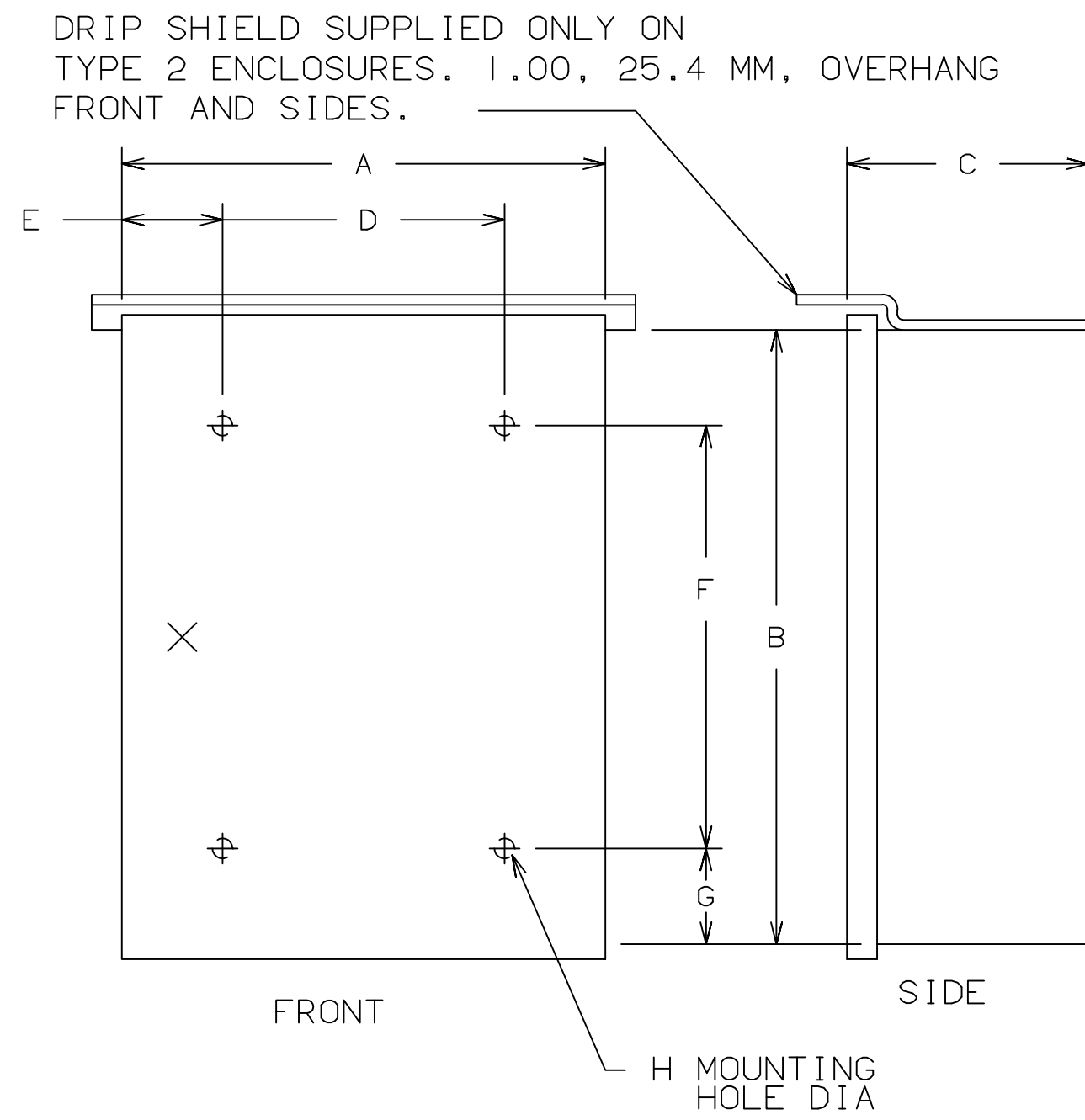


FIGURE 1 ① ② ④ TYPE 1
① ② ⑤ TYPE 2

- REMOVABLE SINGLE DOOR HINGED ON RIGHT SIDE WITH KEY LOCKING HANDLE. SINGLE CENTER LATCH WITH CAPTIVE SCREWS ON TOP AND BOTTOM ON 260 & 400 AMP.
- FULL WIRING GUTTERS AND 0.75-0.50 DIA. Ø19.1-Ø12.7 MM. COMBINATION PILOT KNOCKOUTS PROVIDED TOP AND BOTTOM ONLY.
- TYPE 1 CAN BE SUPPLIED WITH GASKETING TO PROVIDE A DUST SEAL.
- FLUSH MOUNTED TYPES HAVE REMOVABLE FLUSH DOOR AND TRIM. TRIM OVERLAPS 1.00, 25.4 MM, ON ALL SIDES.
- TYPE 2 ENCLOSURES ARE PROVIDED WITH A TOP MOUNTED DRIP SHIELD THAT EXTENDS BEYOND THE FRONT AND SIDES OF THE ENCLOSURE. PILOT KNOCKOUT PROVIDED IN BOTTOM ONLY.

GENERAL NOTES

(FIGURE 1)

- ENCLOSURES CONSTRUCTED IN ACCORDANCE WITH UL STANDARD 508
- TYPE 1 AND 2 WALL MOUNTED ENCLOSURE.
- STANDARD FINISH - LIGHT GREY, ANSI 61.
- TERMINALS - SCREW TYPE LUGS FOR EXTERNAL POWER CONNECTIONS.
- WIDTH, HEIGHT, AND DEPTH DIMENSIONS ARE INSIDE DIMENSIONS.
- REFER TO COMPOSITE DRAWING 355504-001 FOR WIRING DIAGRAM.
REFER TO COMPOSITE DRAWING 405389-001 FOR OPEN TYPE DIMENSIONS.
- AN OPERATOR'S MANUAL IS FURNISHED WITH EACH REMOTE CONTROL SWITCH. REFER TO THIS PUBLICATION PRIOR TO INSTALLATION AND OPERATION OF THE SWITCH.**

GENERAL NOTES

(FIGURE 2)

- ENCLOSURES CONSTRUCTED IN ACCORDANCE WITH UL STANDARD 508
- TYPE 3R/4/4X/12 WALL MOUNTED ENCLOSURE.
- STANDARD FINISH TYPE 3R/4/12: ANSI 61 GRAY. POLYESTER POWDER STANDARD. UL RECOGNIZED. OTHER ANSI COLORS AVAILABLE CONSULT FACTORY.
TYPE 4X (U) EXTERIOR CONSTRUCTED OF CODE GAUGE TYPE 316 STAINLESS STEEL.
TYPE 4X (H) EXTERIOR CONSTRUCTED OF CODE GAUGE TYPE 304 STAINLESS STEEL.
- SINGLE DOOR, RIGHT SIDE HINGE, LEFT SIDE PADLOCK HASP, PLATED DOOR CLAMPS (SS FOR 4X)(LEFT SIDE FOR TYPES 3R & 12; LEFT, TOP & BOTTOM FOR TYPE 4 & 4X).
- TERMINALS - SCREW TYPE LUGS FOR EXTERNAL POWER CONNECTIONS.
- WIDTH, HEIGHT, AND DEPTH DIMENSIONS ARE OUTSIDE DIMENSIONS.
- FULL WIRING GUTTERS PROVIDED TOP AND BOTTOM.
- NO KNOCKOUTS PROVIDED
- REFER TO COMPOSITE DRAWING 355504-001 FOR WIRING DIAGRAM.
REFER TO COMPOSITE DRAWING 405389-001 FOR OPEN TYPE DIMENSIONS.
- AN OPERATOR'S MANUAL IS FURNISHED WITH EACH REMOTE CONTROL SWITCH. REFER TO THIS PUBLICATION PRIOR TO INSTALLATION AND OPERATION OF THE SWITCH.**

| | | | | |
|---|---------|-----|-----|----------|
| C | 270239 | TR | BK | 12/11/17 |
| | SEE ECN | | | |
| B | 213589 | WK | BK | 05/31/07 |
| | SEE ECN | | | |
| A | 206713 | AJM | BK | 11/21/05 |
| | SEE ECN | | | |
| - | 161840 | BK | BWM | 11/02 |
| | ISSUE | | | |

| | | | | | | |
|------------------|------|---|---------|-----------------|---|-----------------------------|
| PROJECT NAME: | | REV. TO SHEET | ECN NO. | BY | APP. | DATE |
| OUTLINE | | | | | | |
| 175 SERIES TS | | | | | | |
| 30-400 AMPS | | | | | | |
| BY | DATE | MANUFACTURING TOLERANCES TO BE IN ACCORDANCE WITH ASCO PROCEDURE MP-1-003. FOR PLASTIC PARTS SEE MP-1-005 | | ASSEM. REF. NO. | COMPUTER GENERATED DRAWING | |
| DRAWN BY | BK | 11/02 | | | SCALE | 1:1 SIZE DS |
| CHECKED | | | | | PROPERTY OF ASCO POWER TECHNOLOGIES. USE PERMITTED FOR OUR WORK ONLY. ALL RIGHTS OF DESIGN OR INVENTION ARE RESERVED. | |
| PROJECT APPROVAL | | | | | DWG. NO. | 405390-001 |
| FINAL APPROVAL | WK | 11/02 | | | DRAWING C | ECN NO. 270239 SHEET 1 OF 1 |