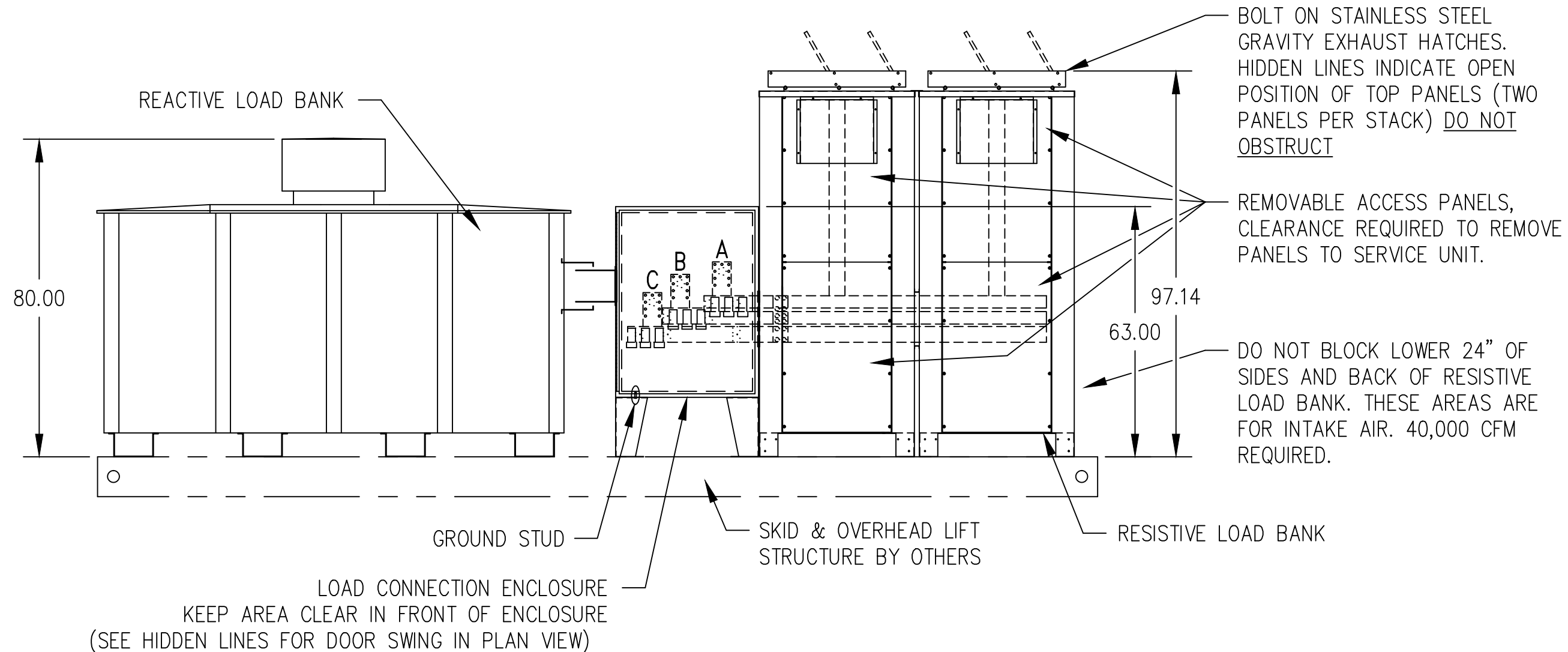


ELEVATION VIEW



7. PROVIDE ACCESS TO MOUNTING LOCATION FOR THROUGH HARDWARE HOLE AND SLOT LOCATION AS SHOWN. (8 PLACES FOR LOAD BANKS AND 6 PLACES FOR LOAD CONNECTION ENCLOSURE)
6. PARCELS OF RESISTIVE EXHAUST AIR WILL REACH 500°F OVER AMBIENT. MAXIMUM INTAKE AIR TEMPERATURE IS 120°F. SEE MANUAL FOR DETAILED INSTALLATION & SITE CONDITIONS.
5. PROVIDE AN OPEN & CLEAR VERTICAL EXHAUST FIELD ABOVE THE RESISTIVE LOAD BANK FOR HEATED AIR. SEE MANUAL.
4. OVERHEAD STRUCTURE & BASE/SKID STRUCTURE NOT SHOWN. OUTLINE OF BASE SHOWN IN PHANTOM FOR REFERENCE ONLY.
3. THE MOUNTING HOLES & SLOTS SHOWN ARE REQUIRED IN BASE OF OVERHEAD LIFT STRUCTURE.
2. ALL DIMENSIONS ARE APPROX.
1. WEIGHT: SEE SHEET 3

NOTES:

PLEASE NOTE: SAMPLE ONLY.
TWO BAY RESISTIVE UNIT AND 116" LENGTH REACTIVE UNIT SHOWN. OTHER RATED UNITS AVAILABLE. CONSULT FACTORY.

RESISTIVE UNIT SHOWN WITH OPTIONAL GRAVITY LOUVERS. EXHAUST HOODS ARE STANDARD, NOT SHOWN.

ASCO Power Technologies®

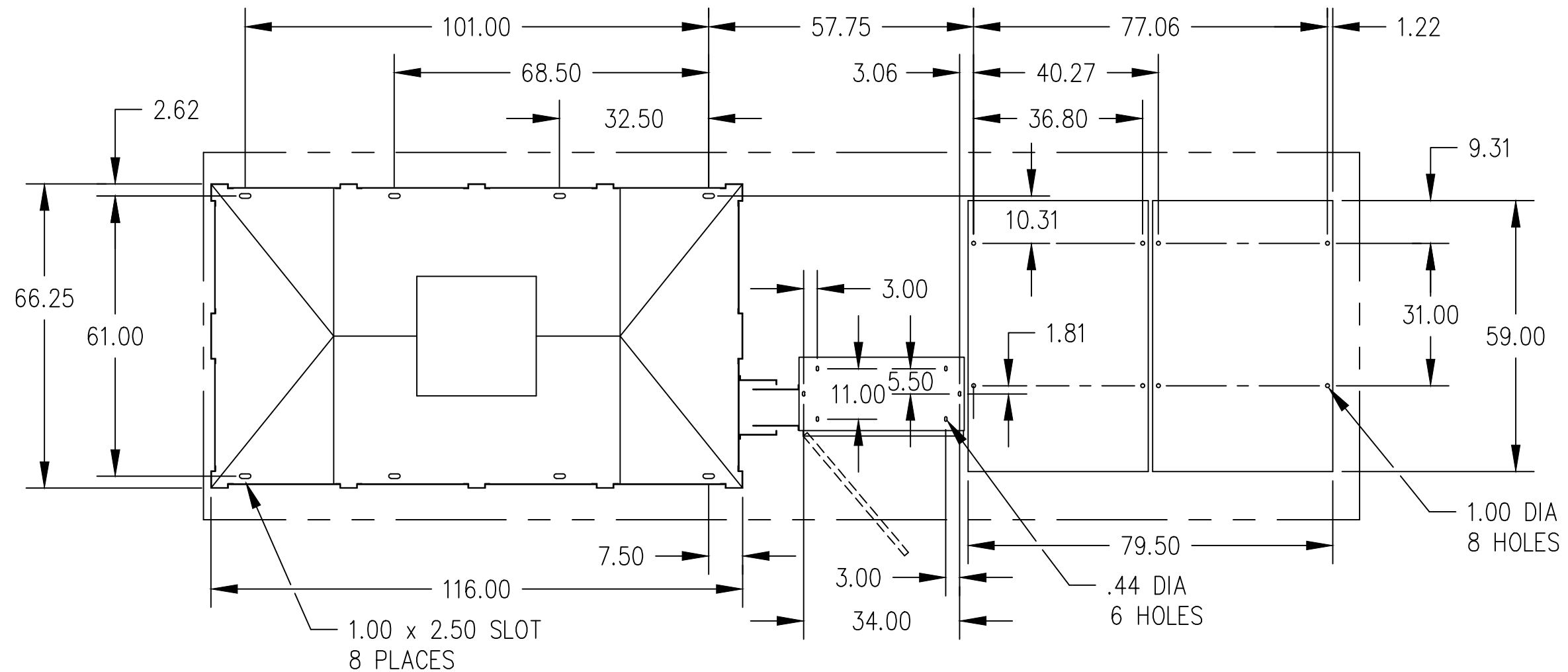
REACTIVE LOAD BANK
GENERAL REFERENCE OUTLINE DRAWING

Model 7700

1 OF 3

Rev. -

PLAN VIEW, MOUNTING DIMENSIONS



NOTES: SEE SHEET 1


ASCO Power Technologies®

REACTIVE LOAD BANK
GENERAL REFERENCE OUTLINE DRAWING

Model 7700

2 OF 3

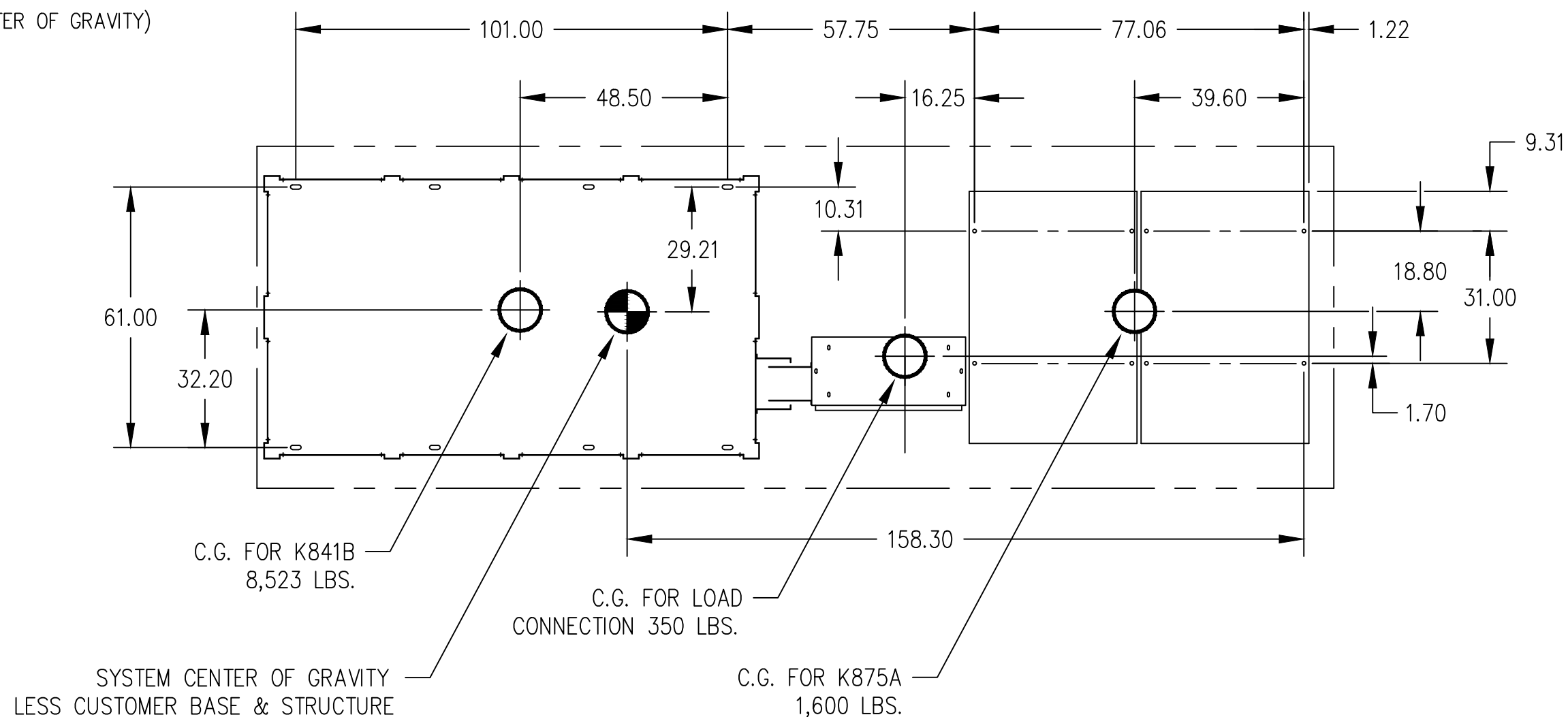
Rev. -


 INDICATES LOCATION OF SYSTEM CENTER OF GRAVITY OF AVTRON SUPPLIED EQUIPMENT BASED ON DIMENSIONS SHOWN. DOES NOT INCLUDE ANY FACTOR FOR CUSTOMER SUPPLIED BASE & STRUCTURE.


 INDICATES INDIVIDUAL AVTRON MANUFACTURED COMPONENT CENTER OF GRAVITY.

(NOTE C.G. IS CENTER OF GRAVITY)

PLAN VIEW, CENTER OF GRAVITY



NOTES: SEE SHEET 1

ASCO Power Technologies®

REACTIVE LOAD BANK
GENERAL REFERENCE OUTLINE DRAWING

Model 7700

3 OF 3

Rev. -