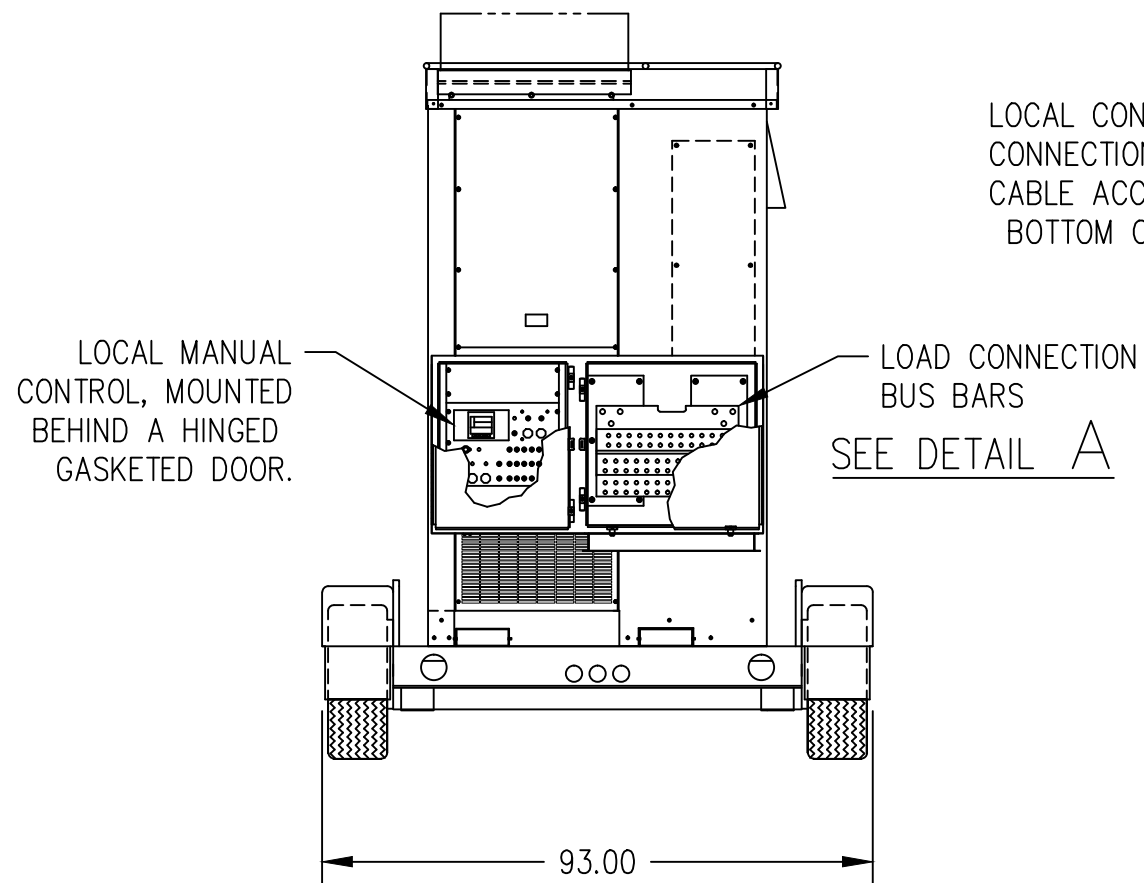
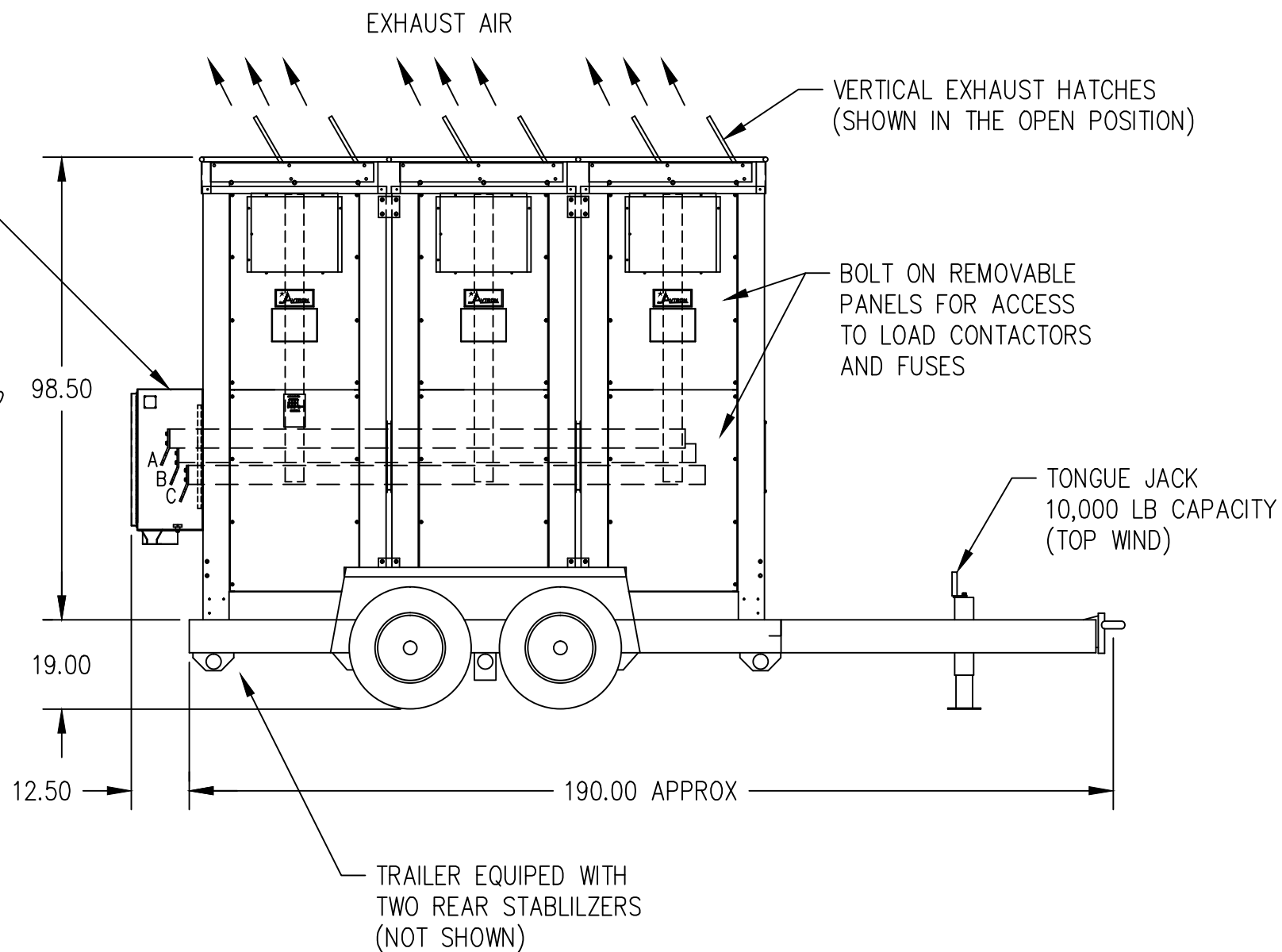
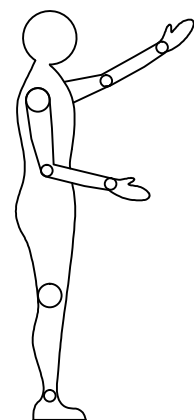


DETAIL A
LOAD CONNECTION BUS BAR
TYP 3 PLACES (PH A, B & C)
SCALE: NONE



LOCAL CONTROL & LOAD CONNECTION ENCLOSURE
CABLE ACCESS THROUGH
BOTTOM OF ENCLOSURE

LOAD CONNECTION
BUS BARS
SEE DETAIL A



EXHAUST AIR

VERTICAL EXHAUST HATCHES
(SHOWN IN THE OPEN POSITION)

BOLT ON REMOVABLE
PANELS FOR ACCESS
TO LOAD CONTACTORS
AND FUSES

TONGUE JACK
10,000 LB CAPACITY
(TOP WIND)

TRAILER EQUIPED WITH
TWO REAR STABILIZERS
(NOT SHOWN)

- NOTES:
1. WEIGHT: 7,000 LBS. APPROX. AS SHOWN
 2. ALL DIMENSIONS ARE APPROX.
 3. ALL DIMENSIONS ARE IN INCHES.
 4. CABLE STORAGE REQUIRES TRAILER UPGRADE AND FRONT TONGUE MOUNTED EQUIPMENT.
 5. UNIT PROVIDED WITH TRAVEL AND STORAGE COVER (NOT SHOWN).

ASCO Power Technologies®

TRAILER MOUNT LOAD BANK - THREE BAY UNIT
GENERAL REFERENCE OUTLINE DRAWING

Model 5830

Rev. -