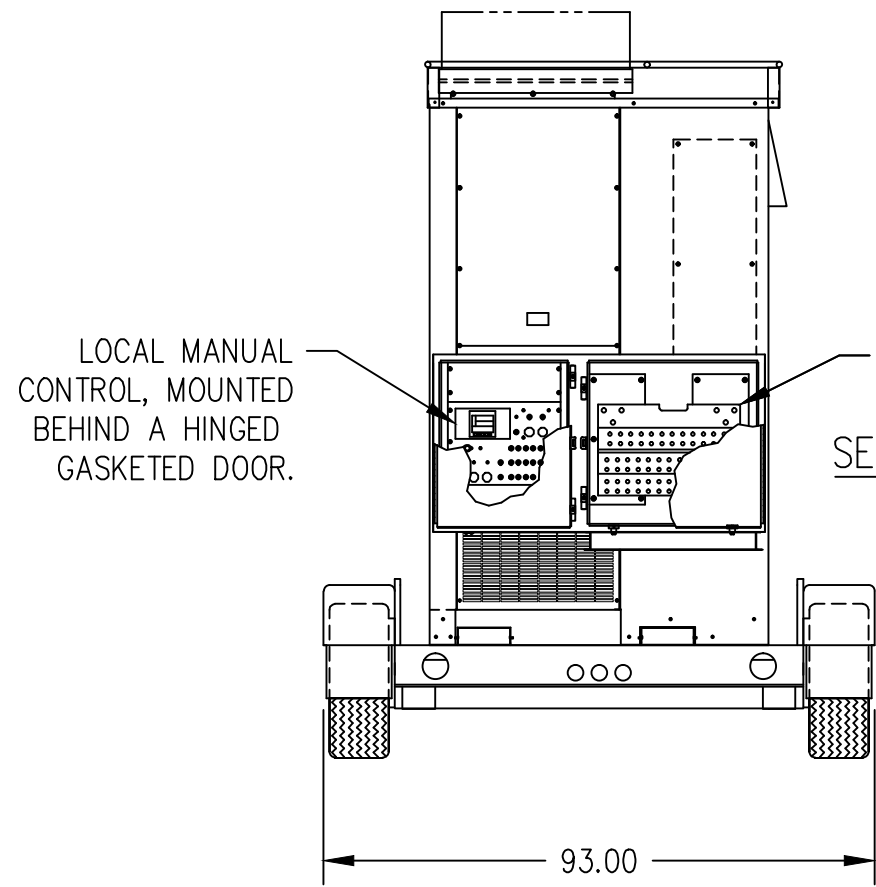
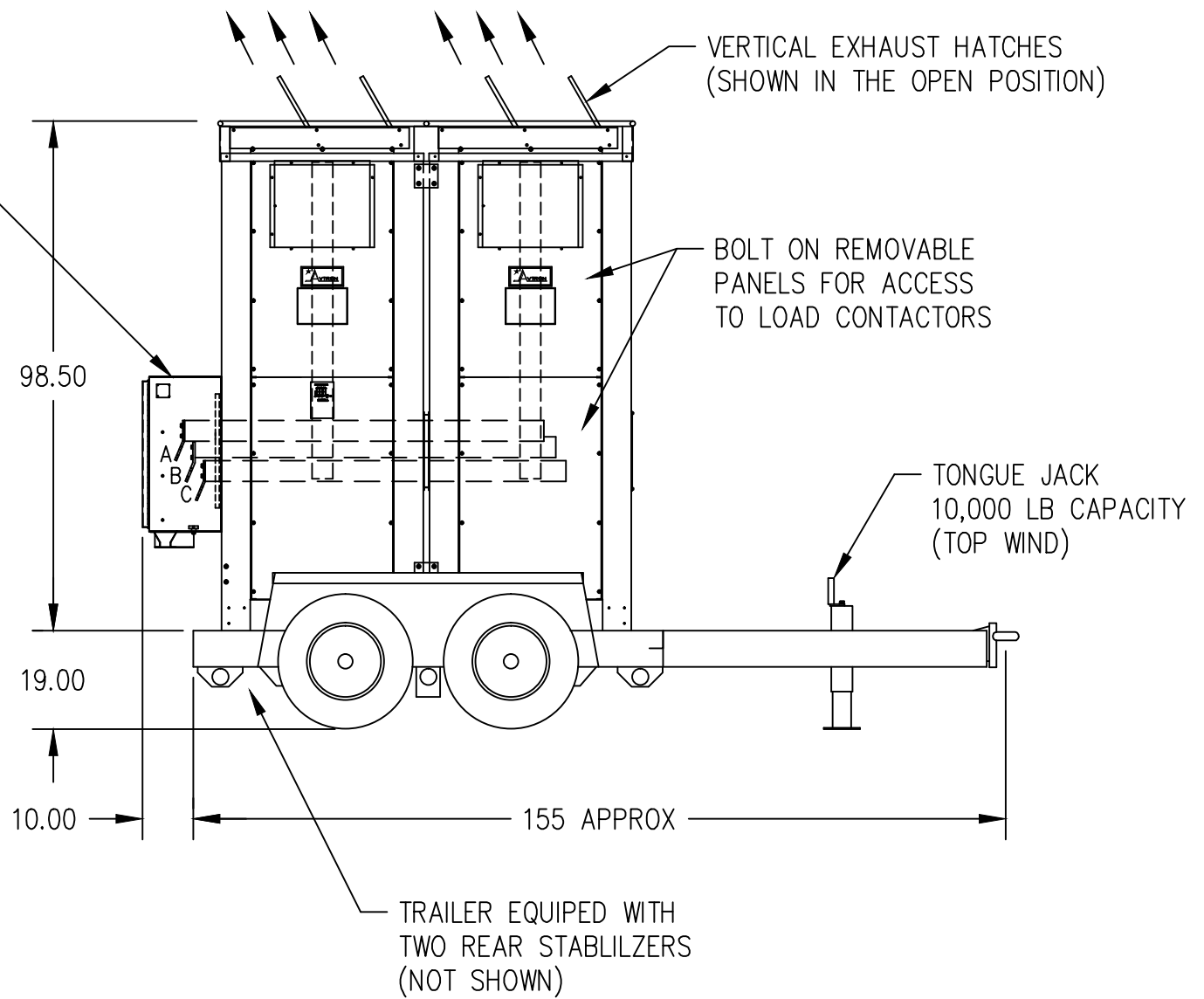
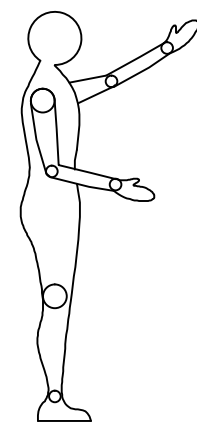


**DETAIL A**  
 LOAD CONNECTION BUS BAR  
 TYP 3 PLACES (PH A, B & C)  
 SCALE: NONE



LOCAL CONTROL & LOAD CONNECTION ENCLOSURE  
 CABLE ACCESS THROUGH BOTTOM OF ENCLOSURE



- NOTES:
5. UNIT PROVIDED WITH TRAVEL AND STORAGE COVER (NOT SHOWN).
  4. CABLE STORAGE REQUIRES TRAILER UPGRADE AND FRONT TONGUE MOUNTED EQUIPMENT.
  3. ALL DIMENSIONS ARE IN INCHES.
  2. ALL DIMENSIONS ARE APPROX.
  1. WEIGHT: 5,500 LBS. APPROX. AS SHOWN



TRAILER MOUNT LOAD BANK - TWO BAY UNIT  
 GENERAL REFERENCE OUTLINE DRAWING

Model 5820

Rev. -