

3. AS A GENERAL GUIDE, THE MINIMUM CLEARANCE REQUIRED FROM ANY OBSTRUCTION IS:  
 6 FEET [1829] ON INLET  
 3 FEET [914] ON SIDES  
 8 FEET [2438] ON EXHAUST  
 REVIEW MANUAL FOR DETAILED INSTALLATION AND SITE CONDITIONS.

2. ALL DIMENSIONS ARE APPROX. IN INCHES [mm]  
 1. WEIGHT: APPROX 3600 LBS [1633 KG]

NOTES:

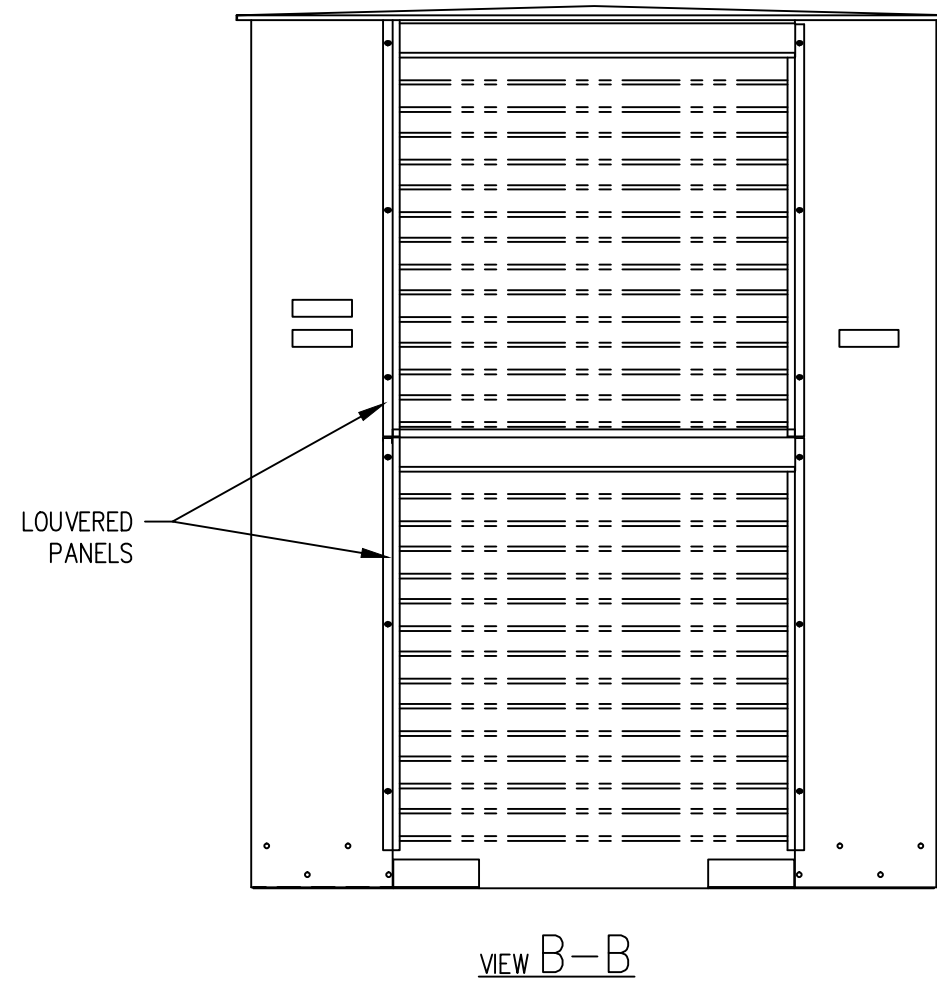
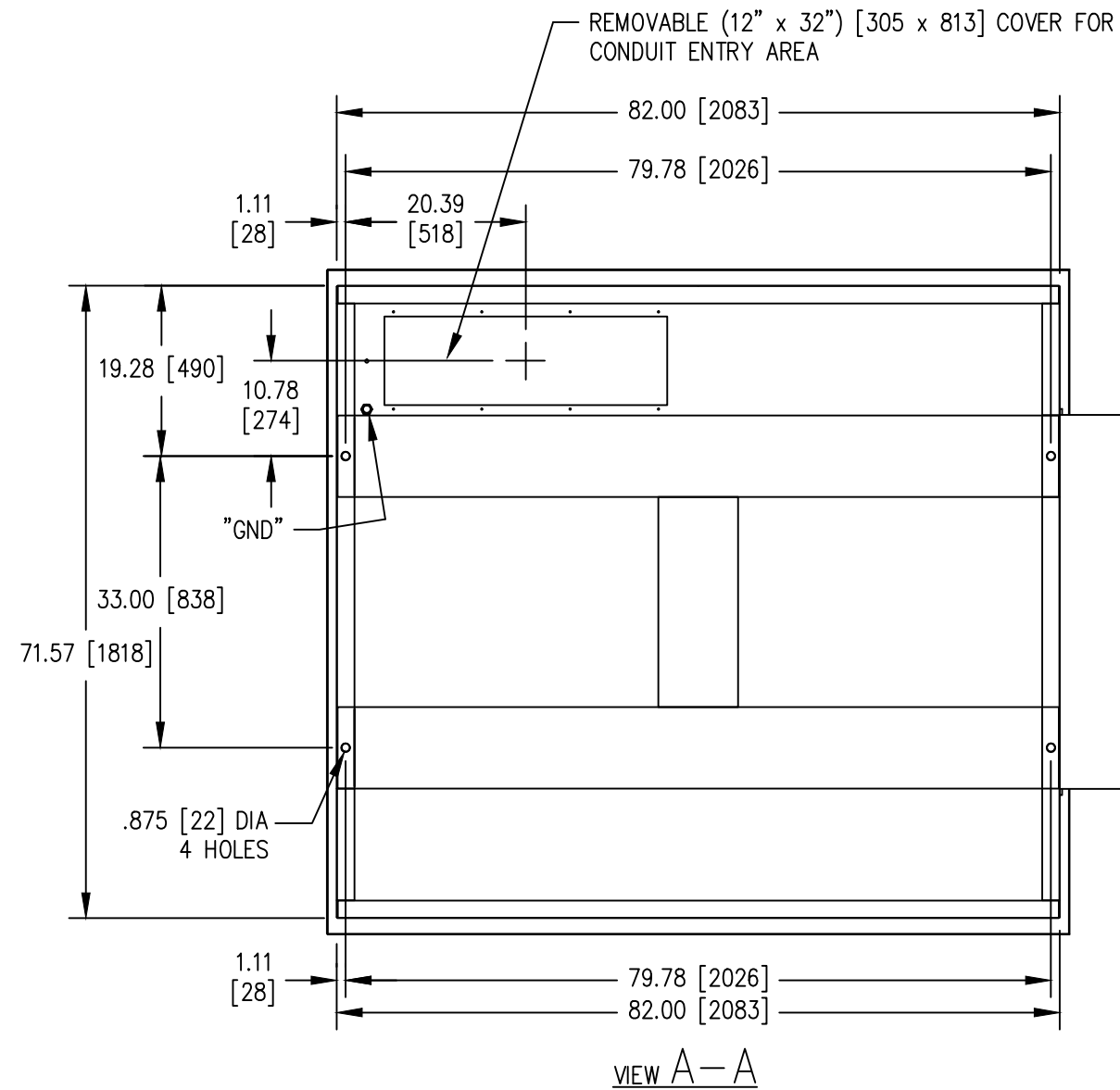


PERMANENT LOAD BANK  
 GENERAL REFERENCE OUTLINE DRAWING

Model 4900

1 OF 2

Rev. H



NOTES:



PERMANENT LOAD BANK  
GENERAL REFERENCE OUTLINE DRAWING  
Model 4900 2 OF 2 Rev. H