

SEE SHEET 2 FOR CASE DIMENSIONS

3. UNIT IS SUPPLIED WITH 10" [3m] LONG LOAD CONNECTION CABLES AND 115V POWER CABLE.
2. ALL DIMENSIONS ARE APPROX. IN INCHES [mm]
1. WEIGHT: 78 LBS [35.5 kg]

UNLESS OTHERWISE SPECIFIED THE ABOVE NOTES APPLY

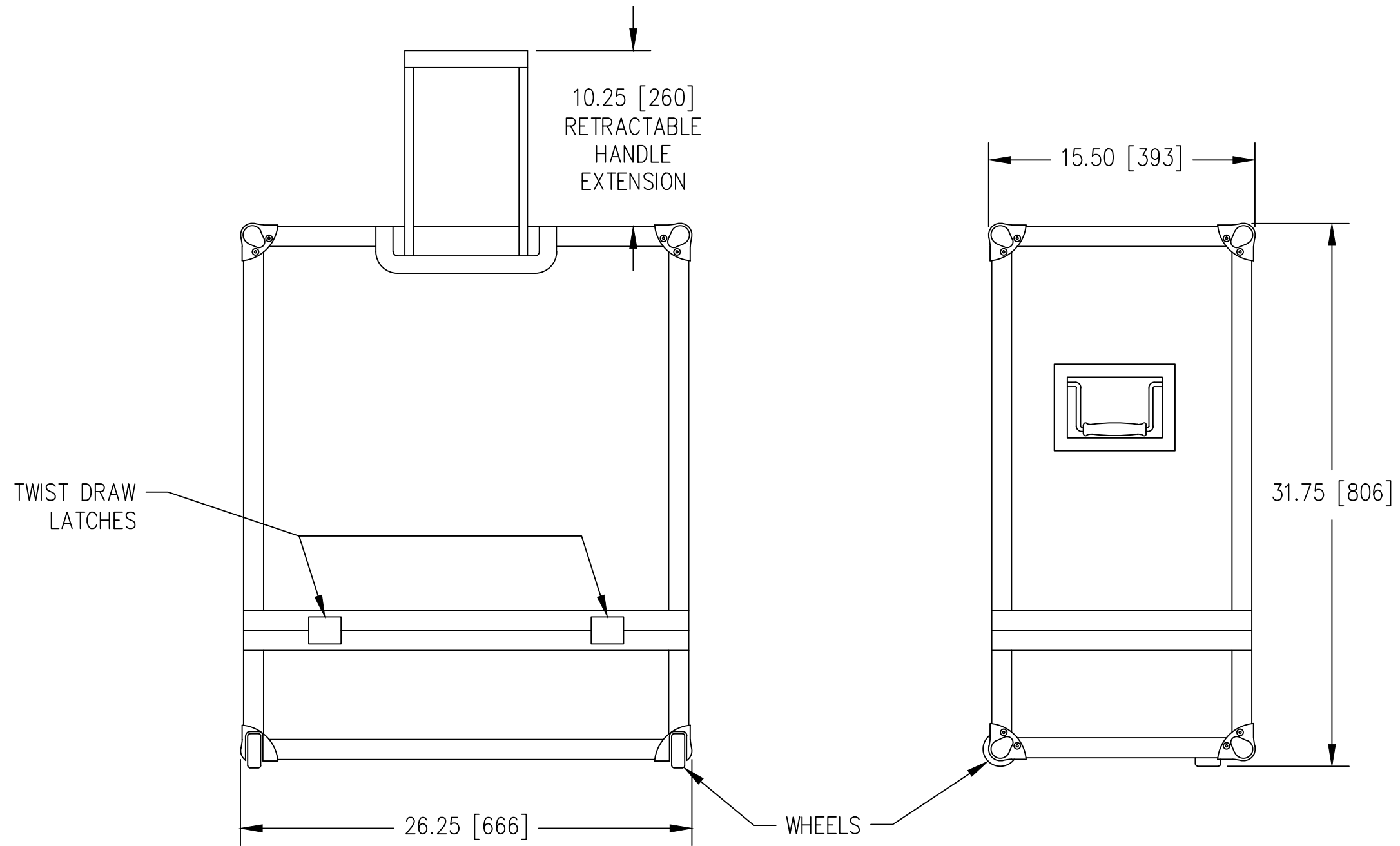


PORTABLE LOAD BANK WITH CASE  
GENERAL REFERENCE OUTLINE DRAWING

Model 2500

1 OF 2

Rev. B



SEE SHEET 1 FOR LOAD BANK DIMENSIONS

2. ALL DIMENSIONS ARE APPROX. IN INCHES [mm]  
1. WEIGHT: APPROX (CASE) 37 LBS [17 kg].

UNLESS OTHERWISE SPECIFIED THE ABOVE NOTES APPLY

**ASCO** Power  
Technologies®

PORTABLE LOAD BANK WITH CASE  
GENERAL REFERENCE OUTLINE DRAWING

Model 2500

2 OF 2

Rev. B