

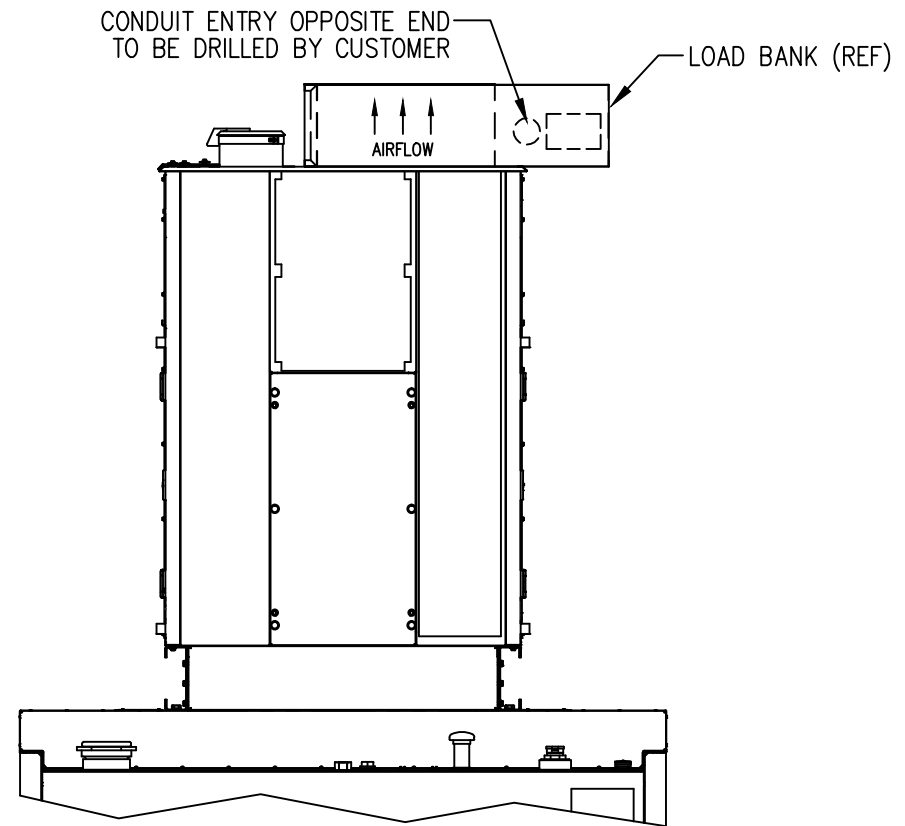
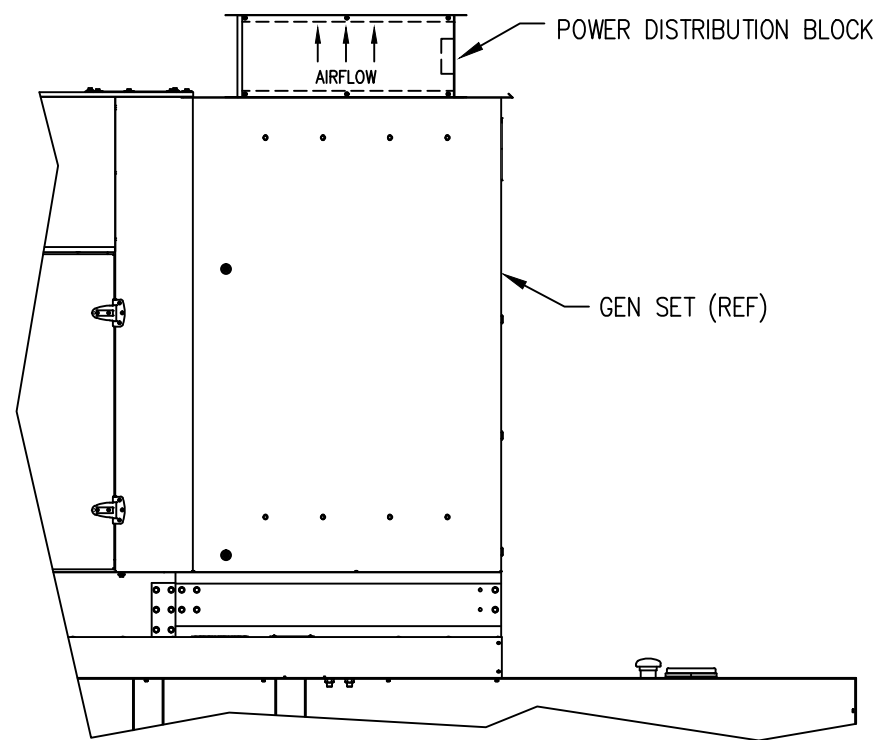
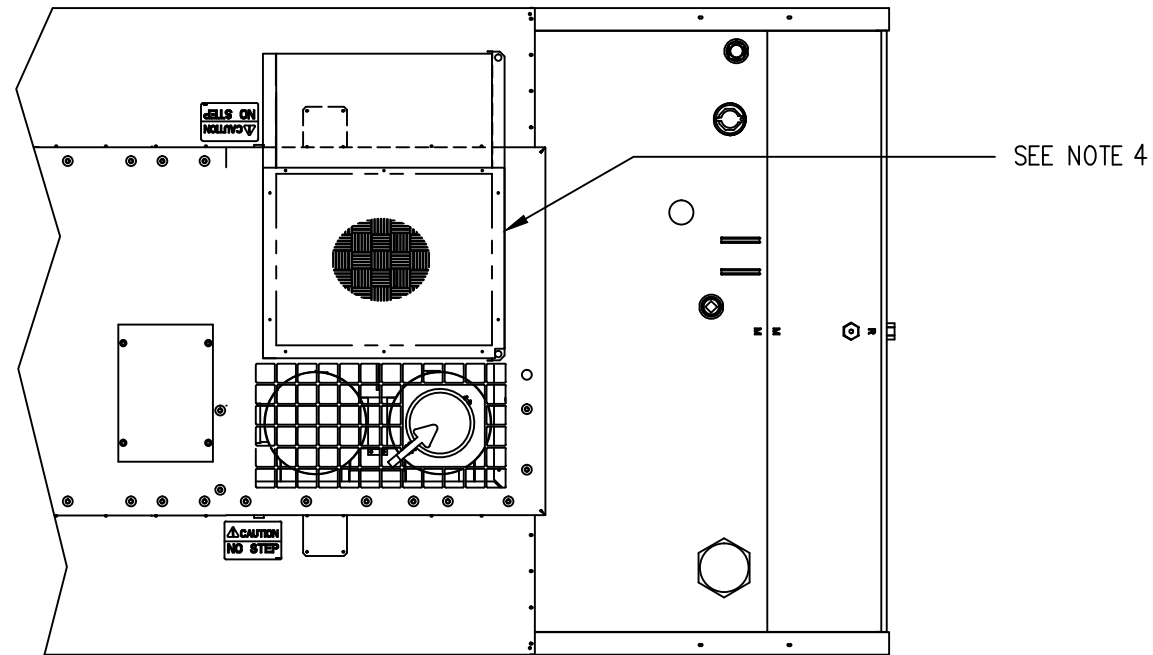
4. PROPER INSTALLATION REQUIRES ALL OF THE RESISTANCE ELEMENTS TO BE LOCATED IN THE PATH OF COOLING AIR FLOW TO ENSURE PROPER COOLING.

3. MOUNT LOAD BANK USING TOP & BOTTOM FLANGES ONLY.

2. ALL DIMENSIONS ARE APPROX.

1. WEIGHT:

UNLESS OTHERWISE SPECIFIED THE ABOVE NOTES APPLY



4. PROPER INSTALLATION REQUIRES ALL OF THE RESISTANCE ELEMENTS TO BE LOCATED IN THE PATH OF COOLING AIR FLOW TO ENSURE PROPER COOLING.
3. MOUNT LOAD BANK USING TOP & BOTTOM FLANGES ONLY.
2. ALL DIMENSIONS ARE APPROX.
1. WEIGHT:

UNLESS OTHERWISE SPECIFIED THE ABOVE NOTES APPLY



HORIZONTAL RADIATOR MOUNT LOAD BANK
GENERAL REFERENCE OUTLINE DRAWING

Model 1500

2 OF 2

Rev. -