

Item	Parts
1	Nameplate
2	Temperature controlling unit (TCU)
3	Controlling box
4	Door Lock
5	Lifting ear
6	View window
7	Hinged doors
8	HV inlet (4mm aluminum plate)
9	LV outlet (4mm aluminum plate)

Technical requirement
 1. Protection level: IP21.
 2. Color: According to the contract
 3. Enclosure weight: 680kg

REV	Date	Description	Draw	Check
0	10/10/2017	Submission for approval	ZY Song	WB Yu



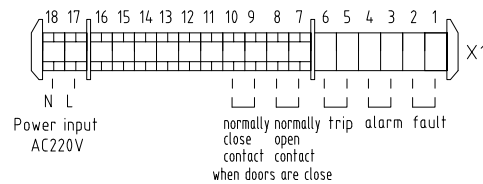
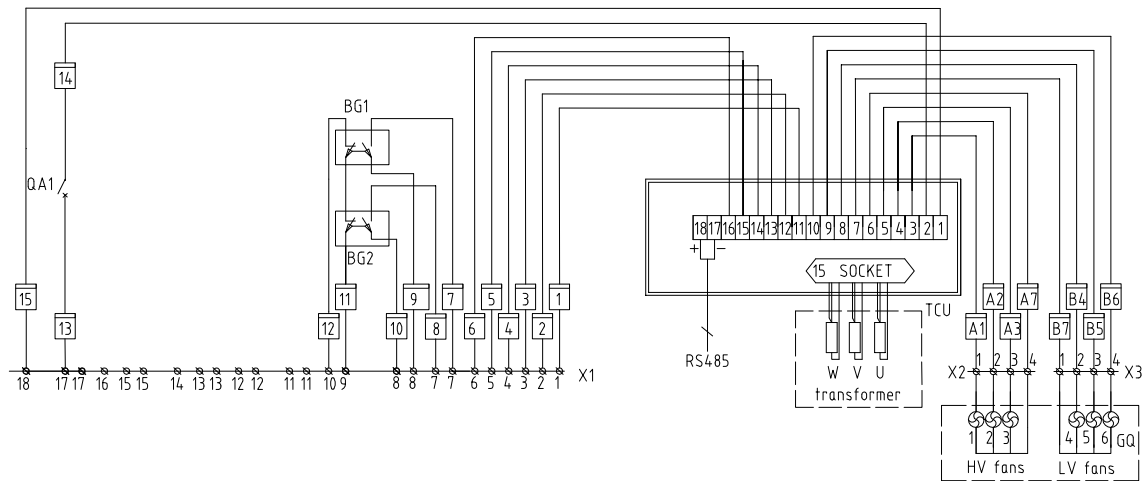
Schneider (Suzhou)
Transformers Co., Ltd.

Project Title:

Drawing Title:
Enclosure details
Trihal-3150kVA-20/0.4KV

	Design	Check	Date	Scale
☉	ZY Song	WB Yu	10/10/2017	1:1

Drawing NO:	REV
QIDC315020104	0



LEGEND

SYMBOL	CODE	DESCRIPTION	SYMBOL	CODE	DESCRIPTION	SYMBOL	CODE	DESCRIPTION
	BG	limit switch		UK 3 N	Terminal			partition plate
		normally close contact		UDK 3	Terminal			ATP separating plate
		normally open contact			wire label			TS
	QA	MCB			jumper			
		sensor PT100/PTC		TCU	temperature controller			
		node			end bracket			

REV	Date	Description	Draw	Check
0	10/10/2017	Submission for approval	ZY Song	WB Yu



Schneider (Suzhou) Transformers Co., Ltd.

Project Title:

Drawing Title:

Circuit diagram
Trihal-3150kVA-20/0.4KV

	Design	Check	Date	Scale
	ZY Song	WB Yu	10/10/2017	1:1

Drawing NO:	REV
QIDC315020104	0



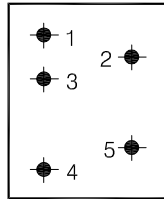
Schneider (Suzhou) Transformers Co., Ltd.

Trihal

Dry-type Cast Resin Transformer

Applicable standard Degree of protection
 Number of phases Rated frequency Hz Temp. rise K Indoor
 Short-circuit impedance % Connection symbol Type of cooling
 Insulation level kV Insulation system temperature

Tapping position



High voltage		Low voltage
connect	voltage	
1-2	21000 V	400 V
2-3	20500 V	
2-5	20000 V	
3-4	19500 V	
4-5	19000 V	

Rated power HV current LV current
 AN kVA A A
 Overload power HV current LV current
 AF kVA A A

Fire behavior class: F1
 Climate class: C2
 Environment class: E2

Mass without enclosure kg Total mass kg Serial number
 Order number Order date Date of manufacture

Note: All blanks will be filled after transformer tested.

REV	Date	Description	Draw	Check
0	10/10/2017	Submission for approval	ZY Song	WB Yu



Schneider (Suzhou) Transformers Co., Ltd.

Project Title:

Drawing Title:

Nameplate
 Trihal-3150kVA-20/0.4KV

	Design	Check	Date	Scale
	ZY Song	WB Yu	10/10/2017	1:1

Drawing NO:	REV
QIDC315020104	0