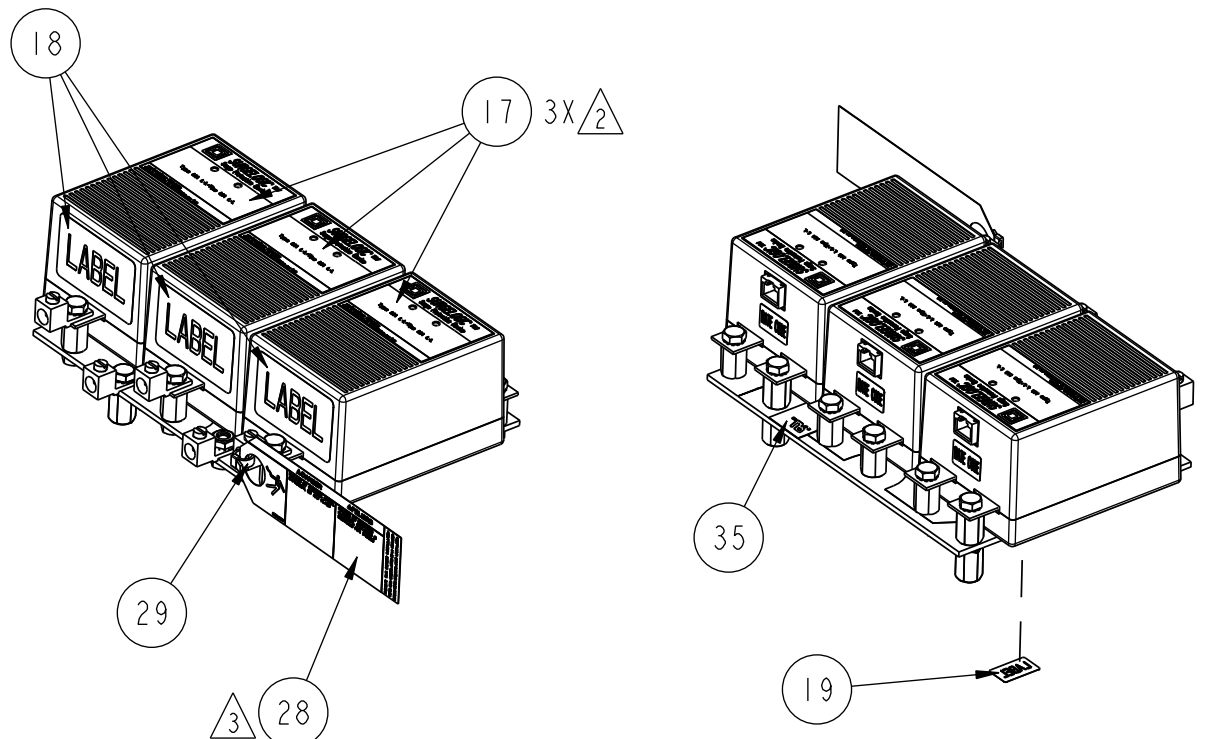
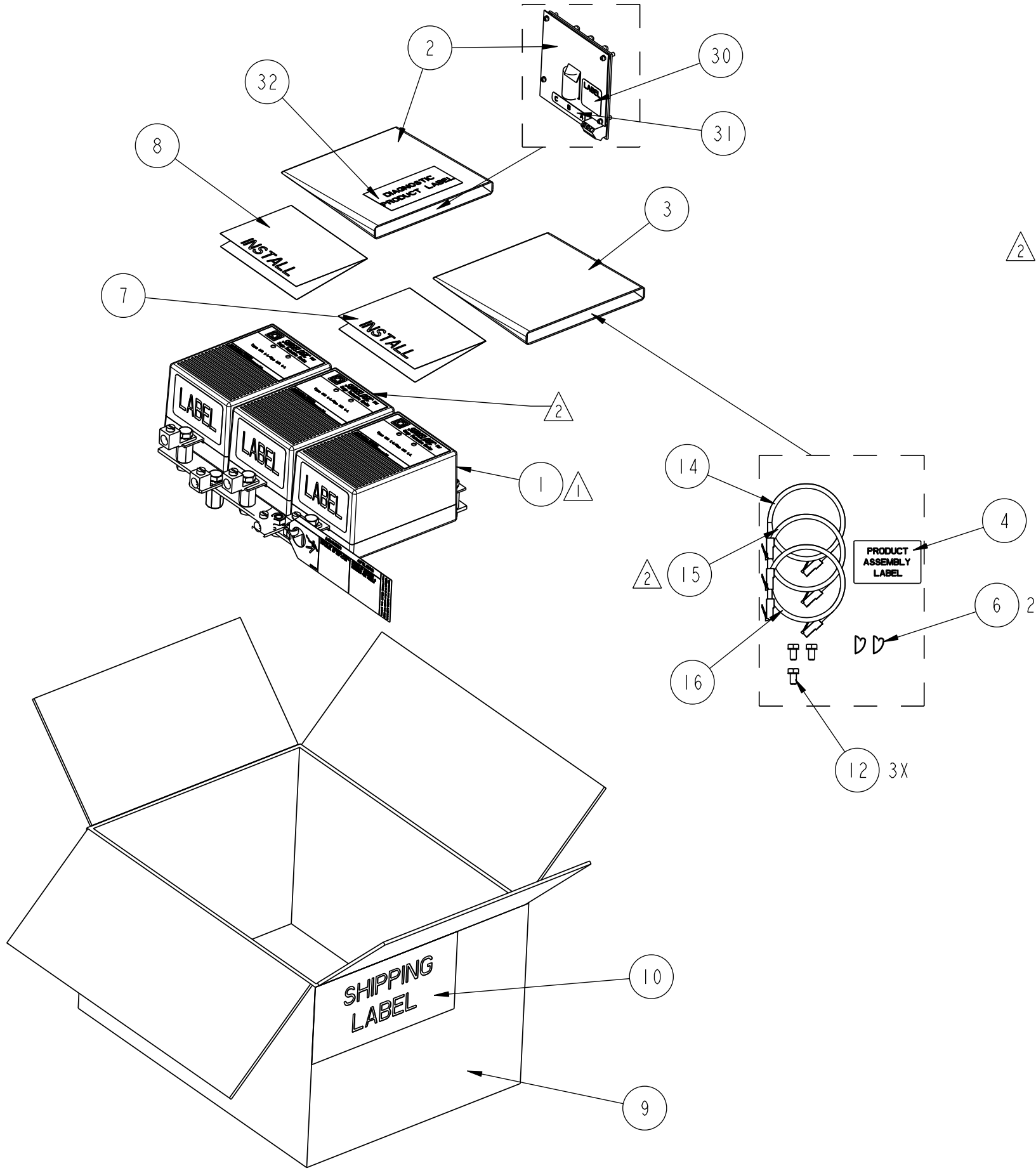


16 15 14 13 12 11 10 9 8 7 6 5 4 3 2 1

REVISIONS

REV	ECO NO.	DATE	DESCRIPTION OF CHANGE	DWN	APRV
A	2657	14DEC2001	ENGINEERING RELEASE	JAI	KE
B	2657	12NOV2002	CHANGE LABEL LOCATION	JH	KE
C	200375	02JAN2003	CHANGE 1/4-20 SCREW TO 1/4-20 SIMM	JAI	KE
D	300060	17NOV2009	LABELS MOV'D-TOP LEVEL / ADD DANGER TAG	DSR	DSR
E	300238	15OCT2010	ADD DIAGNOSTIC LABELS TO P-LEVEL	JCW	DJB
F	300521	11NOV2012	ADDED MINI UR LABEL TO BACKPLANE	JSW	DSR



NOTES: UNLESS OTHERWISE SPECIFIED

- ① - WRAP UNIT WITH BUBBLE WRAP OR CRAFT PAPER.
- ② - NO "B" INSTALLED ON SINGLE PHASE.
- ③ - ATTACH WITH ZIP TIE THRU TERMINAL LUG HOLE.

UNLESS OTHERWISE SPECIFIED DO NOT SCALE DRAWING. DIMENSIONS ARE IN INCHES. REMOVE ALL BURRS & SHARP EDGES 0.03 RADII MAX. FILLET RADIUS 0.03 MAX. TOLERANCES: FINISH: 125 .X = ± 0.1 .XX = ± 0.03 .XXX = ± 0.005 ANGLES ± 0° 30" UNMARKED ANLES ARE 90° NOM. HOLES: .000 THRU .250 Ø - +.002 .251 THRU .500 Ø - +.003 .501 AND GREATER - +.005	THIS DOCUMENT AND THE DATA DISCLOSED HEREIN OR HEREWITH IS NOT TO BE REPRODUCED, USED, OR DISCLOSED IN WHOLE OR IN PART TO ANYONE WITHOUT THE PERMISSION OF SCHNEIDER ELECTRIC.			1751 SOUTH 4800 WEST SALT LAKE CITY, UT 84104 PHONE (801) 977-9009 FAX (801) 977-3474	ASSEM D222-0010 in D222-0010 MODEL
	INITIAL DRWN: JAI ENGR: DSR MANF: NT QUALITY: GPA	DATE 14DEC2001 11DEC2009 11DEC2009 11DEC2009			
DO NOT SCALE DRAWING. DIMENSIONS ARE IN INCHES. REMOVE ALL BURRS & SHARP EDGES 0.03 RADII MAX. FILLET RADIUS 0.03 MAX. TOLERANCES: FINISH: 125 .X = ± 0.1 .XX = ± 0.03 .XXX = ± 0.005 ANGLES ± 0° 30" UNMARKED ANLES ARE 90° NOM. HOLES: .000 THRU .250 Ø - +.002 .251 THRU .500 Ø - +.003 .501 AND GREATER - +.005		SIZE B SCALE 0.5" = 1"	DWG NO. D222-0010 Released for Manufacturing Printed on 2021/08/03	REV 6.1 F	SHEET 1 OF 1

16 15 14 13 12 11 10 9 8 7 6 5 4 3 2 1