
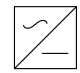
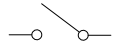
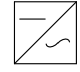
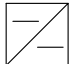
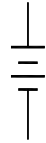


APC Smart-UPS Ultra Online Li-ion

Sheet No.	Component /Detail	Description
1	Drawing Guide	APC Smart-UPS Ultra Online Li-ion SRTL5KRM2UT 208/240VAC Drawing Guide
2	Isometric Views	APC Smart-UPS Ultra Online Li-ion SRTL5KRM2UT 208/240VAC Isometric View
3	General Arrangement -Rack mount	APC Smart-UPS Ultra Online Li-ion SRTL5KRM2UT 208/240VAC General Arrangement-Rack installation
4	General Arrangement -Tower mount	APC Smart-UPS Ultra Online Li-ion SRTL5KRM2UT 208/240VAC General Arrangement-Tower installation
5	System One Line Diagram	APC Smart-UPS Ultra Online Li-ion SRTL5KRM2UT 208/240VAC System One line Diagram

LEGEND			
SYMBOL	DESCRIPTION	SYMBOL	DESCRIPTION
	CIRCUIT BREAKER		AC-DC CONVERTER
	RELAY		DC-AC CONVERTER (INVERTER)
	DC-DC CONVERTER		BATTERY

THIS DRAWING AND SPECIFICATIONS HEREIN ARE THE PROPERTY OF SCHNEIDER ELECTRIC AND SHALL NOT BE COPIED, REPRODUCED OR USED IN WHOLE OR IN PART, AS THE BASIS FOR THE MANUFACTURE OR SALE OF ITEMS WITHOUT WRITTEN PERMISSION FROM SCHNEIDER ELECTRIC. THIS DRAWING IS BASED UPON LATEST AVAILABLE INFORMATION AND IS SUBJECT TO CHANGE WITHOUT NOTICE.



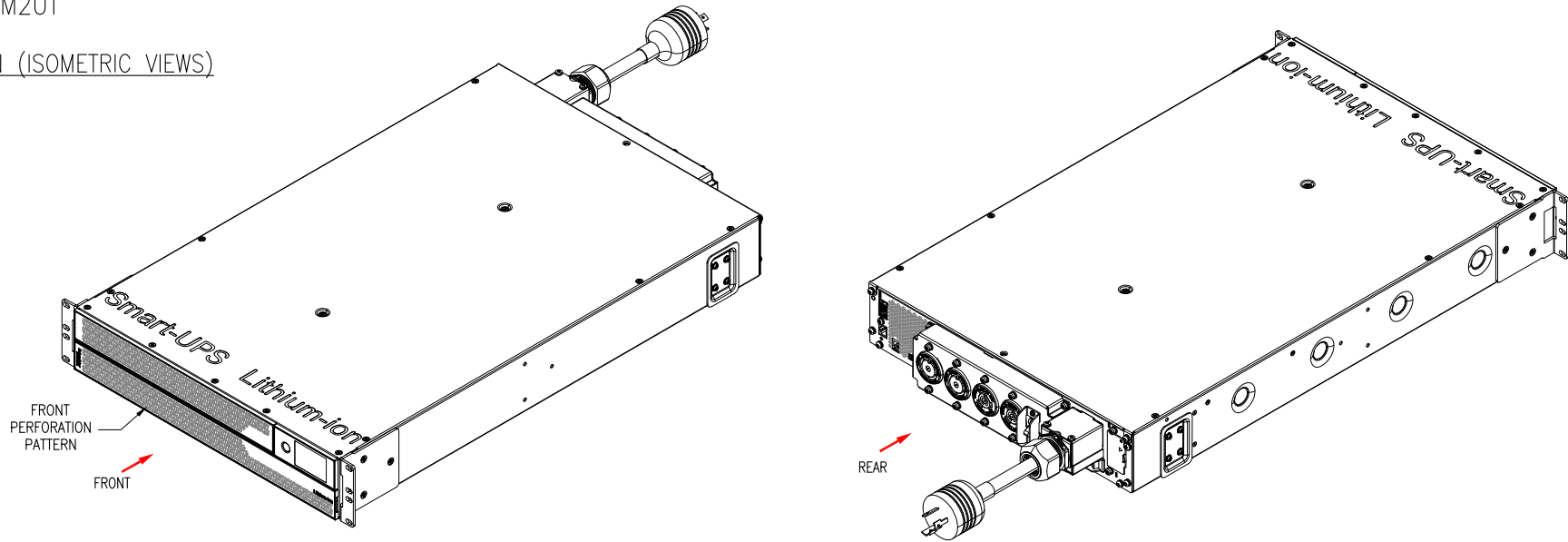
TITLE: APC Smart-UPS Ultra Online Li-ion
 INPUT: 208-240V (L1+L2/N+G), 50-60Hz
 OUTPUT: 208/240V (L1+L2/N+G), 50/60Hz
 4.9kVA/4.9kW (208V) & 5kVA/5kW (240V)
 DRAWING GUIDE

PROJECT: DRAWINGS SHEET 1 OF 5

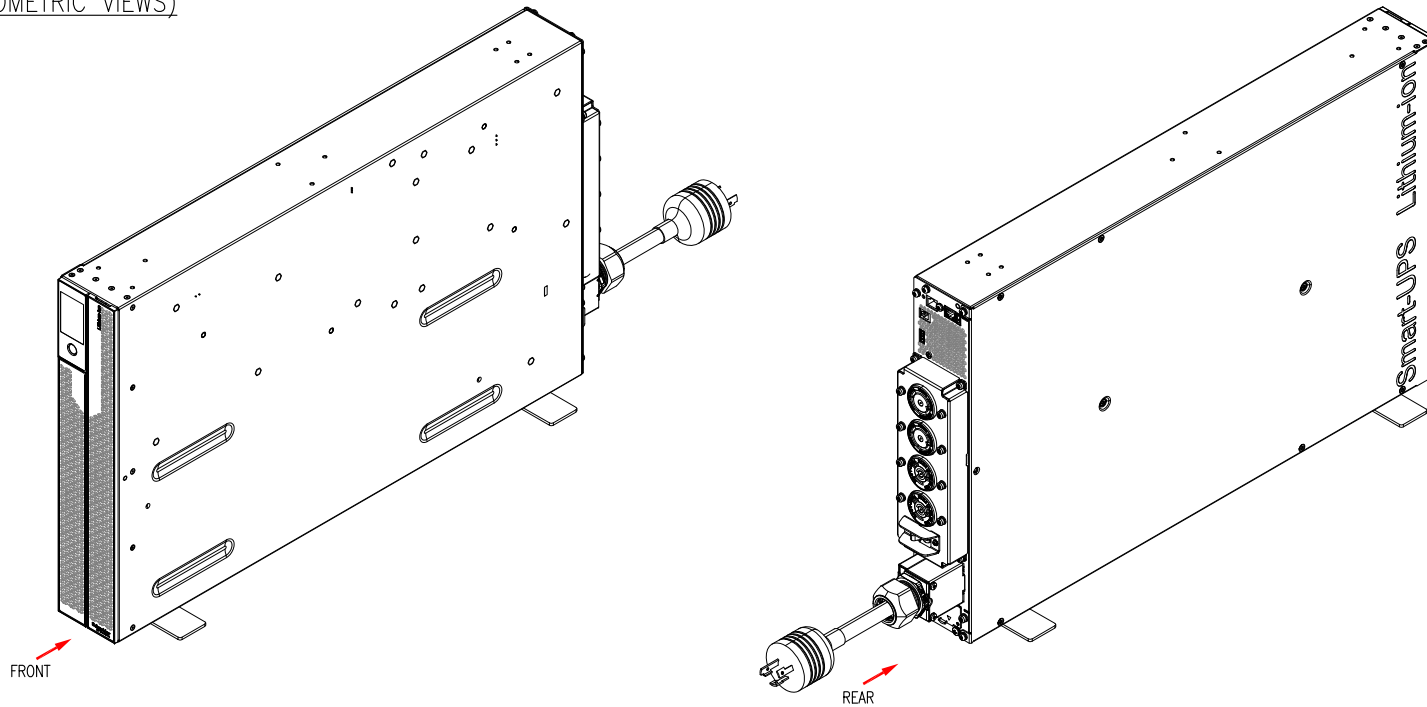
DWG NO:	SRTL5KRM2UT		REV:	0
DRAWN:	RANJITHA	01-SEP-21	ANGLE	PROJECTION
ENGINEER:	R PANDEY/DILEEP	16-SEP-21		
APPROVED:	M LIPARE	16-SEP-21		

SKU #: SRTL5KRM2UT

RACK INSTALLATION (ISOMETRIC VIEWS)



TOWER INSTALLATION (ISOMETRIC VIEWS)



NOTES:

1. INSTALLATION SHALL COMPLY WITH ALL APPLICABLE NATIONAL AND LOCAL ELECTRICAL REGULATIONS.
2. REFER TO PRODUCT MANUALS FOR ADDITIONAL DETAILS PRIOR TO INSTALLATION AND SITE PREPARATION WORK.

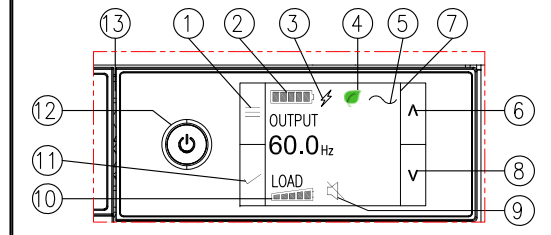
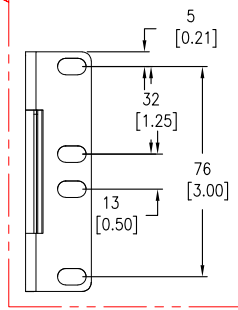
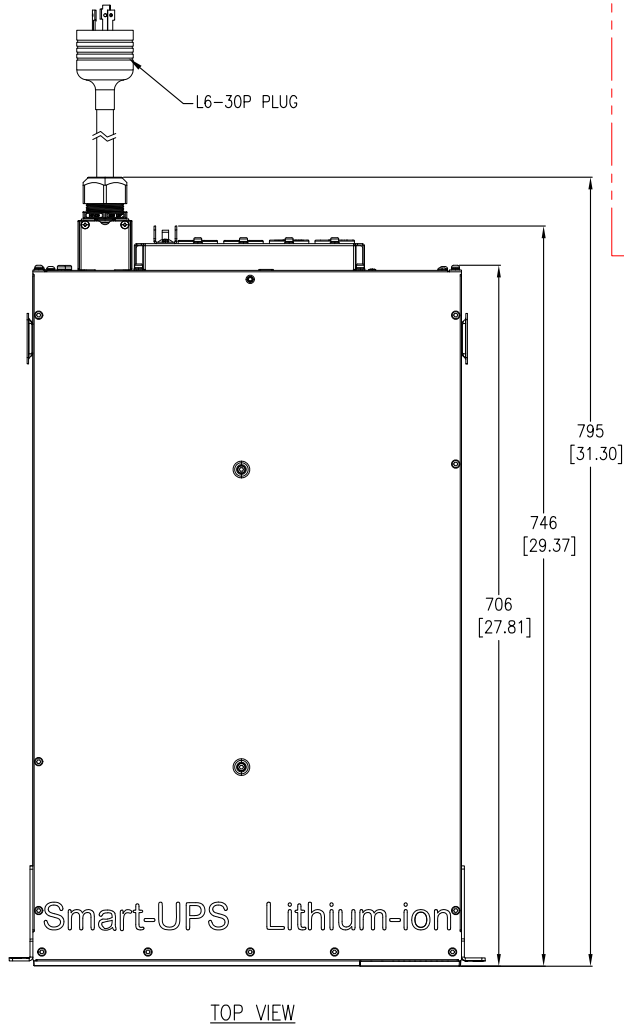
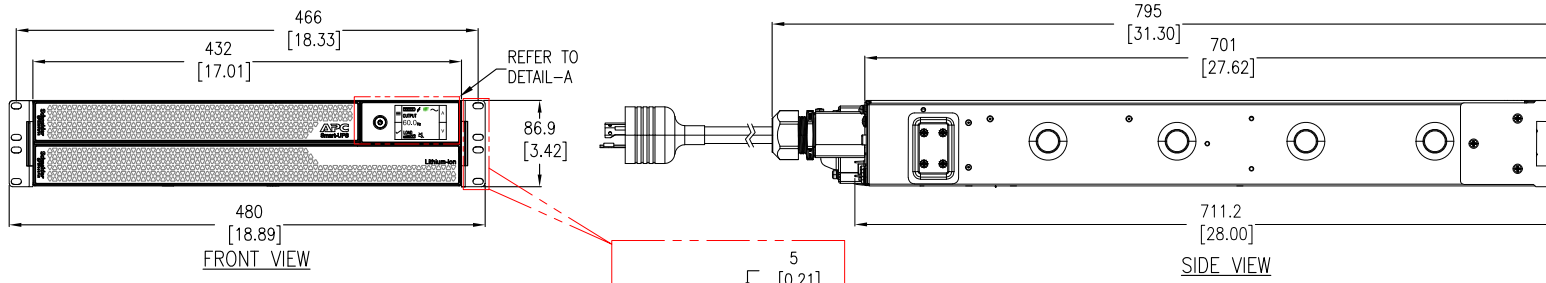
THIS DRAWING AND SPECIFICATIONS HEREIN ARE THE PROPERTY OF SCHNEIDER ELECTRIC AND SHALL NOT BE COPIED, REPRODUCED OR USED IN WHOLE OR IN PART, AS THE BASIS FOR THE MANUFACTURE OR SALE OF ITEMS WITHOUT WRITTEN PERMISSION FROM SCHNEIDER ELECTRIC. THIS DRAWING IS BASED UPON LATEST AVAILABLE INFORMATION AND IS SUBJECT TO CHANGE WITHOUT NOTICE.



TITLE: APC Smart-UPS Ultra Online Li-ion
 INPUT: 208-240V (L1+L2/N+G), 50-60Hz
 OUTPUT: 208/240V (L1+L2/N+G), 50/60Hz
 4.9kVA/4.9kW (208V) & 5kVA/5kW (240V)
 ISOMETRIC VIEWS

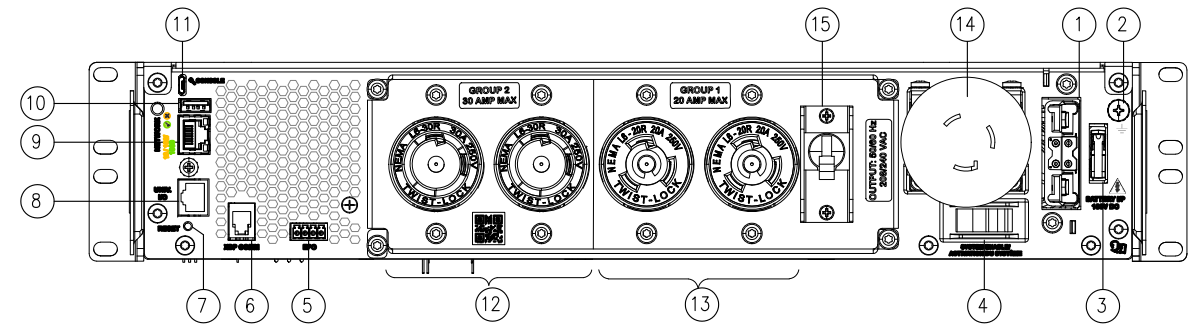
PROJECT: DRAWINGS SHEET 2 OF 5

DWG NO:	SRTL5KRM2UT	REV:	0
DRAWN:	RANJITHA	01-SEP-21	FIRST ANGLE PROJECTION
ENGINEER:	H R PANDEY/DILEEP	16-SEP-21	
APPROVED:	M LIPARE	16-SEP-21	



DETAIL-A, DISPLAY PANEL
(ENLARGED VIEW)

- | | |
|---------------------------|---|
| 1. MENU key | 9. MUTE icon |
| 2. Battery status icon | 10. Load icon |
| 3. Battery charging icon | 11. OK key |
| 4. Green mode icon | 12. POWER key with LED |
| 5. Operation mode icon | 13. Status LED (located on the side of the UPS LCD display interface) |
| 6. UP key | |
| 7. UPS status information | |
| 8. DOWN key | |



REAR VIEW (ENLARGED)

- | | |
|---|---|
| ① EXTERNAL BATTERY POWER CONNECTOR (PROTECTIVE COVER NOT SHOWN) | ⑧ UNIVERSAL I/O PORT |
| ② CHASSIS GROUND SCREW | ⑨ NETWORK PORT |
| ③ SAFETY INTERLOCK SWITCH (PROTECTIVE COVER NOT SHOWN) | ⑩ USB PORT |
| ④ SYSTEM ENABLE SWITCH | ⑪ CONSOLE PORT |
| ⑤ EPO TERMINAL | ⑫ L6-30R OUTLETS |
| ⑥ EXTERNAL BATTERY COMMUNICATION CONNECTOR | ⑬ L6-20R OUTLETS |
| ⑦ RESET BUTTON | ⑭ INPUT MAINS CORD WITH L6-30P PLUG |
| | ⑮ 20A OUTPUT CIRCUIT BREAKER FOR L6-20R OUTLETS |

NOTES:
 1. INSTALLATION SHALL COMPLY WITH ALL APPLICABLE NATIONAL AND LOCAL ELECTRICAL REGULATIONS.
 2. REFER TO PRODUCT MANUALS FOR ADDITIONAL DETAILS PRIOR TO INSTALLATION AND SITE PREPARATION WORK.
 3. ALL DIMENSIONS ARE IN MILLIMETERS [INCHES], UNLESS OTHERWISE SPECIFIED. DIMENSIONS EXCLUDE SCREWS AND PROTRUDING PARTS.
 4. CABLE ENTRY IS FROM REAR SIDE OF UNIT.
 5. NET WEIGHT OF THE UNIT: 19kg [41.89 lb].

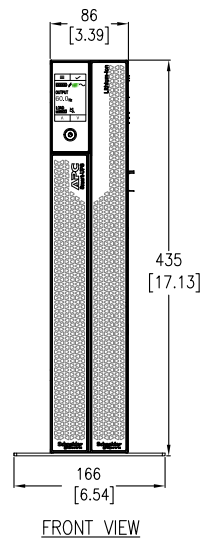
THIS DRAWING AND SPECIFICATIONS HEREIN ARE THE PROPERTY OF SCHNEIDER ELECTRIC AND SHALL NOT BE COPIED, REPRODUCED OR USED IN WHOLE OR IN PART, AS THE BASIS FOR THE MANUFACTURE OR SALE OF ITEMS WITHOUT WRITTEN PERMISSION FROM SCHNEIDER ELECTRIC. THIS DRAWING IS BASED UPON LATEST AVAILABLE INFORMATION AND IS SUBJECT TO CHANGE WITHOUT NOTICE.



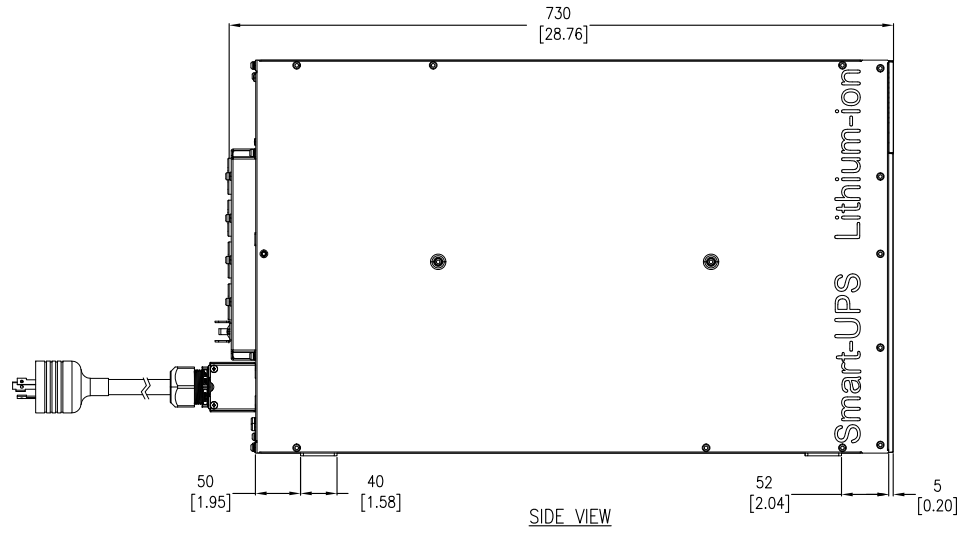
TITLE: APC Smart-UPS Ultra Online Li-ion
 INPUT: 208-240V (L1+L2/N+G), 50-60Hz
 OUTPUT: 208/240V (L1+L2/N+G), 50/60Hz
 4.9kVA/4.9kW (208V) & 5kVA/5kW (240V)
 GENERAL ARRANGEMENT-RACK INSTALLATION

DWG NO: SRTL5KRM2UT REV. 1
 DRAWN: RANJITHA/JAYAPRAKASH 03-DEC-21 FIRST ANGLE PROJECTION
 ENGINEER: H R PANDEY/DILEEP 03-DEC-21
 APPROVED: M LIPARE 03-DEC-21

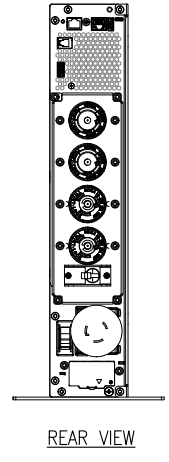
TOWER INSTALLATION



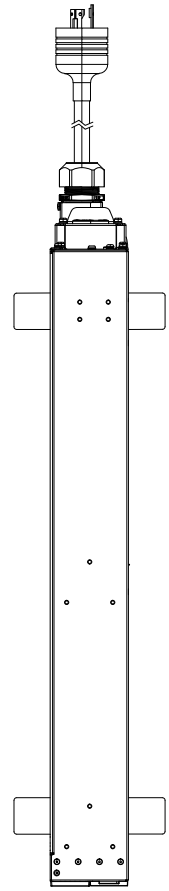
FRONT VIEW



SIDE VIEW



REAR VIEW



TOP VIEW

NOTES:

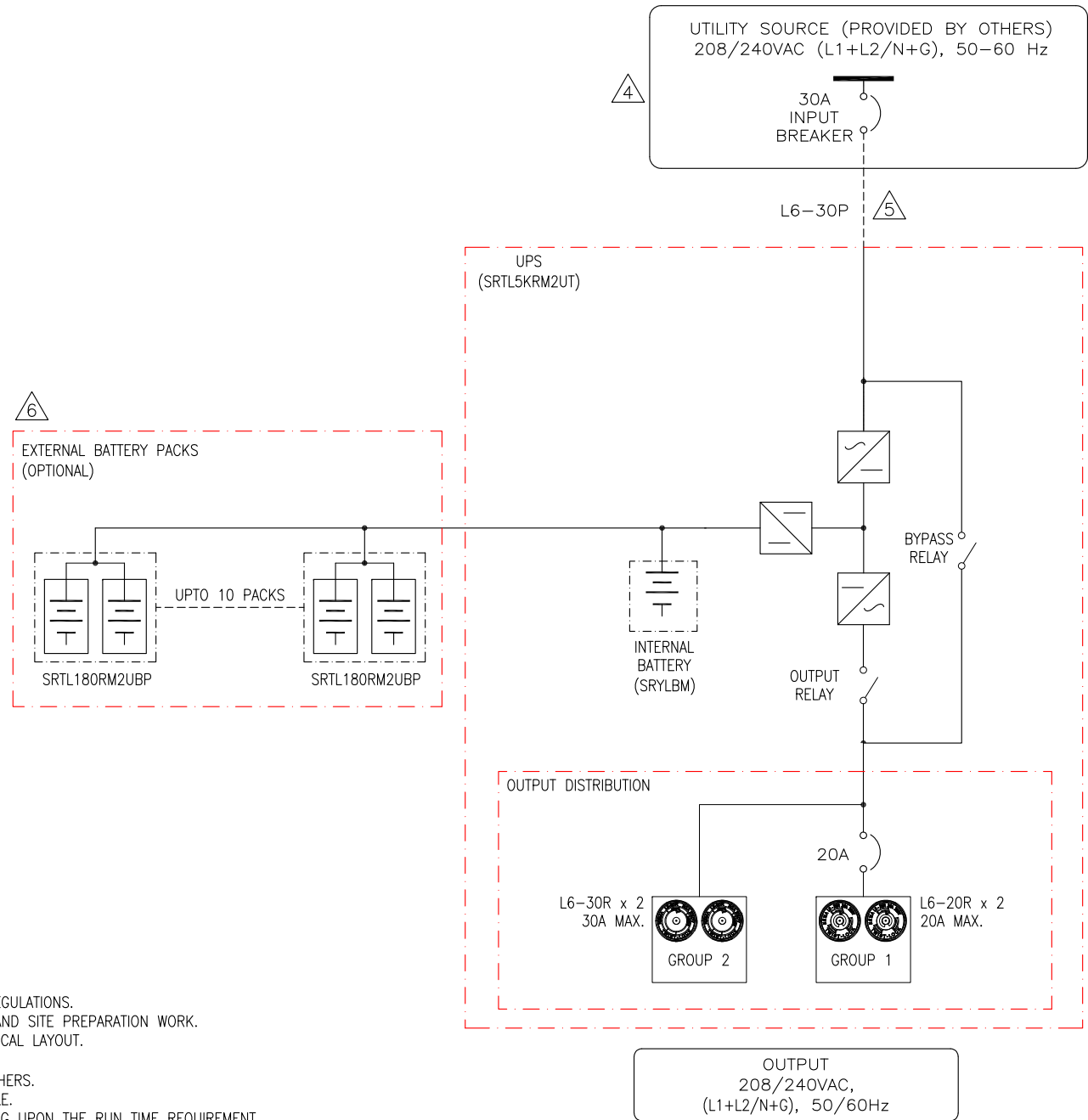
1. INSTALLATION SHALL COMPLY WITH ALL APPLICABLE NATIONAL AND LOCAL ELECTRICAL REGULATIONS.
2. REFER TO PRODUCT MANUALS FOR ADDITIONAL DETAILS PRIOR TO INSTALLATION AND SITE PREPARATION WORK.
3. ALL DIMENSIONS ARE IN MILLIMETERS [INCHES], UNLESS OTHERWISE SPECIFIED. DIMENSIONS EXCLUDE SCREWS AND PROTRUDING PARTS.
4. UNIT CAN BE TOWER INSTALLED IF REQUIRED. USE THE PROVIDED STABILIZER BRACKETS FOR TOWER INSTALLATION.

THIS DRAWING AND SPECIFICATIONS HEREIN ARE THE PROPERTY OF SCHNEIDER ELECTRIC AND SHALL NOT BE COPIED, REPRODUCED OR USED IN WHOLE OR IN PART, AS THE BASIS FOR THE MANUFACTURE OR SALE OF ITEMS WITHOUT WRITTEN PERMISSION FROM SCHNEIDER ELECTRIC. THIS DRAWING IS BASED UPON LATEST AVAILABLE INFORMATION AND IS SUBJECT TO CHANGE WITHOUT NOTICE.



TITLE: APC Smart-UPS Ultra Online Li-ion
INPUT: 208-240V (L1+L2/N+G), 50-60Hz
OUTPUT: 208/240V (L1+L2/N+G), 50/60Hz
4.9kVA/4.9kW (208V) & 5kVA/5kW (240V)
GENERAL ARRANGEMENT-TOWER INSTALLATION

DWG NO:	SRTL5KRM2UT	REV.	0
DRAWN:	RANJITHA	01-SEP-21	FIRST ANGLE PROJECTION
ENGINEER:	R PANDEY/DILEEP	16-SEP-21	
APPROVED:	M LIPARE	16-SEP-21	



NOTES:

1. INSTALLATION SHALL COMPLY WITH ALL APPLICABLE NATIONAL AND LOCAL ELECTRICAL REGULATIONS.
2. REFER TO PRODUCT DOCUMENTATION FOR ADDITIONAL DETAILS PRIOR TO INSTALLATION AND SITE PREPARATION WORK.
3. DRAWING DEPICTS POWER SYSTEM CONNECTIONS AND IS NOT REPRESENTATIVE OF PHYSICAL LAYOUT. PLEASE REFER TO MECHANICAL DRAWINGS FOR MORE SPECIFIC PHYSICAL DATA.
- △ 4. UTILITY SOURCE MUST BE 1PH, 208/240VAC (L1+L2/N+G), 50-60Hz PROVIDED BY OTHERS.
- △ 5. DASHED LINES BETWEEN UTILITY SOURCE & THE UNIT REPRESENTS UTILITY POWER CABLE.
- △ 6. A MAXIMUM OF 10 EXTERNAL BATTERY PACKS CAN BE CONNECTED WITH UPS DEPENDING UPON THE RUN TIME REQUIREMENT. FOR EACH BATTERY ADDED, INCREASED RECHARGE TIME WILL BE REQUIRED.
7. INPUT I THD < 5% AT FULL R LOAD.
8. AT NOMINAL VOLTAGE, OUTPUT V THD 1% MAX FOR FULL LINEAR LOAD, < 5% MAX. FOR FULL NON LINEAR LOAD.
9. OUTPUT POWER-FACTOR IS 1.0

THIS DRAWING AND SPECIFICATIONS HEREIN ARE THE PROPERTY OF SCHNEIDER ELECTRIC AND SHALL NOT BE COPIED, REPRODUCED OR USED IN WHOLE OR IN PART, AS THE BASIS FOR THE MANUFACTURE OR SALE OF ITEMS WITHOUT WRITTEN PERMISSION FROM SCHNEIDER ELECTRIC. THIS DRAWING IS BASED UPON LATEST AVAILABLE INFORMATION AND IS SUBJECT TO CHANGE WITHOUT NOTICE.



TITLE: APC Smart-UPS Ultra Online Li-ion
 INPUT: 208-240V (L1+L2/N+G), 50-60Hz
 OUTPUT: 208/240V (L1+L2/N+G), 50/60Hz
 4.9kVA/4.9kW (208V) & 5kVA/5kW (240V)
 SYSTEM ONE LINE DIAGRAM

DWG NO: SRTL5KRM2UT REV. 0

DRAWN: RANJITHA 01-SEP-21 ANGLE PROJECTION
 ENGINEER: H PANDEY/DILEEP 16-SEP-21

PROJECT: DRAWINGS SHEET 5 OF 5 APPROVED: M LIPARE 16-SEP-21