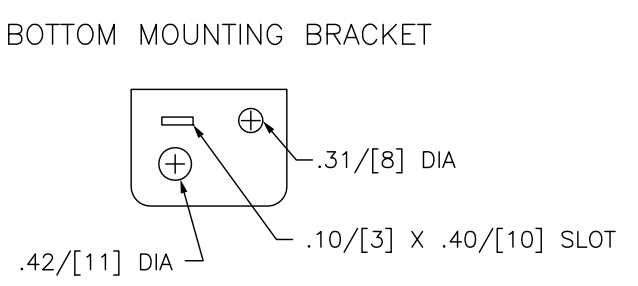
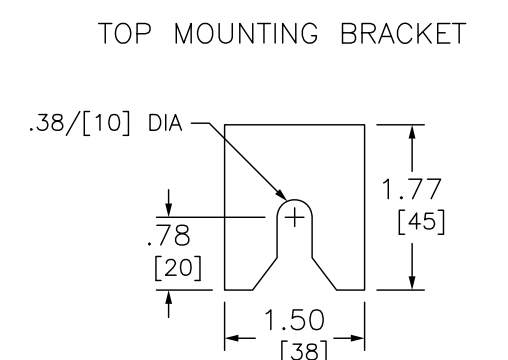
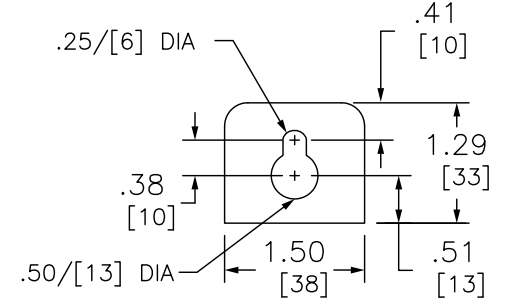


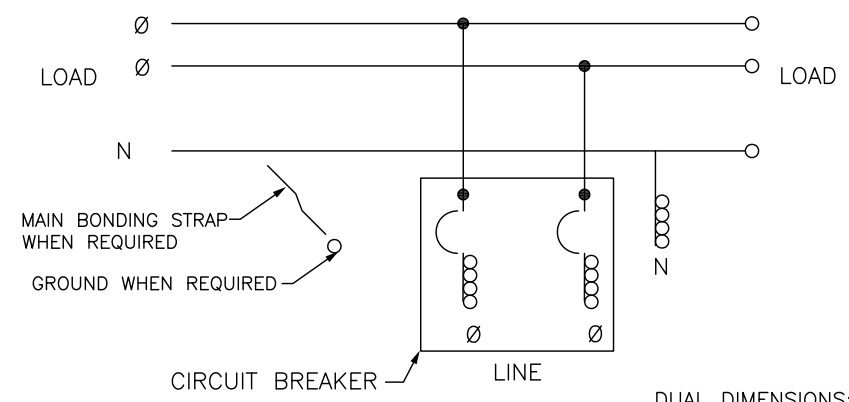
- ◆ ADDITIONAL NOTES:
 ALTERNATE LUG KITS ARE AVAILABLE FOR USE ON LINE SIDE OF MOLDED CASE CIRCUIT BREAKER (REFER TO DIGEST 175, PAGE 7-39).
- ▼ ALTERNATE NEUTRAL LUG AVAILABLE, ORDER ONE (1) KIT, MMLK250 FOR (1) #1/0 AWG-600 KCMIL OR (2) #1/0 AWG-250 KCMIL AL/CU (KIT INCLUDES THREE, 2-BARREL LUGS), NEUTRAL WILL ACCOMMODATE TWO, 2-BARREL LUGS ONLY.
- UTILITY LUG LANDING KIT AVAILABLE, ORDER ONE (1) KIT, EZM1200ULL

THE FOLLOWING OPTIONAL LUGS MAY BE INSTALLED ON THE UTILITY LUG LANDING KIT.

MANUFACTURER	CATALOG NUMBER	WIRE RANGE, AWG/KCMIL	CRIMPING TOOL	TORQUE LB-IN
ANDERSON	VHCL50012BN	4/0-500 CU	VC63, VC7, VC6FT, VC7FT	-
ANDERSON	VHCL60012BN	250-600 CU	VC6FT, VC7FT, VC8	-
ANDERSON	VHCL75012BN	500-750 CU	VC6FT, VC7FT, VC8	-
ANDERSON	VACL50012BN	4/0-500 CU-AL	VC63, VC6FT	-
ANDERSON	VACL60012BN	350-600 AL/350-500 CU	VC6FT, VC8	-
ANDERSON	VACL75012BN	500-750 AL/500 CU	VC6FT, VC8	-
ANDERSON	VCEL05012H2	2/0-500 CU-AL	VC63, VC6FT	-
ANDERSON	VCEL06012H2	400-600 AL/400-500 CU	VC6FT	-
ANDERSON	VCEL07512H2	500-750 AL/500 CU	VC6FT	-
ANDERSON	VCELC05012H2	250-500 CU	VC63, VC7, VC6FT, VC7FT	-
IlSCO	2ACL-600	250-600 CU-AL	IDT-12	-
IlSCO	TA-600-2N▲	2-600 CU-AL	-	375
IlSCO	TA-800-2N	300-800 CU-AL	-	500
IlSCO	TA-1000-2N	500-1000 CU-AL	-	500
CMC	A1B2-600-2	2-600 CU-AL	-	375
CMC	L1D2-600	2-600 CU-AL	-	550
CMC	L1D2-800	300-800 CU-AL	-	550
CMC	L1D2-1000	500-1000 CU-AL	-	550
1/2-13 MOUNTING NUTS FOR LINE LUGS				375



▲ THIS LUG IS AVAILABLE FROM SQUARE D. ORDER CATALOG NUMBER CME4. KIT INCLUDES 4 LUGS.



DUAL DIMENSIONS: INCHES MILLIMETERS

NOTES:
 FINISH - GRAY BAKED ENAMEL POWDER COAT PAINT OVER CLEANED GALVANNEALED STEEL.
 UL LISTED - FILE E131840, VOL. M
 SUITABLE FOR USE AS SERVICE EQUIPMENT.
 MAIN HORIZONTAL CROSS BUS RATED AT 1200 AMPERES.
 MAIN DEVICES ARE SEALABLE BY UTILITY.
 GANGABLE MULTI-METERING EQUIPMENT IS DESIGNED FOR WALL MOUNTING ONLY.
 (NOT SUITABLE FOR FLOOR STANDING EQUIPMENT.)
 *1200A MAIN CIRCUIT BREAKER MUST BE CENTER MOUNTED WHEN USED WITH BRANCH DEVICES WITH MAIN BUS RATED 800A.

SYSTEM TYPE	MAIN RATING (AMPERES)	CATALOG NUMBER	MAIN CIRCUIT BREAKER (FACTORY INSTALLED)	LINE SIDE PHASE LUG WIRE RANGE FOR AL OR CU CONDUCTORS (SUPPLIED WITH BREAKER)	LINE SIDE NEUTRAL LUG WIRE RANGE FOR AL OR CU CONDUCTORS (FACTORY INSTALLED)	GROUND LUG WIRE RANGE (FACTORY INSTALLED)
1 Ø 3W 120/240 VAC	1000	EZM11000GCBU	PGP36100U31A	(4) 3/0-500 ◆	(4) 3/0-500 ▼	(1) #6-300
	1000	EZM11000JCBU	PJP36100U31A	(4) 3/0-500 ◆	(4) 3/0-500 ▼	(1) #6-300
	1200	EZM11200GCBU	PGP36120U31A	(4) 3/0-500 ◆	(4) 3/0-500 ▼	(1) #6-300
	1200	EZM11200JCBU	PJP36120U31A	(4) 3/0-500 ◆	(4) 3/0-500 ▼	(1) #6-300

EZ METER-PAK GANGABLE
 MULTI-METERING EQUIPMENT
 1200A 1PH 3W MAIN CIRCUIT BREAKER DEVICES
 UNDERGROUND FEED
 RAINPROOF NEMA TYPE 3R ENCLOSURES

by Schneider Electric

DWG# PWFDS-SYRS-0034
 NO.