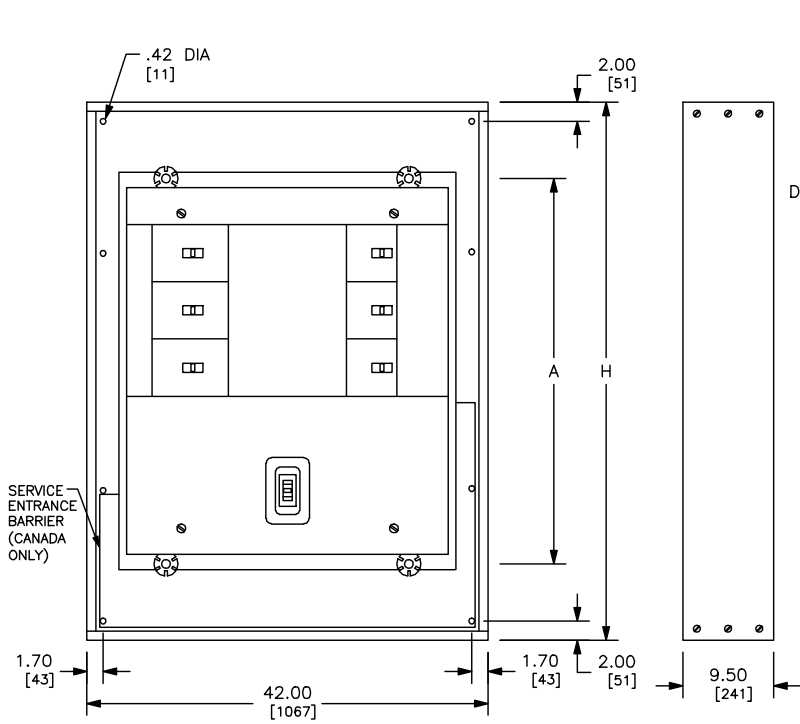
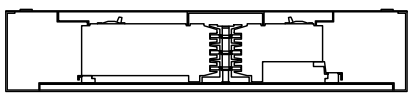


REV	DESCRIPTION	BY	DATE				
---	---	---	---	---	---	---	---

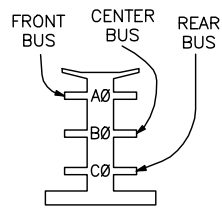


**TYPICAL BOX WITH INTERIOR**

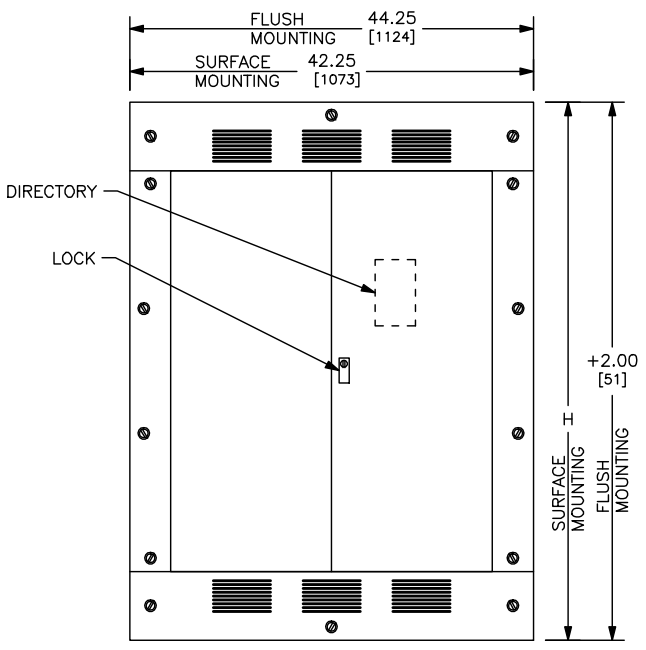
**TYPICAL BOX SIDE VIEW**



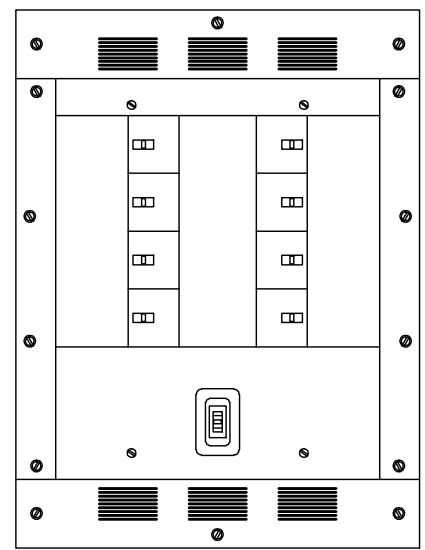
**TYPICAL MOUNTING OF DG, DJ, DL, FA, FC, FD, FG, FH, FI, FJ, FK, FY, HD, HG, HJ, HL, JD, JG, JJ, JL, KA, KC, KH, KI, LA, LC, LE, LH, LI, LX, LXI, MG, MJ, PG, PJ, PK, PL, Q2, Q2H, Q2-H, QB, QD, QG, QJ, OR QO, BREAKERS**



BRANCH CONNECTION PHASING IS DETERMINED BY CIRCUIT BREAKER SELECTION



**TYPICAL FRONT**  
(4 PIECE TRIM - WITH DOOR)



**TYPICAL SURFACE FRONT**  
(4 PIECE TRIM - NO DOOR)

REFER TO DP CATALOG CLASS 2110 FOR ADDITIONAL INFORMATION.

I-LINE HCP PANELBOARDS MEET THE APPLICABLE REQUIREMENTS OF UL AND CSA.

BOX: CODE GAUGE GALVANIZED STEEL WITH REMOVABLE BLANK ENDWALL.

FRONT: CODE GAUGE STEEL. GRAY BAKED ENAMEL FINISH ELECTRODEPOSITED OVER CLEANED PHOSPHATIZED STEEL.

LOCK: (COVERS WITH DOORS) HAVE 3 POINT ESCUTCHEON FLUSH LOCK WITH NSR-251 KEY.

FOR MENA TYPE 3R APPLICATIONS USE IN CONJUNCTION WITH PBA412.

DUAL DIMENSIONS: INCHES MILLIMETERS

MAXIMUM MAIN BREAKER AMPERE RATING	BRANCH BREAKER MOUNTING SPACE (INCHES)	H		A	
		IN	MM	IN	MM
600/800	36	68.00	1727	47.70	1204
	72	86.00	2184	65.40	1661

JOB NAME: ---	EQUIPMENT DESIGNATION: ---
JOB LOCATION: ---	EQUIPMENT TYPE: I-LINE HCP VERTICAL MCB
DRAWN BY: ---	DRAWING TYPE:
ENGR: ---	
DATE: MAY 2010	
DRAWING STATUS: NEW	DWG# PBA420
PG 01 OF 01 REV ---	