

**NOTES:**

1. INSTALLATION SHALL COMPLY WITH ALL APPLICABLE NATIONAL, STATE AND LOCAL ELECTRICAL REGULATIONS.
2. REFER TO PRODUCT DOCUMENTATION FOR ADDITIONAL DETAILS PRIOR TO INSTALLATION AND SITE PREPARATION WORK.
3. ALL DIMENSIONS ARE IN MILLIMETERS [INCHES].
- △ 4. FRONT AND REAR ACCESS REQUIRED FOR SERVICE. MINIMUM REQUIRED FRONT/REAR CLEARANCE IS 36.0 [914].
5. NET WEIGHT OF THE UNIT IS 238kg [524.7 lb]. STATIC WEIGHT RATING IS 400kg [882 lb].
6. TOP AND BOTTOM CABLE ENTRY USING APPROPRIATE CUSTOMER PROVIDED SOLUTION.
7. PROTECTION CLASS: IP55.
8. COLOR: RAL 7035 GREY.
9. HANDLES ARE SHIPPED LOOSE WITH THE UNIT.

THIS DRAWING AND SPECIFICATIONS HEREIN ARE THE PROPERTY OF SCHNEIDER ELECTRIC AND SHALL NOT BE COPIED, REPRODUCED OR USED IN WHOLE OR IN PART, AS THE BASIS FOR THE MANUFACTURE OR SALE OF ITEMS WITHOUT WRITTEN PERMISSION FROM SCHNEIDER ELECTRIC. THIS DRAWING IS BASED UPON LATEST AVAILABLE INFORMATION AND IS SUBJECT TO CHANGE WITHOUT NOTICE.



TITLE: NetShelter RX 42U Enclosure  
800mm Wide x 1200mm Deep  
FLOOR MOUNT ENCLOSURE  
GENERAL ARRANGEMENT

DWG NO: NSYSFRSEDC208120

REV: 1

DRAWN BY: JAYAPRAKASH 21-DEC-21

FIRST

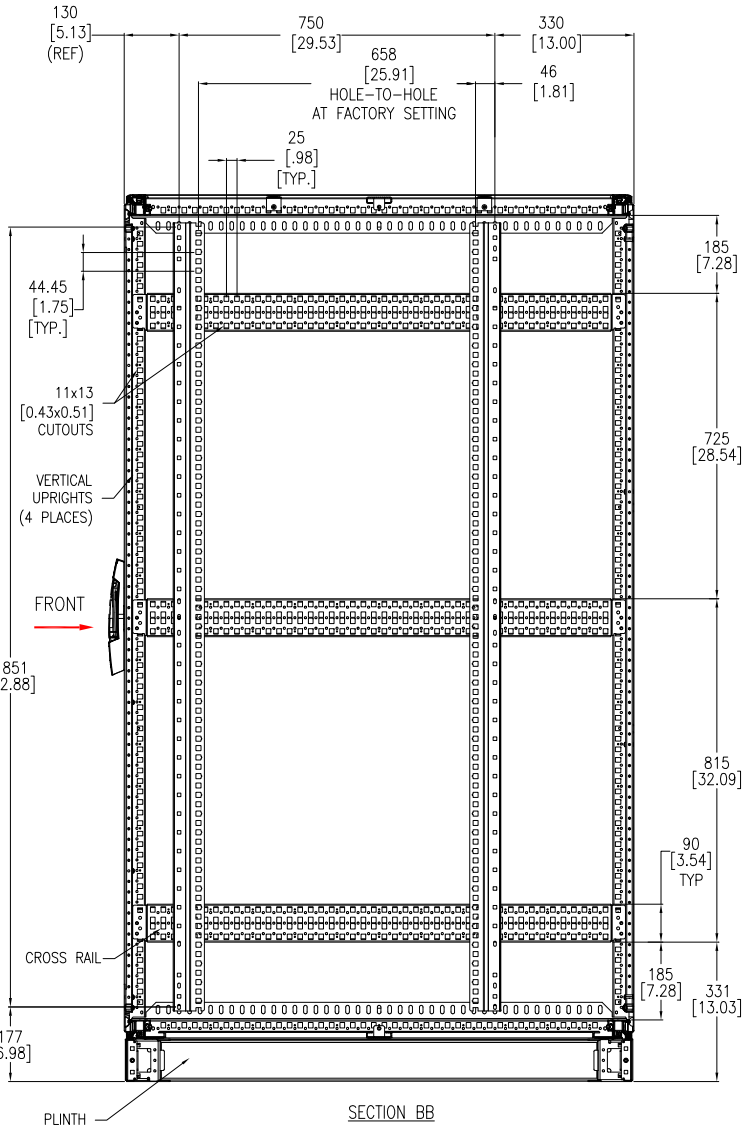
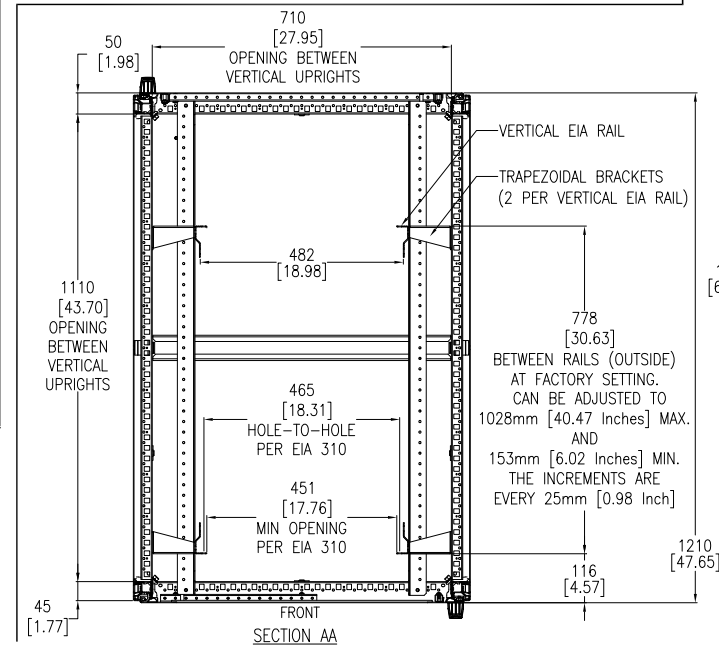
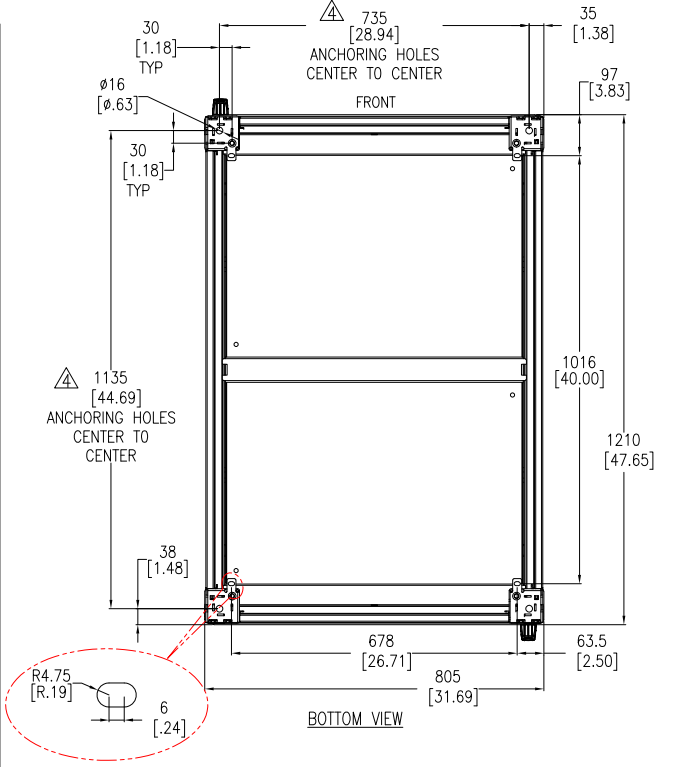
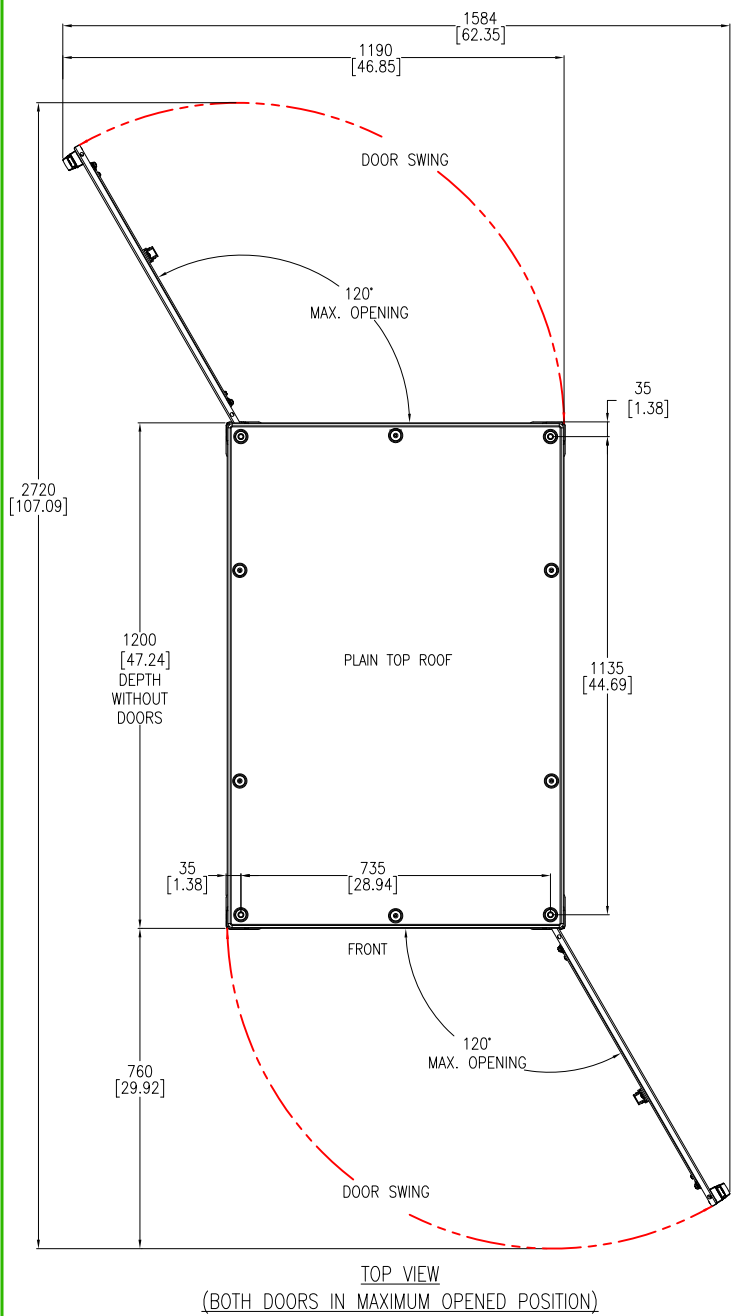
ENGINEER: FARRUKH SYED 21-DEC-21

ANGLE

APPROVED BY: KEVIN LEMKE 21-DEC-21

PROJECTION

PROJECT: SUBMITTAL DRAWINGS SHEET 1 OF 2



- NOTES:**
1. INSTALLATION SHALL COMPLY WITH ALL APPLICABLE NATIONAL, STATE AND LOCAL ELECTRICAL REGULATIONS.
  2. REFER TO PRODUCT DOCUMENTATION FOR ADDITIONAL DETAILS PRIOR TO INSTALLATION AND SITE PREPARATION WORK.
  3. ALL DIMENSIONS ARE IN MILLIMETERS [INCHES].
  - △ 4. ANCHORING BOLTS ARE NOT SUPPLIED WITH THE UNIT.

THIS DRAWING AND SPECIFICATIONS HEREIN ARE THE PROPERTY OF SCHNEIDER ELECTRIC AND SHALL NOT BE COPIED, REPRODUCED OR USED IN WHOLE OR IN PART, AS THE BASIS FOR THE MANUFACTURE OR SALE OF ITEMS WITHOUT WRITTEN PERMISSION FROM SCHNEIDER ELECTRIC. THIS DRAWING IS BASED UPON LATEST AVAILABLE INFORMATION AND IS SUBJECT TO CHANGE WITHOUT NOTICE.



**TITLE:** NetShelter RX 42U Enclosure  
800mm Wide x 1200mm Deep  
FLOOR MOUNT ENCLOSURE  
TOP/BOTTOM & SECTION SHOWN

<b>DWG NO:</b> NSYSFRSEDC208120	<b>REV:</b> 2
<b>DRAWN BY:</b> JAYAPRAKASH	22-AUG-22
<b>ENGINEER:</b> FARRUKH SYED	22-AUG-22
<b>APPROVED BY:</b> KEVIN LEMKE	22-AUG-22

PROJECT: SUBMITTAL DRAWINGS SHEET 2 OF 2

FIRST ANGLE PROJECTION