

Item	Description	Function	Item	Description	Function
1	LCD Display	4.3 inch touch screen color display.	5	Status LED	Displays current network management card status
2	Power LED	The cooling unit is powered when the LED is illuminated. Unit firmware is updating when LED is blinking.	6	Display Reset button	Resets the display microprocessor. This has no effect on the air conditioner controller.
3	Check Log LED	When this LED is illuminated, a new entry has been made to event log.	7	Link-RX/TX (10/100) LED	Display current network status.
4	Alarm LED	Displays current alarm condition of unit.	8	Micro SD card slot	Memory card expansion slot.

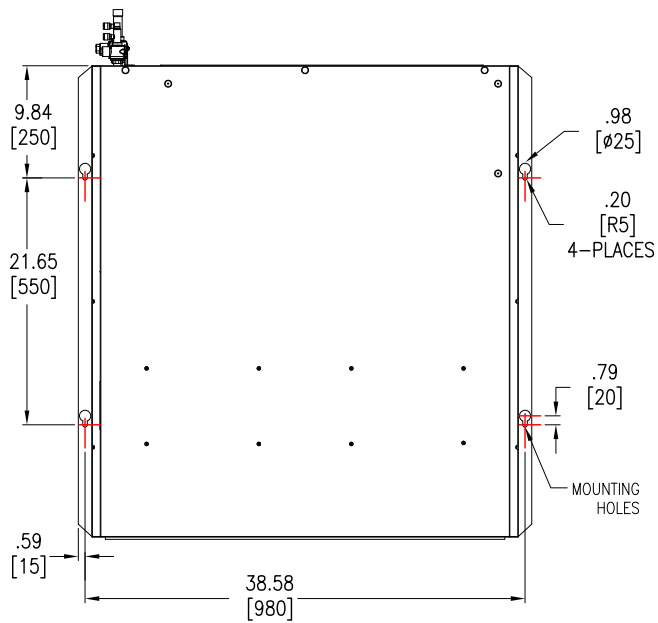
- NOTES:**
- INSTALLATION SHALL COMPLY WITH ALL APPLICABLE NATIONAL, STATE AND LOCAL CODES.
 - PLEASE REFER TO PRODUCT MANUALS PRIOR TO INSTALLATION AND SITE PREPARATION WORK FOR FURTHER DETAILS.
 - ALL DIMENSIONS ARE IN INCHES [MILLIMETERS].
 - BOTTOM, RIGHT, LEFT AND REAR CLEARANCE IS REQUIRED FOR SERVICE. MINIMUM RECOMMENDED CLEARANCE IS BOTTOM 36" [914mm]. RIGHT AND LEFT - 18" [457mm]. REAR - 12" [304].
 - WEIGHT OF THE UNIT IS 165.40 lbs [75.0 kg].
 - MAXIMUM HEIGHT OF THE UNIT INCLUDES TOP PROTRUSIONS AND CAPTIVE FASTENERS.
 - REFER TO REMOTE DISPLAY INSTALLATION MANUAL FOR MOUNTING DISPLAY INTERFACE

THIS DRAWING AND SPECIFICATIONS HEREIN ARE THE PROPERTY OF SCHNEIDER ELECTRIC AND SHALL NOT BE COPIED, REPRODUCED OR USED IN WHOLE OR IN PART, AS THE BASIS FOR THE MANUFACTURE OR SALE OF ITEMS WITHOUT WRITTEN PERMISSION FROM SCHNEIDER ELECTRIC. THIS DRAWING IS BASED UPON LATEST AVAILABLE INFORMATION AND IS SUBJECT TO CHANGE WITHOUT NOTICE.

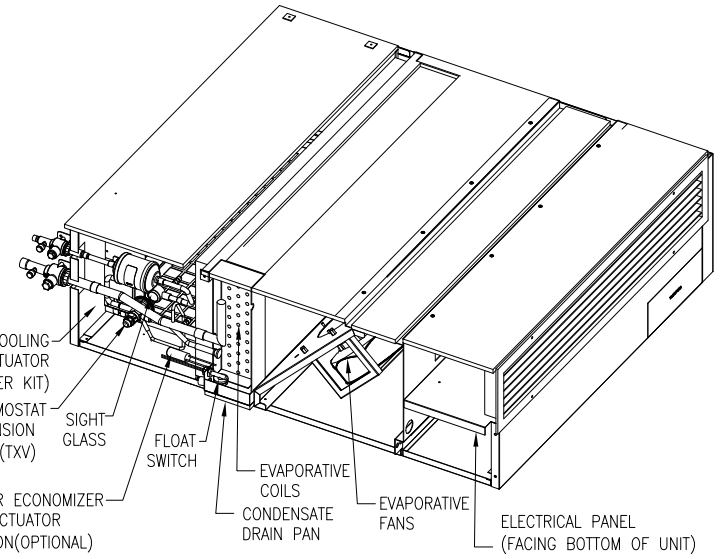


TITLE: COOLING SOLUTIONS UNIFLAI-SP SPLIT UNIT CEILING MOUNT EVAPORATOR 6kW, 208/230V, 1ph, 60Hz GENERAL ARRANGEMENT
 PROJECT: DRAWINGS SHEET 1 OF 3

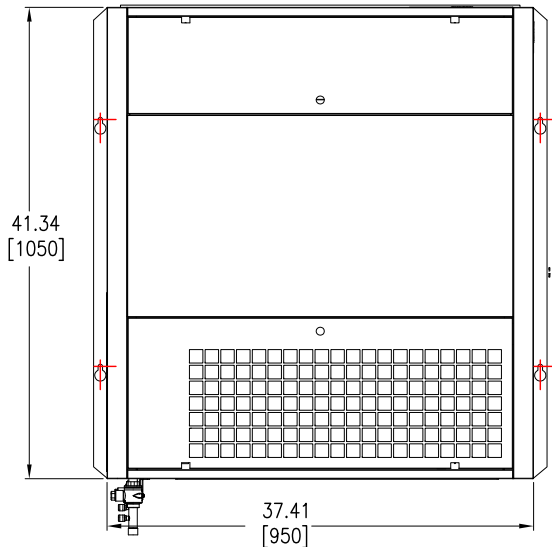
DWG NO: UCF03411 REV. 0
 DRAWN BY: K.NAGENDRA 08-MAR-19 THIRD ANGLE
 ENGINEER: KEVIN.T/J.S CLAIR 08-MAR-19
 APPROVED BY: JEFF ST CLAIR 08-MAR-19 PROJECTION



TOP VIEW

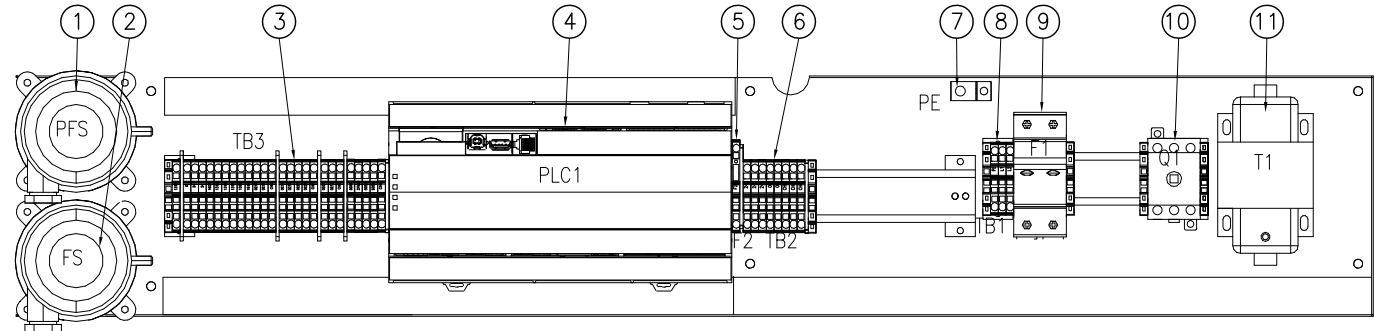


INTERNAL DETAILS
(ISOMETRIC VIEW)



BOTTOM VIEW

ELECTRICAL PANELS



Item	Description	Item	Description
1	Clogged Filter Pressure Switch (PFS)	7	Ground (PE)
2	Air flow Pressure Switch (FS)	8	Terminal Block (TB1)
3	Terminal Block (TB3)	9	Fuse (F1)
4	J5 Controller (PLC1)	10	Internal Power Disconnect Switch (Q1)
5	Fuse (F2)	11	Transformer (T1)
6	Terminal Block (TB2)		

NOTES:

1. INSTALLATION SHALL COMPLY WITH ALL APPLICABLE NATIONAL, STATE AND LOCAL CODES.
2. PLEASE REFER TO PRODUCT MANUALS PRIOR TO INSTALLATION AND SITE PREPARATION WORK FOR FURTHER DETAILS.
3. ALL DIMENSIONS ARE IN INCHES [MILLIMETERS].
4. SOME STRUCTURAL DETAILS HAVE BEEN OMITTED FOR THE PURPOSE OF CLARITY.

THIS DRAWING AND SPECIFICATIONS HEREIN ARE THE PROPERTY OF SCHNEIDER ELECTRIC AND SHALL NOT BE COPIED, REPRODUCED OR USED IN WHOLE OR IN PART, AS THE BASIS FOR THE MANUFACTURE OR SALE OF ITEMS WITHOUT WRITTEN PERMISSION FROM SCHNEIDER ELECTRIC. THIS DRAWING IS BASED UPON LATEST AVAILABLE INFORMATION AND IS SUBJECT TO CHANGE WITHOUT NOTICE.



TITLE: COOLING SOLUTIONS
UNIFLAI-SP
SPLIT UNIT CEILING MOUNT EVAPORATOR
6kW, 208/230V, 1ph, 60Hz
TOP, BOTTOM VIEW & INTERNAL DETAILS
PROJECT: DRAWINGS SHEET 2 OF 3

DWG NO: UCF03411 REV. 0
DRAWN BY: K.NAGENDRA 08-MAR-19 THIRD ANGLE
ENGINEER: KEVIN.T/J.S CLAIR 08-MAR-19 PROJECTION
APPROVED BY: JEFF ST CLAIR 08-MAR-19

Working Conditions and Environmental Limits

Limit Working Conditions

Power supply	208V/230V, 1PH, 60Hz
Voltage Input Tolerance	-5%/10%
Voltage Imbalance	Maximum 3% for 3-phase units
Frequency Input Tolerance-Continuously	±0.5Hz
Frequency Input Tolerance-Short time	±1.0Hz
Maximum Altitude	2000m (6562 ft)
Room Conditions	
Temperature	18°C to 40°C (64.4°F to 104°F)
Humidity	Relative Humidity: 30 to 70 RH
Ambient Operating Temperature	
Temperature	-17.7°C to 50°C (0°F to 122°F)

Piping Connection Sizes

Model	Liquid Line	Suction Line
UCF0341I	3/8 inch ODF	3/4 inch ODF

WEIGHT OF THE EVAPORATOR IS 166lbs (75kg)

Electrical Data

Overall Unit

Voltage	208V, 1Ph, 60Hz
	230V, 1Ph, 60Hz
FLA (A)	3.0
MCA (A)	4.5
MOP (A)	15

FLA - Full Load Amps

MCA - Minimum Circuit Amps

MOP - Maximum Overcurrent

Fans

Quantity	2
FLA (A)	1.5

FLA - Full Load Amps

NOTES:

1. INSTALLATION SHALL COMPLY WITH ALL APPLICABLE NATIONAL, STATE AND LOCAL CODES.
2. PLEASE REFER TO PRODUCT MANUALS PRIOR TO INSTALLATION AND SITE PREPARATION WORK FOR FURTHER DETAILS.

THIS DRAWING AND SPECIFICATIONS HEREIN ARE THE PROPERTY OF SCHNEIDER ELECTRIC AND SHALL NOT BE COPIED, REPRODUCED OR USED IN WHOLE OR IN PART, AS THE BASIS FOR THE MANUFACTURE OR SALE OF ITEMS WITHOUT WRITTEN PERMISSION FROM SCHNEIDER ELECTRIC. THIS DRAWING IS BASED UPON LATEST AVAILABLE INFORMATION AND IS SUBJECT TO CHANGE WITHOUT NOTICE.



TITLE: COOLING SOLUTIONS
UNIFLAIR-SP
SPLIT UNIT CEILING MOUNT EVAPORATOR
6kW, 208/230V, 1ph, 60Hz
PIPING & ELECTRICAL DETAILS

PROJECT: DRAWINGS SHEET 3 OF 3

DWG NO: UCF0341I REV. 0

DRAWN BY: K.NAGENDRA	08-MAR-19	THIRD
ENGINEER: KEVIN.T/J.S CLAIR	08-MAR-19	ANGLE
APPROVED BY: JEFF ST CLAIR	08-MAR-19	PROJECTION