

NOTES:

1. INSTALLATION SHALL COMPLY WITH ALL APPLICABLE NATIONAL, STATE AND LOCAL CODES.
2. PLEASE REFER TO PRODUCT MANUALS PRIOR TO INSTALLATION AND SITE PREPARATION WORK FOR FURTHER DETAILS.
3. ALL DIMENSIONS ARE IN INCHES [MILLIMETERS].
4. CLEARANCE REQUIRED FOR SERVICE.
MINIMUM RECOMMENDED CLEARANCE IS FRONT - 36" [914mm].
TOP - 12" [304], REAR - 6" [152].
SERVICE SIDE OF UNIT - 20" [508], NON-SERVICE SIDE - 6" [152].
5. WEIGHT OF THE UNIT IS 308.70 lbs [140.0 kg].
6. MAXIMUM HEIGHT OF THE UNIT INCLUDES TOP PROTRUSIONS AND CAPTIVE FASTENERS.

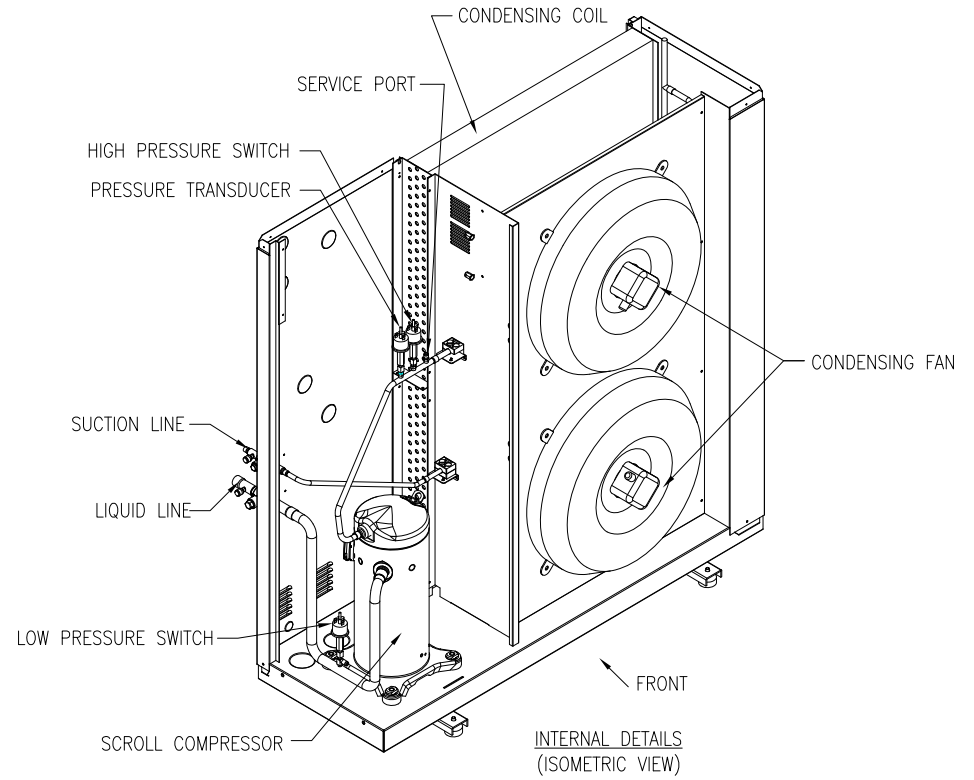
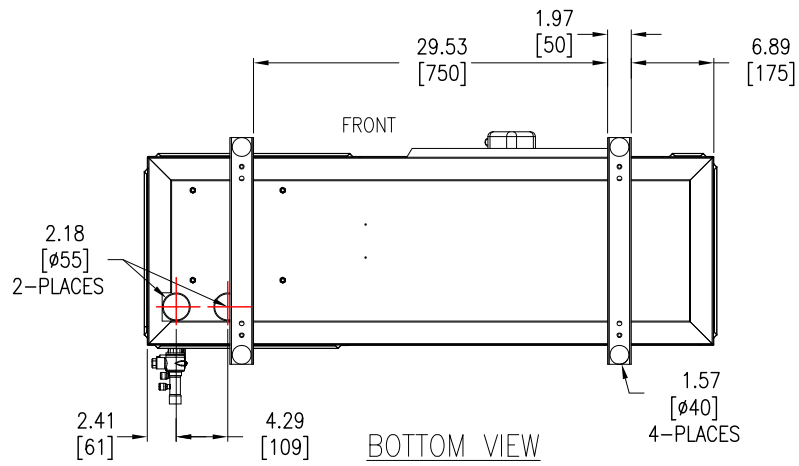
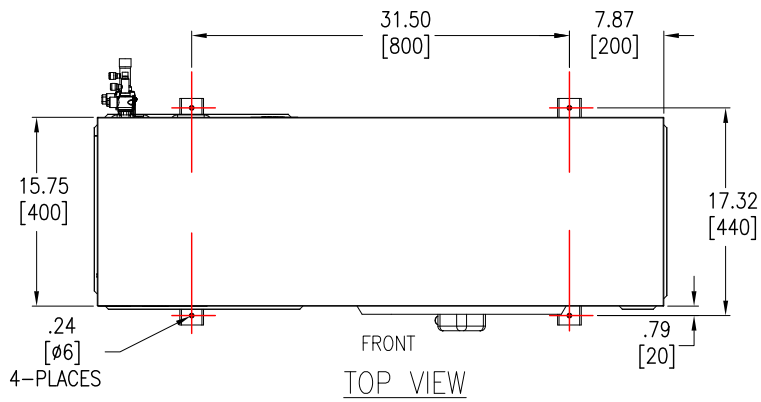
THIS DRAWING AND SPECIFICATIONS HEREIN ARE THE PROPERTY OF SCHNEIDER ELECTRIC AND SHALL NOT BE COPIED, REPRODUCED OR USED IN WHOLE OR IN PART, AS THE BASIS FOR THE MANUFACTURE OR SALE OF ITEMS WITHOUT WRITTEN PERMISSION FROM SCHNEIDER ELECTRIC. THIS DRAWING IS BASED UPON LATEST AVAILABLE INFORMATION AND IS SUBJECT TO CHANGE WITHOUT NOTICE.



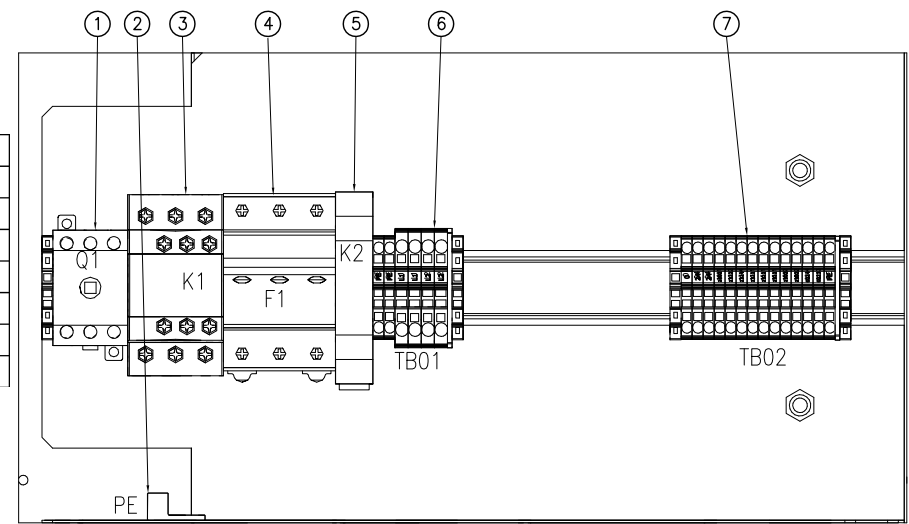
TITLE: COOLING SOLUTIONS
UNIFLAI-SP
SPLIT UNIT OUT DOOR CONDENSING UNIT
12kW, 208/230V, 3ph, 60Hz
GENERAL ARRANGEMENT

PROJECT: DRAWINGS SHEET 1 OF 3

DWG NO:	MRA0661D	REV:	0
DRAWN BY:	K.NAGENDRA	DATE:	06-MAR-19
ENGINEER:	KEVIN T/J.S CLAIR	DATE:	06-MAR-19
APPROVED BY:	JEFF ST CLAIR	DATE:	06-MAR-19
		ANGLE:	THIRD
		PROJECTION:	ANGLE



ELECTRICAL PANELS



Item	Description
1	Internal Power Disconnect Switch (Q1)
2	Ground (PE)
3	Compressor Contactor (K1)
4	Fuse (F1)
5	Voltage Presence relay/3-Phase Monitor (K2)
6	Terminal Block (TB01)
7	Terminal Block (TB02)

- NOTES:
1. INSTALLATION SHALL COMPLY WITH ALL APPLICABLE NATIONAL, STATE AND LOCAL CODES.
 2. PLEASE REFER TO PRODUCT MANUALS PRIOR TO INSTALLATION AND SITE PREPARATION WORK FOR FURTHER DETAILS.
 3. ALL DIMENSIONS ARE IN INCHES [MILLIMETERS].
 4. SOME STRUCTURAL DETAILS HAVE BEEN OMITTED FOR THE PURPOSE OF CLARITY.

THIS DRAWING AND SPECIFICATIONS HEREIN ARE THE PROPERTY OF SCHNEIDER ELECTRIC AND SHALL NOT BE COPIED, REPRODUCED OR USED IN WHOLE OR IN PART, AS THE BASIS FOR THE MANUFACTURE OR SALE OF ITEMS WITHOUT WRITTEN PERMISSION FROM SCHNEIDER ELECTRIC. THIS DRAWING IS BASED UPON LATEST AVAILABLE INFORMATION AND IS SUBJECT TO CHANGE WITHOUT NOTICE.



TITLE: COOLING SOLUTIONS
UNIFLAI-SP
SPLIT UNIT OUT DOOR CONDENSING UNIT
12kW, 208/230V, 3ph, 60Hz
TOP, BOTTOM VIEW & INTERNAL DETAILS
PROJECT: DRAWINGS SHEET 2 OF 3

DWG NO: MRA0661D
DRAWN BY: K.NAGENDRA 06-MAR-19
ENGINEER: KEVIN.T/J.S CLAIR 06-MAR-19
APPROVED BY: JEFF ST CLAIR 06-MAR-19

REV. 0
THIRD ANGLE PROJECTION

Working Conditions and Environmental Limits

Limit Working Conditions

Power supply	208V/230V, 1PH, 60Hz
Voltage Input Tolerance	-5%/10%
Voltage Imbalance	Maximum 3% for 3-phase units
Frequency Input Tolerance-Continuously	±0.5Hz
Frequency Input Tolerance-Short time	±1.0Hz
Maximum Altitude	2000m (6562 ft)
Room Conditions	
Temperature	18°C to 40°C (64.4°F to 104°F)
Humidity	Relative Humidity: 30 to 70 RH
Ambient Operating Temperature	
Temperature	-17.7°C to 50°C (0°F to 122°F)

Piping Connection Sizes

Model	Liquid Line	Suction Line
MRA0611D	3/8 inch ODF	7/8 inch ODF

WEIGHT OF THE CONDENSER IS 309lbs (140kg)

Electrical Data

Overall Unit

Voltage	208V, 3Ph, 60Hz
	230V, 3Ph, 60Hz
FLA (A)	23.1
MCA (A)	27.0
MOP (A)	40.0

FLA - Full Load Amps

MCA - Minimum Circuit Amps

MOP - Maximum Overcurrent

Compressor

Quantity	1
LRA (A)	110.0
RLA (A)	15.9

LRA - Locked Rotor Amps

RLA - Rated Load Amps

Axial Fans

Quantity	2
FLA (A)	3.6

FLA - Full Load Amps

NOTES:

1. INSTALLATION SHALL COMPLY WITH ALL APPLICABLE NATIONAL, STATE AND LOCAL CODES.
2. PLEASE REFER TO PRODUCT MANUALS PRIOR TO INSTALLATION AND SITE PREPARATION WORK FOR FURTHER DETAILS.

THIS DRAWING AND SPECIFICATIONS HEREIN ARE THE PROPERTY OF SCHNEIDER ELECTRIC AND SHALL NOT BE COPIED, REPRODUCED OR USED IN WHOLE OR IN PART, AS THE BASIS FOR THE MANUFACTURE OR SALE OF ITEMS WITHOUT WRITTEN PERMISSION FROM SCHNEIDER ELECTRIC. THIS DRAWING IS BASED UPON LATEST AVAILABLE INFORMATION AND IS SUBJECT TO CHANGE WITHOUT NOTICE.



TITLE: COOLING SOLUTIONS
UNIFLAIR-SP
SPLIT UNIT OUT DOOR CONDENSING UNIT
12kW, 208/230V, 3ph, 60Hz
PIPING & ELECTRICAL DETAILS
PROJECT: DRAWINGS SHEET 3 OF 3

DWG NO:	MRA0661D	REV.	0
DRAWN BY:	K.NAGENDRA	06-MAR-19	THIRD
ENGINEER:	KEVIN.T/J.S CLAIR	06-MAR-19	ANGLE
APPROVED BY:	JEFF ST CLAIR	06-MAR-19	PROJECTION