

NOTES:

1. INSTALLATION SHALL COMPLY WITH ALL APPLICABLE NATIONAL, STATE AND LOCAL CODES.
 2. REFER TO PRODUCT DOCUMENTATION FOR ADDITIONAL DETAILS PRIOR TO INSTALLATION AND SITE PREPARATION WORK.
 3. ALL DIMENSIONS ARE IN INCHES [MILLIMETERS].
 - △ 4. ONLY FRONT ACCESS REQUIRED FOR SERVICE. MINIMUM RECOMMENDED FRONT CLEARANCE IS 40.20 [1020].
 5. CABLE ENTRY IS FROM TOP OF THE UNIT.
 6. WEIGHT OF THE UNIT REFER TO THE TABLE ON SHEET-5
 7. OPERATING TEMPERATURE: 32°F TO 104° [0° TO 40°].
 8. LEFT AND RIGHT DOOR OPENS 110°.
 9. COLOR: RAL 9003 WHITE.
- △ 10. ALL CBC'S SHIPPED WITH SIDE PANELS.

THIS DRAWING AND SPECIFICATIONS HEREIN ARE THE PROPERTY OF SCHNEIDER ELECTRIC AND SHALL NOT BE COPIED, REPRODUCED OR USED IN WHOLE OR IN PART, AS THE BASIS FOR THE MANUFACTURE OR SALE OF ITEMS WITHOUT WRITTEN PERMISSION FROM SCHNEIDER ELECTRIC. THIS DRAWING IS BASED UPON LATEST AVAILABLE INFORMATION AND IS SUBJECT TO CHANGE WITHOUT NOTICE.



TITLE: Galaxy VX
BATTERY CABINET
Input: 480V, 3PH, 60Hz
Output: 480V, 3PH, 60Hz
GENERAL ARRANGEMENT

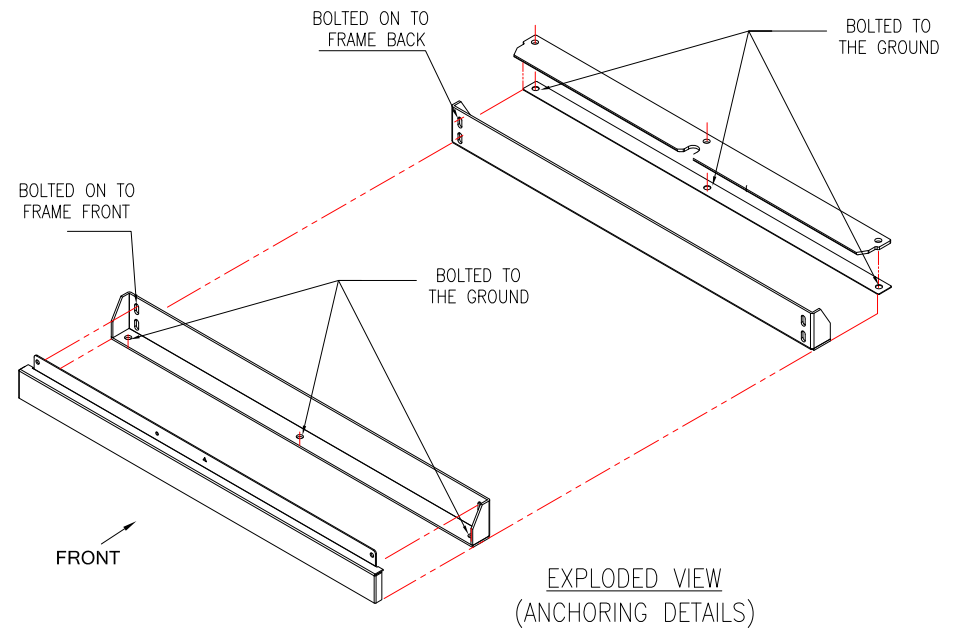
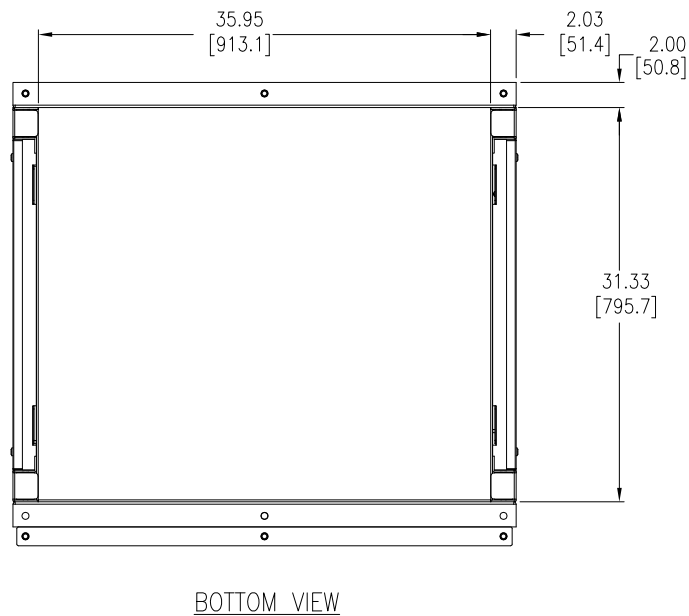
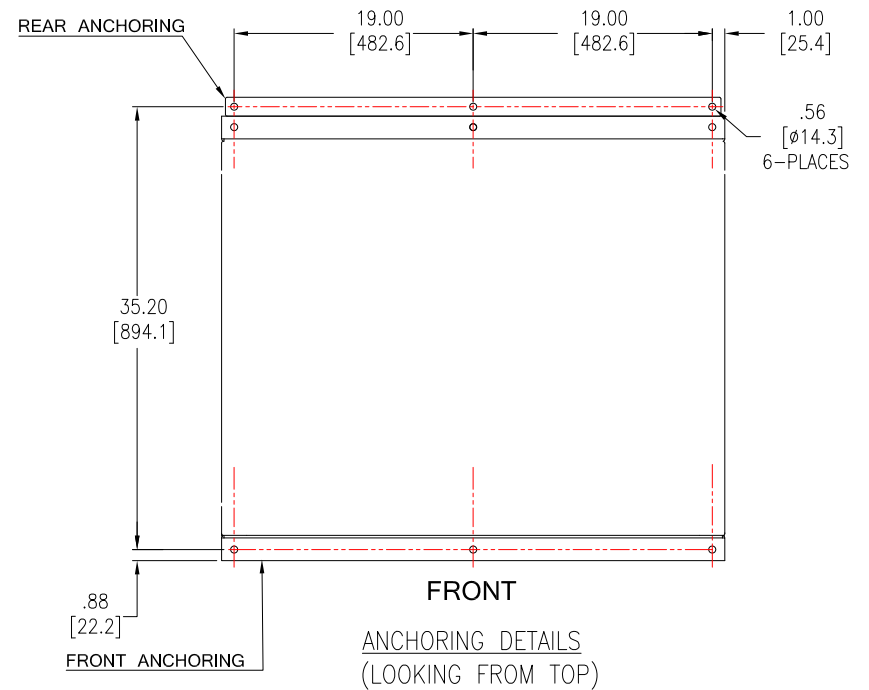
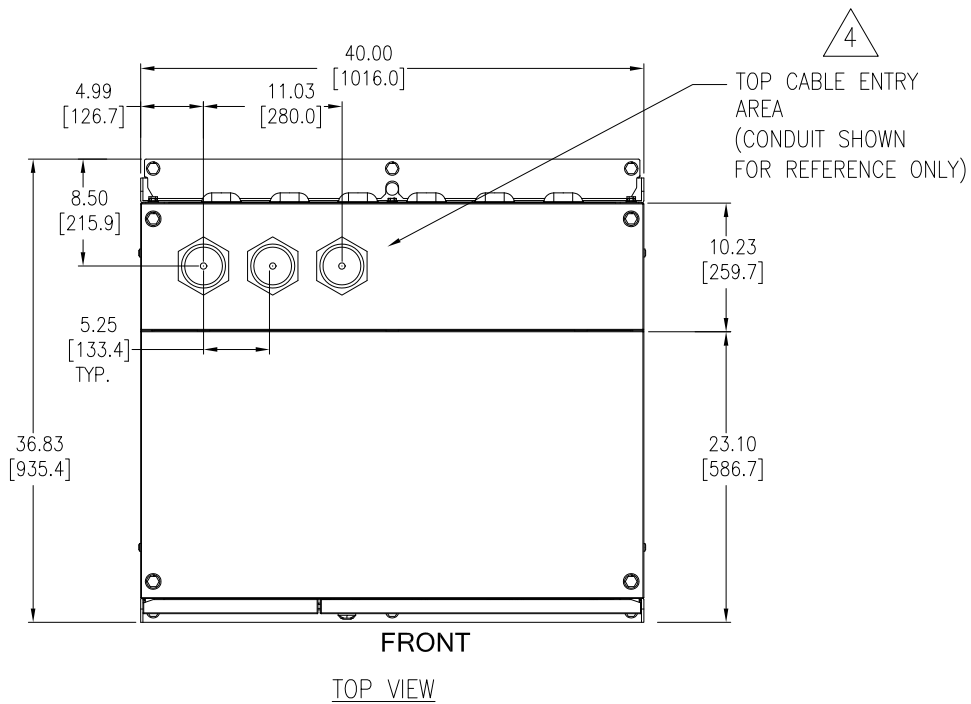
DWG NO: GVXCBC500K750GS **REV.** 1

DRAWN BY: K.NAGENDRA 02-JUN-16 **THIRD**

ENGINEER: BRIAN KOCH 02-JUN-16 **ANGLE**

PROJECT: DRAWINGS **SHEET** 1 OF 5

APPROVED BY: BRIAN KOCH 02-JUN-16 **PROJECTION**



NOTES:

1. INSTALLATION SHALL COMPLY WITH ALL APPLICABLE NATIONAL, STATE AND LOCAL CODES.
2. REFER TO PRODUCT DOCUMENTATION FOR ADDITIONAL DETAILS PRIOR TO INSTALLATION AND SITE PREPARATION WORK.
3. ALL DIMENSIONS ARE IN INCHES [MILLIMETERS].

△4. DRILL/PUNCH HOLES IN PLATE AS PER REQUIREMENT.
REMOVE PLATE FROM CABINET BEFORE DRILLING/PUNCHING.

THIS DRAWING AND SPECIFICATIONS HEREIN ARE THE PROPERTY OF SCHNEIDER ELECTRIC AND SHALL NOT BE COPIED, REPRODUCED OR USED IN WHOLE OR IN PART, AS THE BASIS FOR THE MANUFACTURE OR SALE OF ITEMS WITHOUT WRITTEN PERMISSION FROM SCHNEIDER ELECTRIC. THIS DRAWING IS BASED UPON LATEST AVAILABLE INFORMATION AND IS SUBJECT TO CHANGE WITHOUT NOTICE.



TITLE: Galaxy VX
BATTERY CABINET
Input: 480V, 3PH, 60Hz
Output: 480V, 3PH, 60Hz
TOP & BOTTOM VIEW, ANCHORING DETAILS

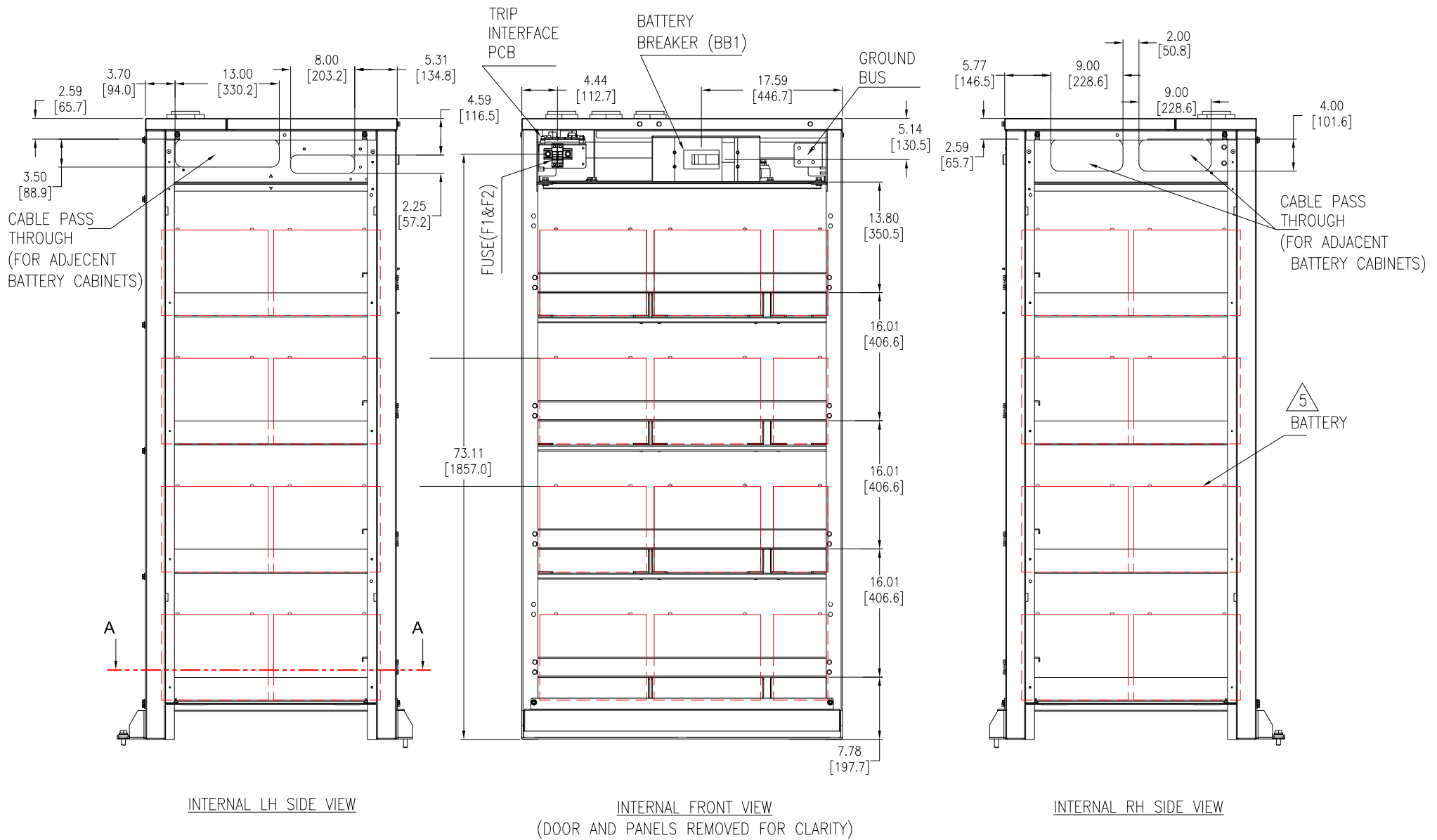
DWG NO: GVXCBC500K750GS REV. 1

DRAWN BY: K.NAGENDRA 02-JUN-16 THIRD

ENGINEER: BRIAN KOCH 02-JUN-16 ANGLE

APPROVED BY: BRIAN KOCH 02-JUN-16 PROJECTION

PROJECT: DRAWINGS SHEET 2 OF 5



NOTES:

1. INSTALLATION SHALL COMPLY WITH ALL APPLICABLE NATIONAL, STATE AND LOCAL CODES.
2. REFER TO PRODUCT DOCUMENTATION FOR ADDITIONAL DETAILS PRIOR TO INSTALLATION AND SITE PREPARATION WORK.
3. ALL DIMENSIONS ARE IN INCHES [MILLIMETERS].
4. FOR BATTERY INTERFACE DETAILS REFER TO UPS INSTALLATION MANUAL.

△5. BATTERY ARRANGEMENT SHOWN ABOVE IS TYPICAL .

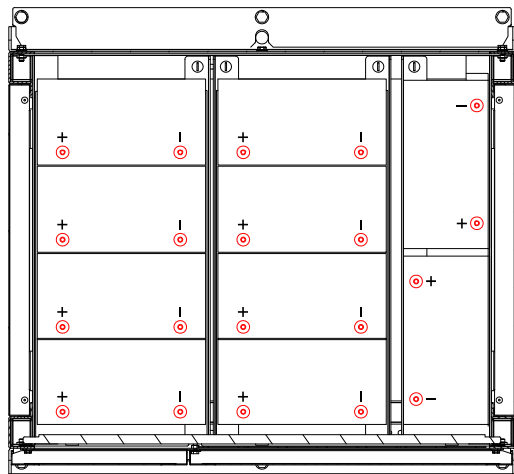
THIS DRAWING AND SPECIFICATIONS HEREIN ARE THE PROPERTY OF SCHNEIDER ELECTRIC AND SHALL NOT BE COPIED, REPRODUCED OR USED IN WHOLE OR IN PART, AS THE BASIS FOR THE MANUFACTURE OR SALE OF ITEMS WITHOUT WRITTEN PERMISSION FROM SCHNEIDER ELECTRIC. THIS DRAWING IS BASED UPON LATEST AVAILABLE INFORMATION AND IS SUBJECT TO CHANGE WITHOUT NOTICE.



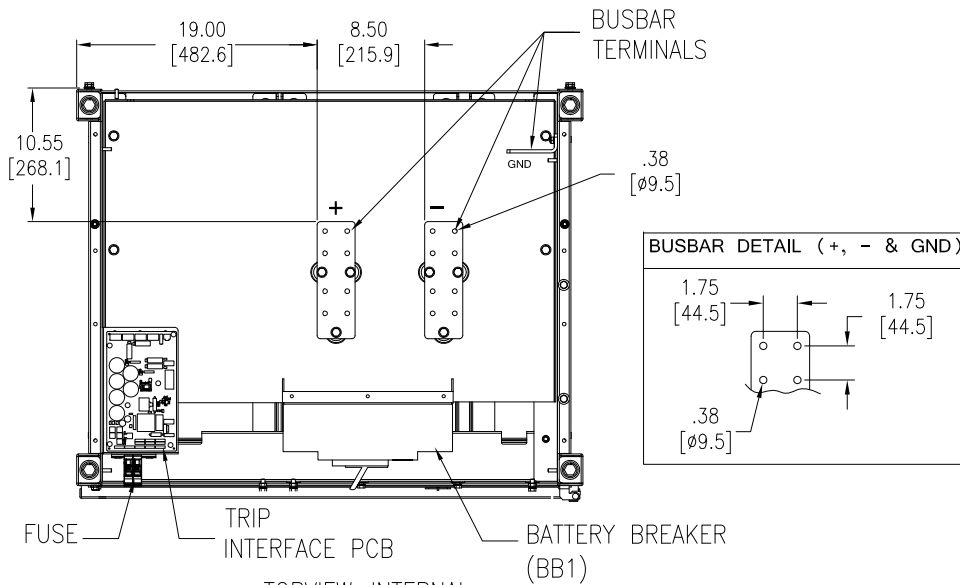
TITLE: Galaxy VX
BATTERY CABINET
Input: 480V, 3PH, 60Hz
Output: 480V, 3PH, 60Hz
INTERNAL VIEW

PROJECT: DRAWINGS **SHEET** 3 OF 5

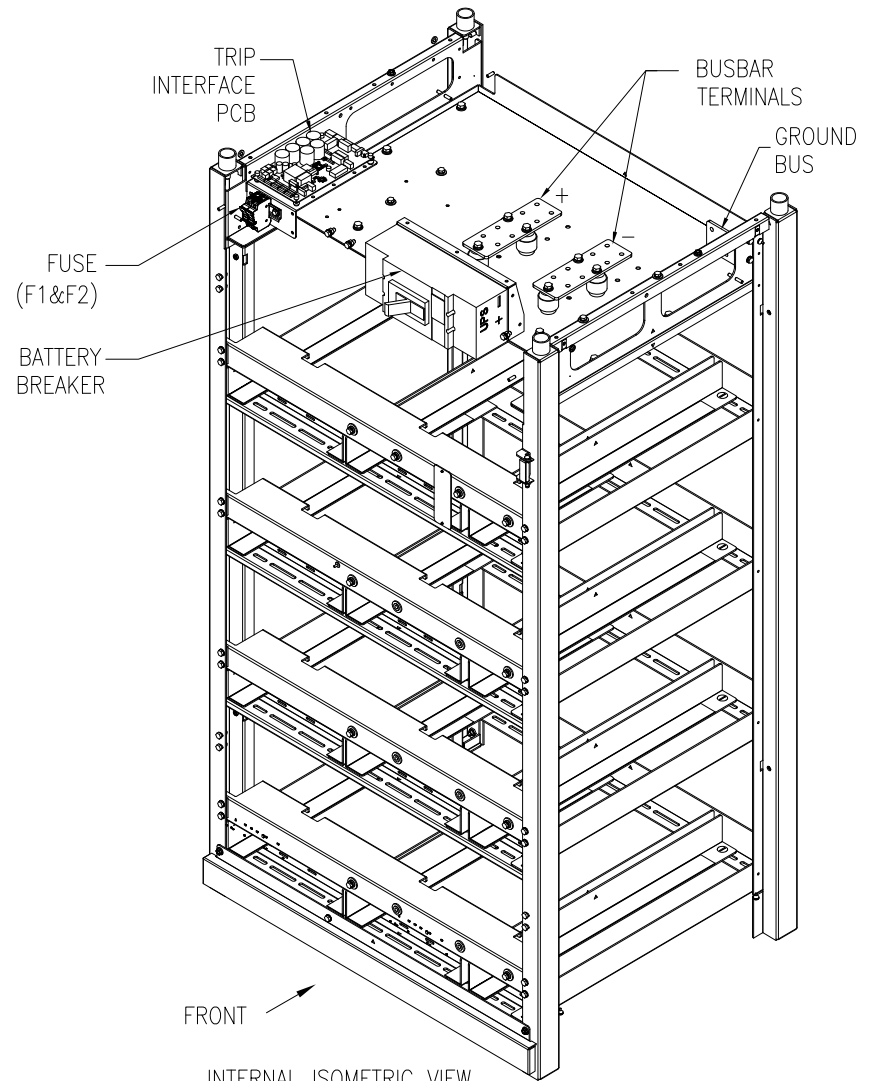
| | |
|--------------------------------|------------------------|
| DWG NO: GVXCBC500K750GS | REV. 1 |
| DRAWN BY: K.NAGENDRA | 02-JUN-16 |
| ENGINEER: BRIAN KOCH | 02-JUN-16 |
| APPROVED BY: BRIAN KOCH | 02-JUN-16 |
| | THIRD ANGLE PROJECTION |



FRONT
SECTIONAL VIEW A-A
TOP VIEW
(BATTERY SHOWN FOR REFERENCE)



TOPVIEW-INTERNAL
(TOP COVER, SIDE COVERS & FRONT
DOORS REMOVED FOR CLARITY)



INTERNAL ISOMETRIC VIEW
(BATTERY NOT SHOWN FOR CLARITY)

NOTES:

1. INSTALLATION SHALL COMPLY WITH ALL APPLICABLE NATIONAL, STATE AND LOCAL CODES.
2. REFER TO PRODUCT DOCUMENTATION FOR ADDITIONAL DETAILS PRIOR TO INSTALLATION AND SITE PREPARATION WORK.
3. ALL DIMENSIONS ARE IN INCHES [MILLIMETERS].
4. FOR MIB INTERFACE DETAILS REFER TO UPS INSTALLATION MANUAL.

THIS DRAWING AND SPECIFICATIONS HEREIN ARE THE PROPERTY OF SCHNEIDER ELECTRIC AND SHALL NOT BE COPIED, REPRODUCED OR USED IN WHOLE OR IN PART, AS THE BASIS FOR THE MANUFACTURE OR SALE OF ITEMS WITHOUT WRITTEN PERMISSION FROM SCHNEIDER ELECTRIC. THIS DRAWING IS BASED UPON LATEST AVAILABLE INFORMATION AND IS SUBJECT TO CHANGE WITHOUT NOTICE.

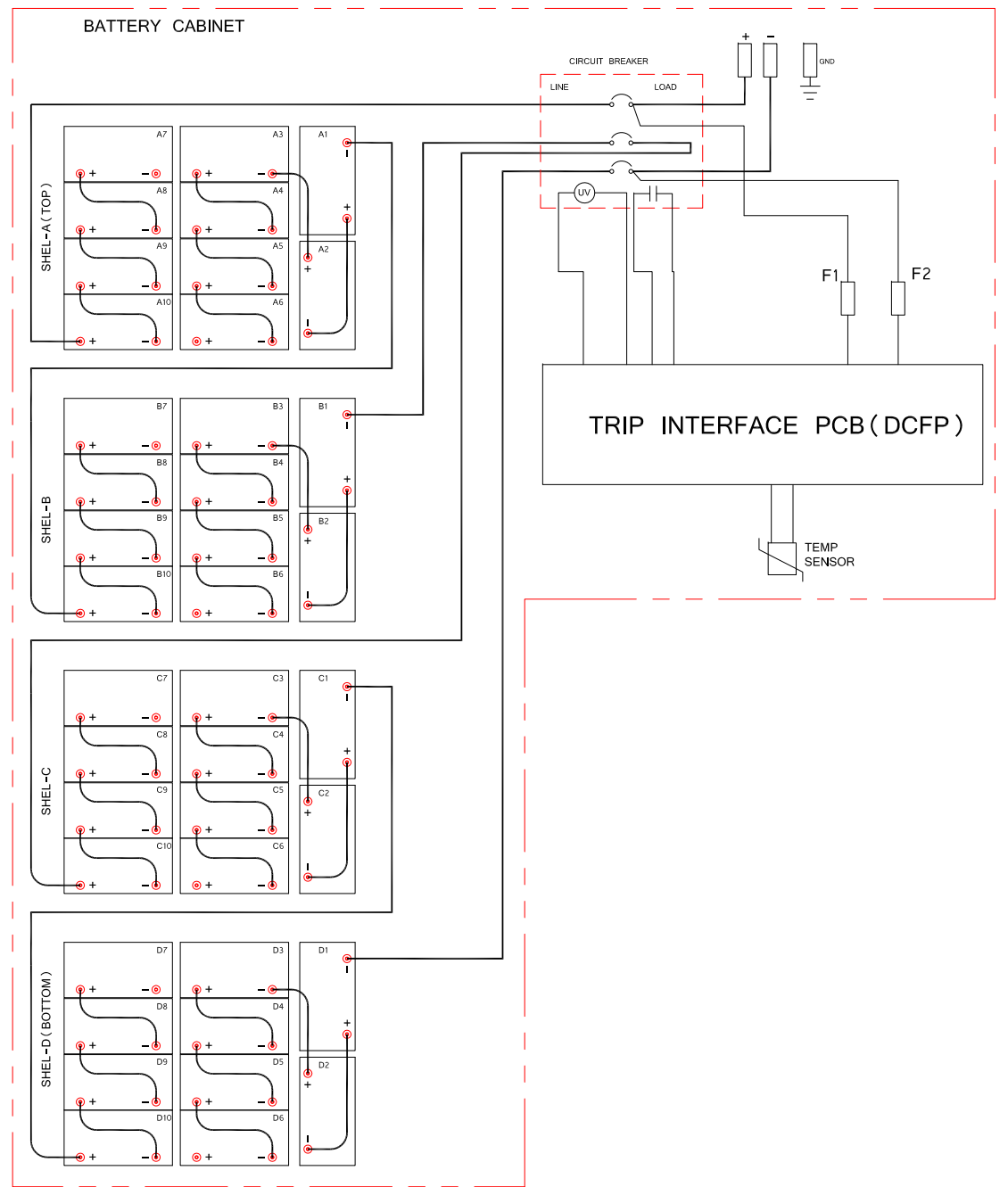
Schneider Electric

| | | | | | | |
|-------------------|--------------|---|-----------|-----------------|------------|---|
| TITLE: | | Galaxy VX BATTERY CABINET Input: 480V, 3PH, 60Hz Output: 480V, 3PH, 60Hz INTERNAL DETAILS | DWG NO: | GVXCBC500K750GS | REV. | 1 |
| DRAWN BY: | | K.NAGENDRA | 02-JUN-16 | | THIRD | |
| ENGINEER: | | BRIAN KOCH | 02-JUN-16 | | ANGLE | |
| APPROVED BY: | | BRIAN KOCH | 02-JUN-16 | | PROJECTION | |
| PROJECT: DRAWINGS | SHEET 4 OF 5 | | | | | |

| BATTERY CABINET SKU NUMBERS | Total Weight | |
|--------------------------------|--------------|------|
| | lbs | kg |
| GVXCBC400P505 | 4810 | 2182 |
| GVXCBC400P540 | 4930 | 2236 |
| GVXCBC600P505 | 4810 | 2182 |
| GVXCBC600P540 | 4930 | 2236 |
| GVXCBC400E490 | 4690 | 2127 |
| GVXCBC400E540 | 4690 | 2127 |
| GVXCBC600E490 | 4690 | 2127 |
| GVXCBC600E540 | 4690 | 2127 |

| TRIP UNIT SETTINGS | |
|--------------------|------|
| CB RATINGS | Im |
| 400A | 2000 |
| 600A | 3000 |

| TORQUE SPECIFICATIONS | |
|-----------------------|-----------------------|
| M6 | 60 In-lbs (6.8 N-m) |
| 1/4_20 | 110 In-lbs (12.4 N-m) |



NOTES:

1. INSTALLATION SHALL COMPLY WITH ALL APPLICABLE NATIONAL, STATE AND LOCAL CODES.
2. REFER TO PRODUCT DOCUMENTATION FOR ADDITIONAL DETAILS PRIOR TO INSTALLATION AND SITE PREPARATION WORK.
3. ALL DIMENSIONS ARE IN INCHES [MILLIMETERS].
4. REFER TO BATTERY INSTALLATION MANUAL FOR CABLING DETAILS.

THIS DRAWING AND SPECIFICATIONS HEREIN ARE THE PROPERTY OF SCHNEIDER ELECTRIC AND SHALL NOT BE COPIED, REPRODUCED OR USED IN WHOLE OR IN PART, AS THE BASIS FOR THE MANUFACTURE OR SALE OF ITEMS WITHOUT WRITTEN PERMISSION FROM SCHNEIDER ELECTRIC. THIS DRAWING IS BASED UPON LATEST AVAILABLE INFORMATION AND IS SUBJECT TO CHANGE WITHOUT NOTICE.



TITLE: Galaxy VX
BATTERY CABINET
Input: 480V, 3PH, 60Hz
Output: 480V, 3PH, 60Hz
INTERNAL DETAILS

DWG NO: GVXCBC500K750GS

REV. 1

DRAWN BY: K.NAGENDRA 02-JUN-16

THIRD

ENGINEER: BRIAN KOCH 02-JUN-16

ANGLE

APPROVED BY: BRIAN KOCH 02-JUN-16

PROJECTION

PROJECT: DRAWINGS

SHEET 5 OF 5